

Data Sheet

PT115xxVBBN

Page 1/5

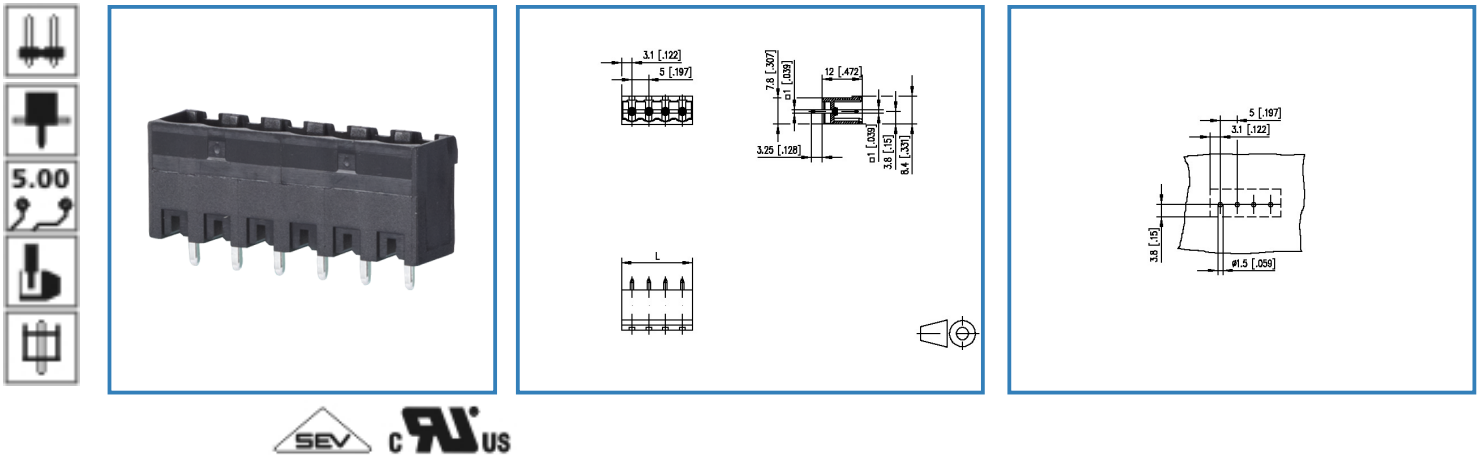
P/N

313201xx

xx=number of poles

2017/01/24

Illustration



see enlarged drawing at the end of the document

Product specification

- pin header, solderable
- centerline 5.00 mm, direction of connection vertical 0°
- closed ends
- color black
- codeable

Data Sheet

PT115xxVBBN

Page 2/5

P/N

313201xx

xx=number of poles



2017/01/24

Technical Data

General Data

| | | | |
|---------------------------|---------|--------|-------|
| Solder pin length | 3.25 mm | | |
| min. number of poles | 2 | | |
| max. number of poles | 24 | | |
| Insulating material class | CTI 600 | | |
| clearance/creepage dist. | 4 mm | | |
| protection category | IP 00 | | |
| Overvoltage category | III | III | II |
| Pollution degree | 3 | 2 | 2 |
| Rated voltage | 320 V | 800 V | 800 V |
| Rated test voltage | 4 kV | 4.0 kV | 4 kV |

Approvals

| | |
|--|---------------------------------------|
|  V / A | 300 / 15 |
|  | 13.5 A / 320 V / 4 kV / 3 / IEC 61984 |

Material

| | |
|-----------------------------|---------|
| insulating material | PA66 |
| flammability class | V0 |
| Glow-Wire Flammability GWFI | 960 |
| Glow-Wire Flammability GWIT | 775 |
| contact pin material | CuFe |
| contact pin surface | Ni + Ag |

Climatic properties

| | |
|-------------------------|--------|
| upper limit temperature | 105 °C |
| lower limit temperature | -40 °C |

General

| | |
|---------------|-------------------------------------|
| solderability | Acc. to JEDEC JESD22-B102E 245°C/5s |
| Tolerance | ISO 2768 -mH |

Data Sheet

PT115xxVBBN

Page 3/5

P/N

313201xx

xx=number of poles

2017/01/24

Matching Part to

| P/N | Product name |
|-------------|---------------------|
| 313131 | RP035xxHBLC Typ 313 |
| 313141 | RP035xxHBLD Typ 314 |
| 313491 | RP015xxVBLC Typ 349 |
| 313501 | RP015xxSBLC Typ 350 |
| ASP045 | SP045xxVBNC ASP045 |
| SP065XXVBNC | SP065xxVBNC |
| SP065XXVBPC | SP065xxVBPC |
| SP995XXVBNC | SP995xxVBNC |

Accessories

| P/N | Product name |
|--------------------------|---------------------|
| 700024-01-9 | 700024 |
| 700523-0157 (on request) | Geh_Kappe_swg_Block |
| 700523-0257 (on request) | Geh_Kappe_swg_Block |



Data Sheet

PT115xxVBBN

Page 4/5

P/N

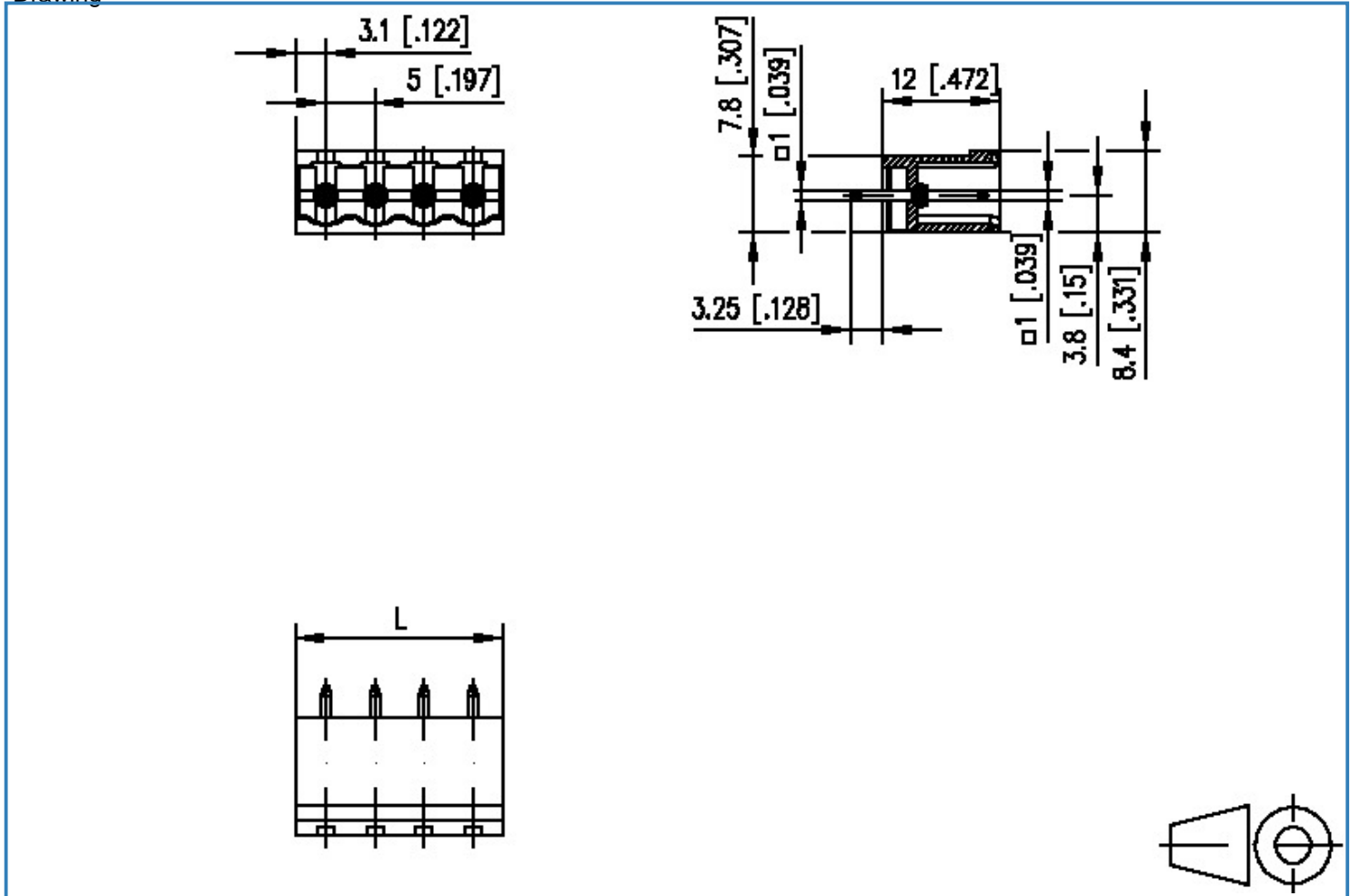
313201xx

xx=number of poles

2017/01/24

Illustration

Drawing



$$L = (\text{pole size} - 1) \times \text{centerline} + 6.2 [0.244]$$



Data Sheet

PT115xxVBBN

Page 5/5

P/N

313201xx

xx=number of poles

2017/01/24

PCB Layout

