

Data Sheet

SR213xxVBNC

Page 1/4

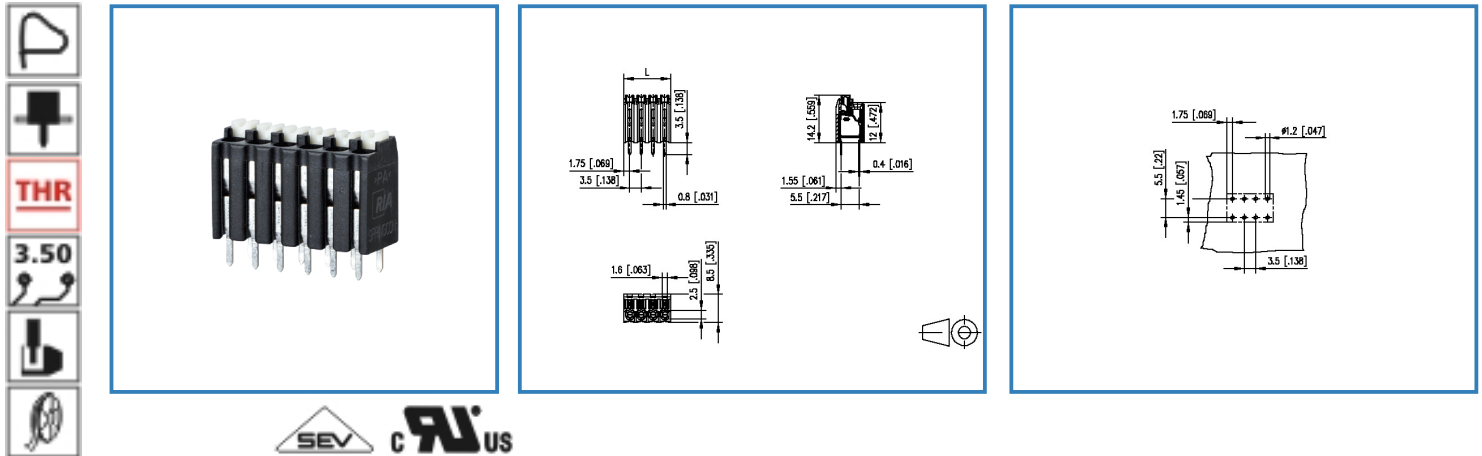
P/N

AST213xx

xx=number of poles

2013/12/05

Illustration



see enlarged drawing at the end of the document

Product specification

- spring clamp terminal block, THR solderable, double solder pins
- centerline 3.50 mm, direction of connection vertical 0°
- fittable without loss of poles
- color black
- Tape & Reel packaging
- push-button
- Connection data

cRUUS V / A / AWG 150 / 10 / 28 - 16

SEV 0.08 - 1.5mm² 130 V / 1.3 kV / 17.5 A



Data Sheet



SR213xxVBNC

Technical Data

General Data

Solder pin length	3.5 mm		
min. number of poles	2		
max. number of poles	12		
Insulating material class	CTI 600		
clearance/creepage dist.	2 mm		
protection category	IP 20		
Overvoltage category	III	III	II
Pollution degree	3	2	2
Rated voltage	160 V	400 V	400 V
Rated test voltage	2.5 kV	2.5 kV	2.5 kV
Min. insul. strip length	8.5 mm		

Connection data

 US V / A / AWG	150 / 10 / 28 - 16		
 0.08 - 1.5mm ²	130 V / 1.3 kV / 17.5 A		

Material

insulating material	PA66/6T
flammability class	V0

Climatic properties

upper limit temperature	105 °C
lower limit temperature	-40 °C

General

solderability	For THR products acc. to IPC/JEDEC J-STD-020D-MSL 1 For THT products max. 260 °C / 10 s
Tolerance	ISO 2768 -mH



Data Sheet

SR213xxVBNC

Page 3/4

P/N

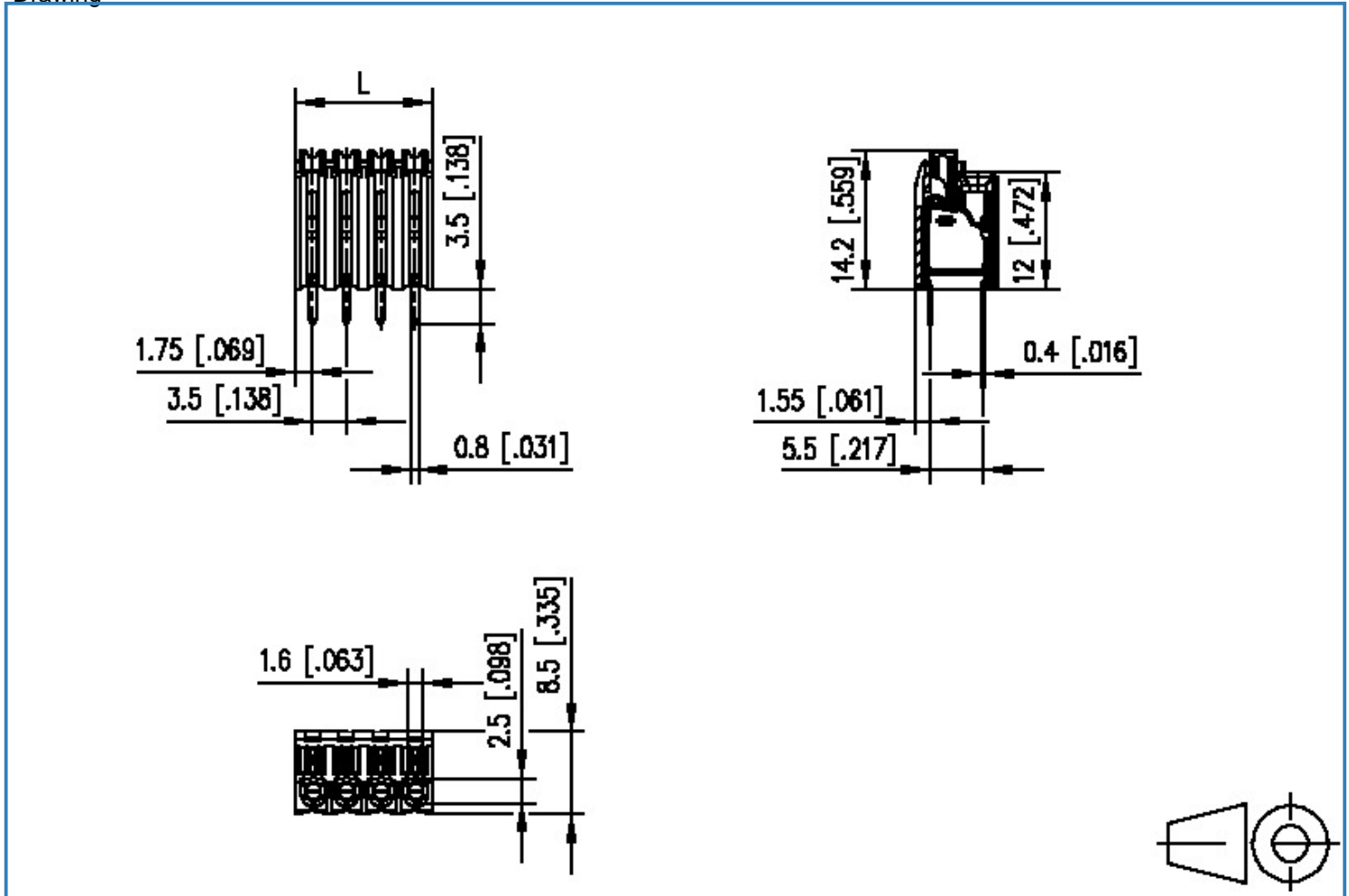
AST213xx

xx=number of poles

2013/12/05

Illustration

Drawing



$L = (\text{pole size} - 1) \times \text{centerline} + 3.5 [0.138]$



Data Sheet

SR213xxVBNC

Page 4/4

P/N

AST213xx

xx=number of poles

2013/12/05

PCB Layout

