

## P-Channel Enhancement Mode MOSFET

### Features

- 40V/-74A,  
 $R_{DS(ON)} = 8m\Omega$  (max.) @  $V_{GS} = -20V$   
 $R_{DS(ON)} = 9.4m\Omega$  (max.) @  $V_{GS} = -10V$   
 $R_{DS(ON)} = 15m\Omega$  (max.) @  $V_{GS} = -4.5V$
- HBM ESD capability level of 8KV typical
- 100% UIS +  $R_g$  Tested
- Reliable and Rugged
- Lead Free and Green Devices Available (RoHS Compliant)

**Note :** The diode connected between the gate and source serves only as protection against ESD. No gate overvoltage rating is implied.

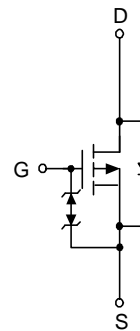
### Applications

- Power Management in LCD TV Inverter.

### Pin Description




Top View of TO-252-2



P-Channel MOSFET

### Ordering and Marking Information

<p>SM4027PS □□□-□□□</p> <ul style="list-style-type: none"> <li>□□□□ : Assembly Material</li> <li>□□□□ : Handling Code</li> <li>□□□□ : Temperature Range</li> <li>□□□□ : Package Code</li> </ul>	<p>Package Code          U : TO-252-2          Operating Junction Temperature Range          C : -55 to 150°C          Handling Code          TR : Tape &amp; Reel          Assembly Material          G : Halogen and Lead Free Device</p>
<p>SM4027PS U: </p>	<p>XXXXX - Lot Code</p>

Note : SINOPOWER lead-free products contain molding compounds/die attach materials and 100% matte tin plate termination finish; which are fully compliant with RoHS. SINOPOWER lead-free products meet or exceed the lead-free requirements of IPC/JEDEC J-STD-020D for MSL classification at lead-free peak reflow temperature. SINOPOWER defines "Green" to mean lead-free (RoHS compliant) and halogen free (Br or Cl does not exceed 900ppm by weight in homogeneous material and total of Br and Cl does not exceed 1500ppm by weight).

SINOPOWER reserves the right to make changes to improve reliability or manufacturability without notice, and advise customers to obtain the latest version of relevant information to verify before placing orders.

## Absolute Maximum Ratings

Symbol	Parameter		Rating	Unit
$V_{DSS}$	Drain-Source Voltage		-40	V
$V_{GSS}$	Gate-Source Voltage		$\pm 25$	
$I_D^a$	Continuous Drain Current ( $V_{GS}=-10V$ )	$T_A=25^\circ C$	-20	A
		$T_A=70^\circ C$	-16	
$I_{DP}^a$	300 $\mu s$ Pulsed Drain Current Tested	$T_A=25^\circ C$	-81	
$I_D^c$	Continuous Drain Current ( $V_{GS}=-10V$ )	$T_C=25^\circ C$	-74	
		$T_C=100^\circ C$	-47	
$I_{DP}^c$	300 $\mu s$ Pulsed Drain Current Tested	$T_C=25^\circ C$	-298	
$I_S^c$	Diode Continuous Forward Current		-37	
$I_{AS}^b$	Avalanche Current, Single pulse	$L=0.5mH$	-25	
$E_{AS}^b$	Avalanche Energy, Single pulse	$L=0.5mH$	156	mJ
$T_J$	Maximum Junction Temperature		150	$^\circ C$
$T_{STG}$	Storage Temperature Range		-55 to 150	
$P_D^a$	Maximum Power Dissipation	$T_A=25^\circ C$	6.3	W
		$T_A=70^\circ C$	4.0	
$P_D^c$	Maximum Power Dissipation	$T_C=25^\circ C$	83	
		$T_C=100^\circ C$	33	
$R_{\theta JA}^a$	Thermal Resistance-Junction to Ambient	$t \leq 10s$	20	$^\circ C/W$
		Steady State	60	
$R_{\theta JC}^c$	Thermal Resistance-Junction to Case	Steady State	1.5	

Note a : Surface Mounted on 1in<sup>2</sup> pad area,  $t \leq 10sec$ .  $R_{\theta JA}$  steady state  $t = 999s$ .

Note b : UIS tested and pulse width limited by maximum junction temperature 150 $^\circ C$  (initial temperature  $T_j=25^\circ C$ ).

Note c : The power dissipation  $P_D$  is based on  $T_{J(MAX)} = 150^\circ C$ , and it is useful for reducing junction-to-case thermal resistance ( $R_{\theta JC}$ ) when additional heat sink is used.

**Electrical Characteristics** ( $T_A = 25^\circ\text{C}$  unless otherwise noted)

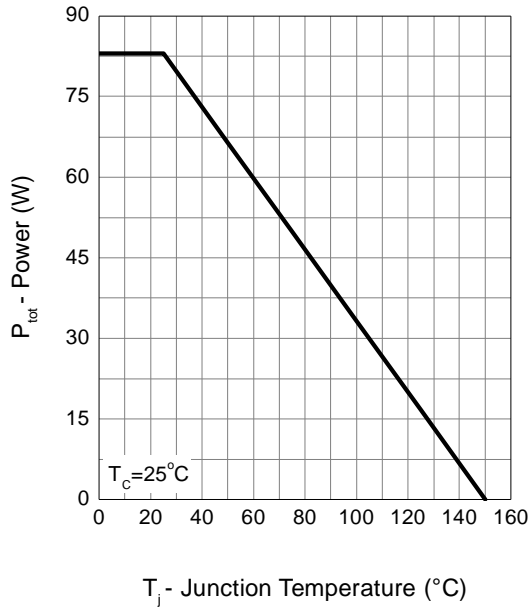
Symbol	Parameter	Test Conditions	Min.	Typ.	Max.	Unit
<b>Static Characteristics</b>						
$BV_{DSS}$	Drain-Source Breakdown Voltage	$V_{GS}=0V, I_{DS}=-250\mu A$	-40	-	-	V
$I_{DSS}$	Zero Gate Voltage Drain Current	$V_{DS}=-32V, V_{GS}=0V$	-	-	-1	$\mu A$
		$T_J=85^\circ C$	-	-	-30	
$V_{GS(th)}$	Gate Threshold Voltage	$V_{DS}=V_{GS}, I_{DS}=-250\mu A$	-1.5	-2	-2.5	V
$I_{GSS}$	Gate Leakage Current	$V_{GS}=\pm 20V, V_{DS}=0V$	-	-	$\pm 10$	$\mu A$
$R_{DS(ON)}^d$	Drain-Source On-state Resistance	$V_{GS}=-20V, I_{DS}=-25A$	-	6.6	8	m $\Omega$
		$V_{GS}=-10V, I_{DS}=-25A$	-	7.5	9.4	
		$V_{GS}=-4.5V, I_{DS}=-15A$	-	11	15	
<b>Diode Characteristics</b>						
$V_{SD}^d$	Diode Forward Voltage	$I_{SD}=-1A, V_{GS}=0V$	-	-0.75	-1	V
$t_{rr}$	Reverse Recovery Time	$I_{SD}=-25A, dI_{SD}/dt=100A/\mu s$	-	23	-	ns
$Q_{rr}$	Reverse Recovery Charge		-	10	-	nC
<b>Dynamic Characteristics<sup>e</sup></b>						
$R_G$	Gate Resistance	$V_{GS}=0V, V_{DS}=0V, F=1MHz$	-	3.8	7.6	$\Omega$
$C_{iss}$	Input Capacitance	$V_{GS}=0V,$ $V_{DS}=-20V,$ Frequency=1.0MHz	-	2780	3614	pF
$C_{oss}$	Output Capacitance		-	426	-	
$C_{rss}$	Reverse Transfer Capacitance		-	331	-	
$t_{d(ON)}$	Turn-on Delay Time	$V_{DD}=-20V, R_L=20\Omega,$ $I_{DS}=-1A, V_{GEN}=-10V,$ $R_G=6\Omega$	-	17	31	ns
$t_r$	Turn-on Rise Time		-	14	25	
$t_{d(OFF)}$	Turn-off Delay Time		-	59	106	
$t_f$	Turn-off Fall Time		-	22	40	
<b>Gate Charge Characteristics<sup>e</sup></b>						
$Q_g$	Total Gate Charge	$V_{DS}=-20V, V_{GS}=-10V,$ $I_{DS}=-25A$	-	59	83	nC
$Q_{gs}$	Gate-Source Charge		-	8	-	
$Q_{gd}$	Gate-Drain Charge		-	16	-	

Note d : Pulse test; pulse width $\leq 300\mu s$ , duty cycle $\leq 2\%$ .

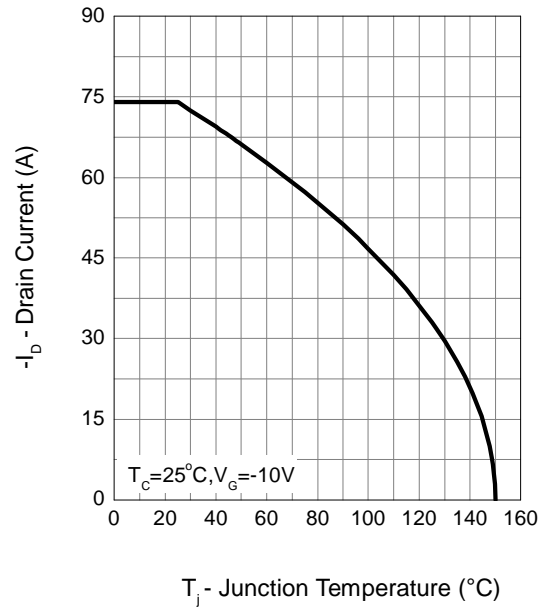
Note e : Guaranteed by design, not subject to production testing.

### Typical Operating Characteristics

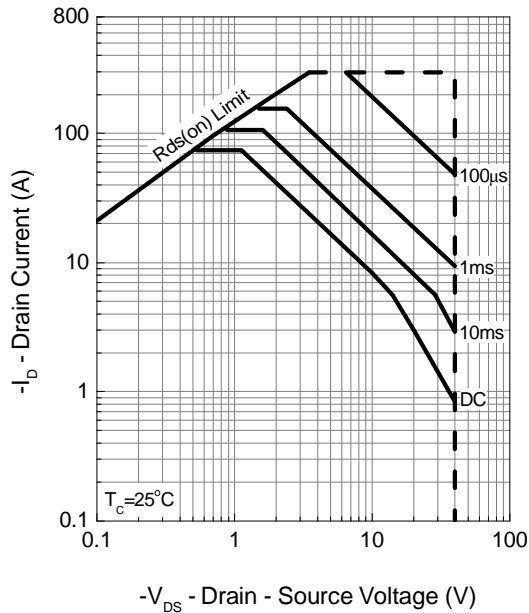
Power Dissipation



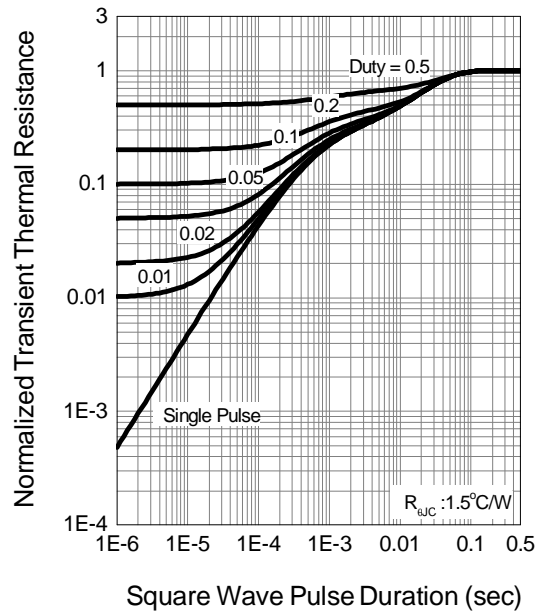
Drain Current



Safe Operation Area

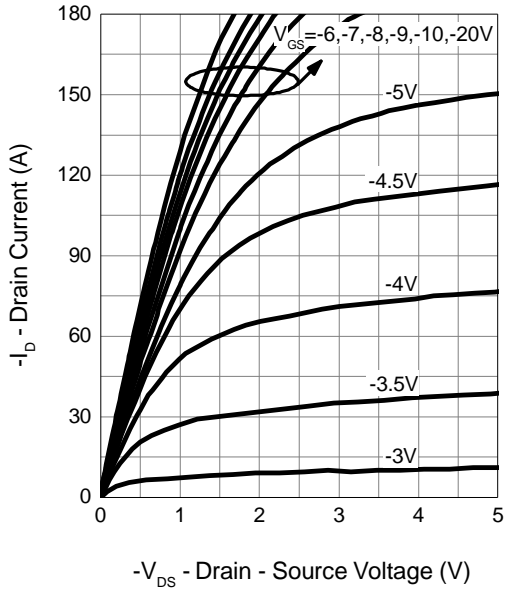


Thermal Transient Impedance

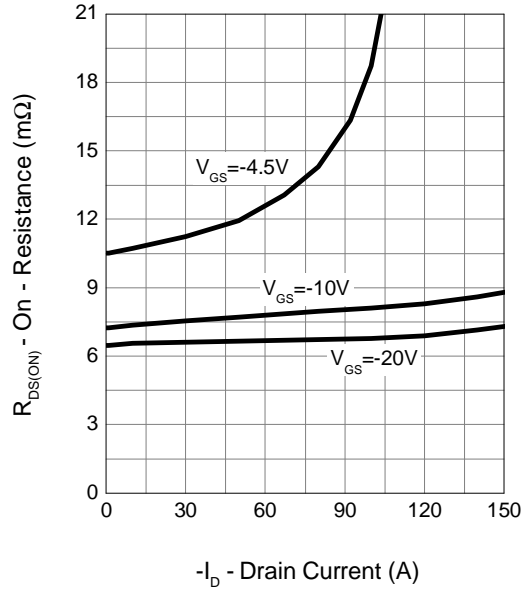


Typical Operating Characteristics (Cont.)

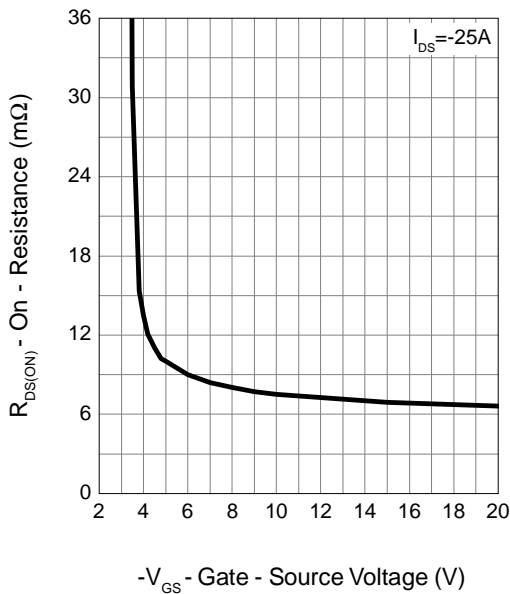
Output Characteristics



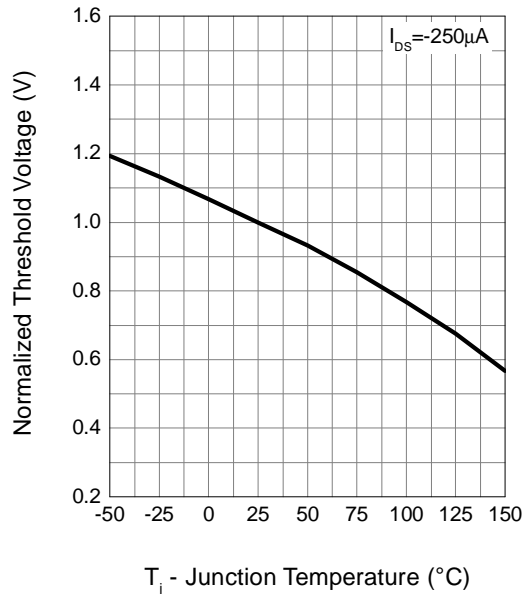
Drain-Source On Resistance



Gate-Source On Resistance

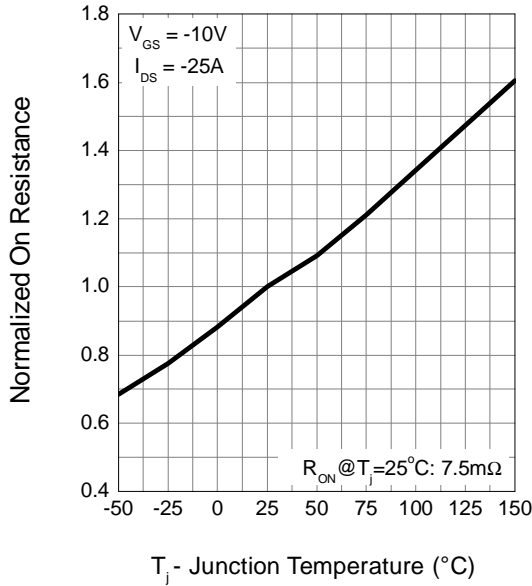


Gate Threshold Voltage

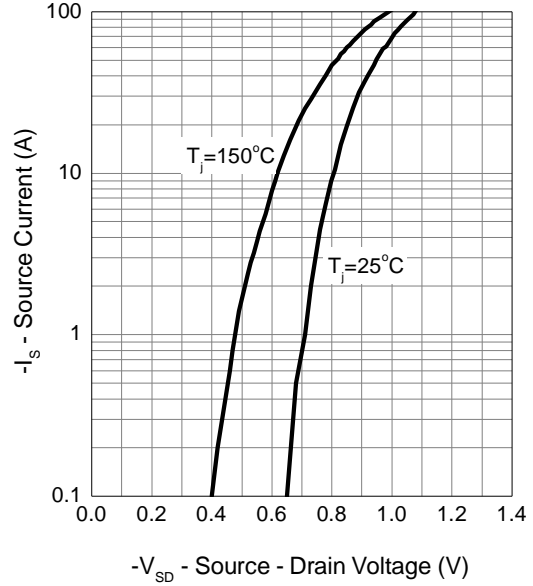


Typical Operating Characteristics (Cont.)

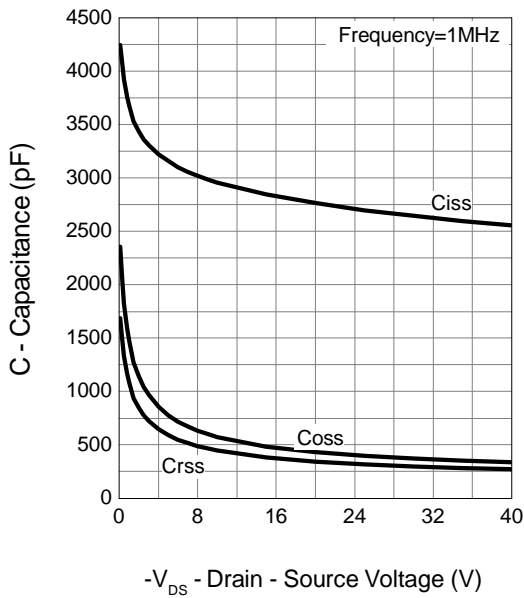
Drain-Source On Resistance



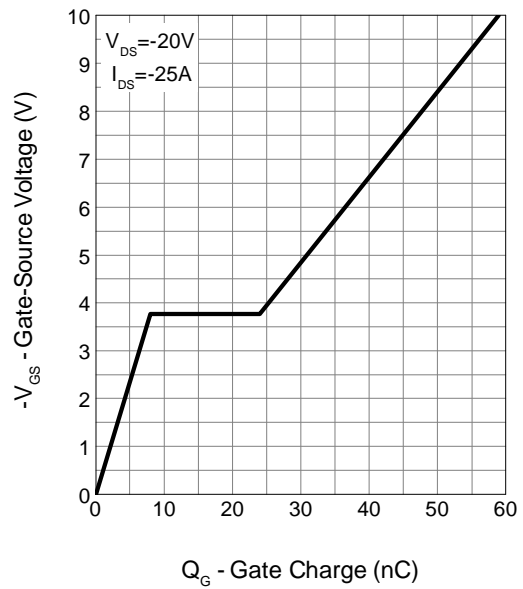
Source-Drain Diode Forward



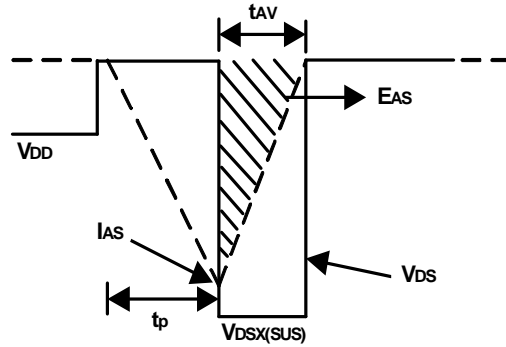
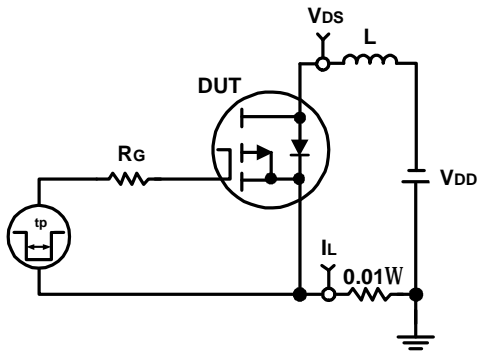
Capacitance



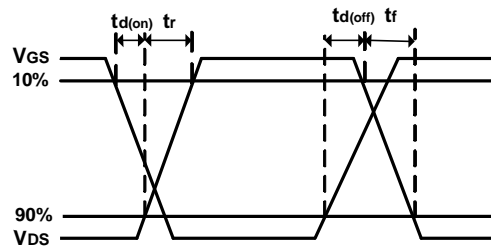
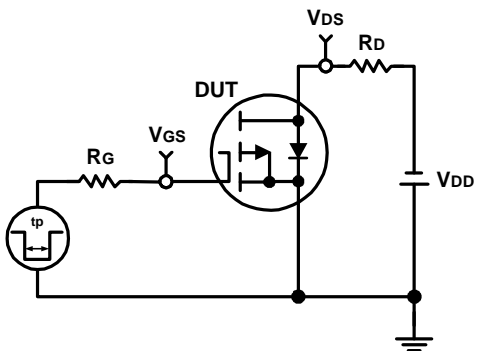
Gate Charge



**Avalanche Test Circuit and Waveforms**



**Switching Time Test Circuit and Waveforms**



## Disclaimer

Sinopower Semiconductor, Inc. (hereinafter “Sinopower”) has been making great efforts to development high quality and better performance products to satisfy all customers’ needs. However, a product may fail to meet customer’s expectation or malfunction for various situations.

All information which is shown in the datasheet is based on Sinopower’s research and development result, therefore, Sinopower shall reserve the right to adjust the content and monitor the production.

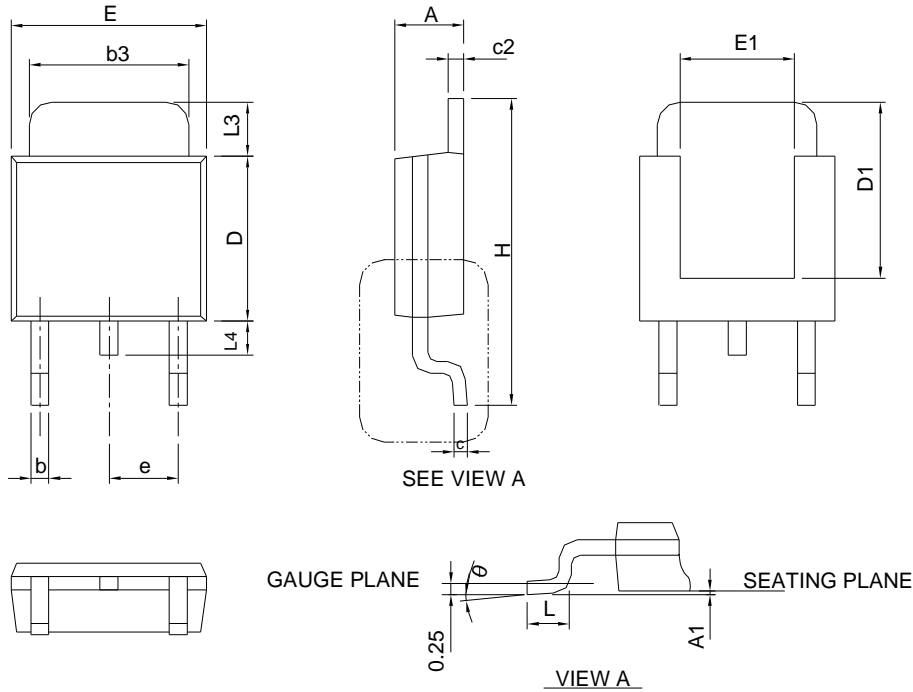
In order to unify the quality and performance, Sinopower has been following JEDEC while defines assembly rule. Notwithstanding all the suppliers basically follow the rule for each product, different processes may cause slightly different results.

The technical information specified herein is intended only to show the typical functions of and examples of application circuits for the products. Sinopower does not grant customers explicitly or implicitly, any license to use or exercise intellectual property or other rights held by Sinopower and other parties. Sinopower shall bear no responsible whatsoever for any dispute arising from the use of such technical information.

The products are not designed or manufactured to be used with any equipment, device or system which requires an extremely high level of reliability, such as the failure or malfunction of which any may result in a direct threat to human life or a risk of human injury. Sinopower shall bear no responsibility in any way for use of any of the products for the above special purposes. If a product is intended to use for any such special purpose, such as vehicle, military, or medical controller relevant applications, please contact Sinopower sales representative before purchasing.

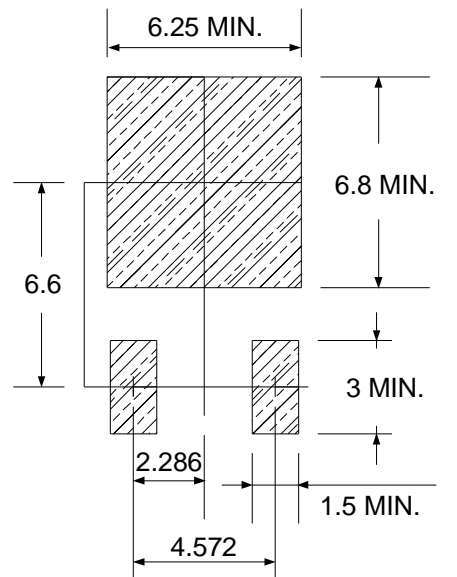


Package Information



SYMBOL	TO-252-2			
	MILLIMETERS		INCHES	
	MIN.	MAX.	MIN.	MAX.
A	2.18	2.39	0.086	0.094
A1	-	0.13	-	0.005
b	0.50	0.89	0.020	0.035
b3	4.95	5.46	0.195	0.215
c	0.46	0.61	0.018	0.024
c2	0.46	0.89	0.018	0.035
D	5.33	6.22	0.210	0.245
D1	4.57	6.00	0.180	0.236
E	6.35	6.73	0.250	0.265
E1	3.81	6.00	0.150	0.236
e	2.29 BSC		0.090 BSC	
H	9.40	10.41	0.370	0.410
L	0.90	1.78	0.035	0.070
L3	0.89	2.03	0.035	0.080
L4	-	1.02	-	0.040
$\theta$	0°	8°	0°	8°

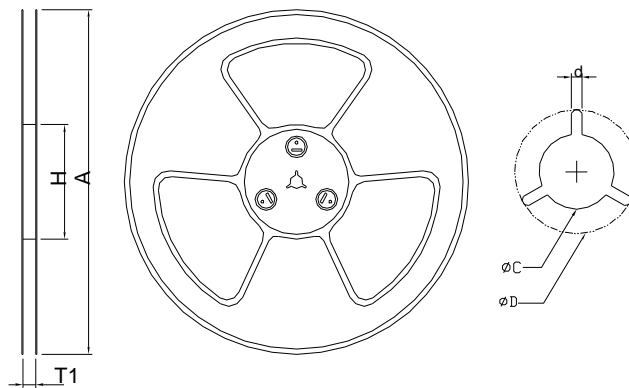
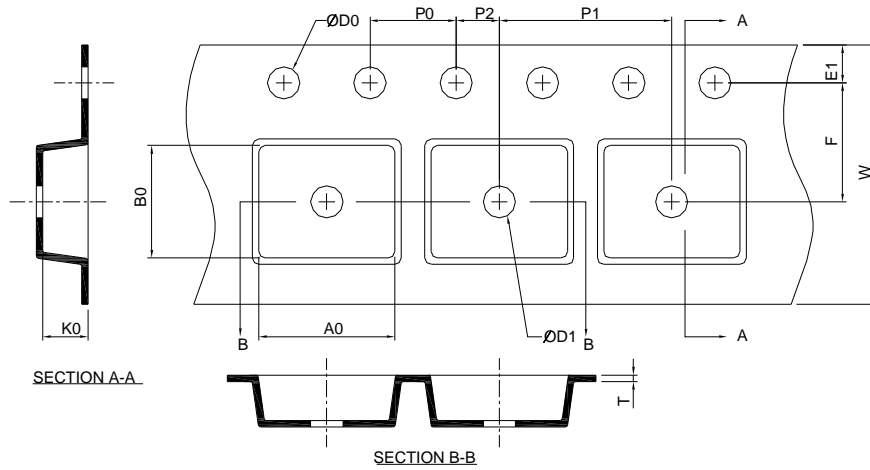
RECOMMENDED LAND PATTERN



UNIT: mm

Note : Follow JEDEC TO-252 .

## Carrier Tape & Reel Dimensions

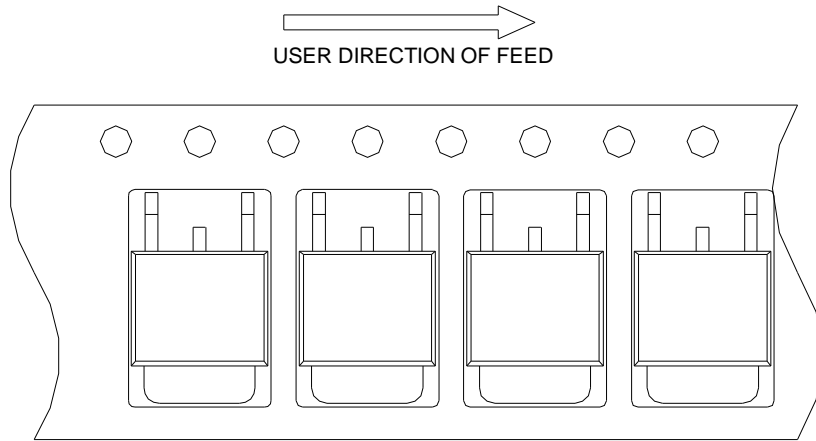


Application	A	H	T1	C	d	D	W	E1	F
TO-252-2	330.0±2.00	50 MIN.	16.4+2.00 -0.00	13.0+0.50 -0.20	1.5 MIN.	20.2 MIN.	16.0±0.30	1.75±0.10	7.50±0.05
	<b>P0</b>	<b>P1</b>	<b>P2</b>	<b>D0</b>	<b>D1</b>	<b>T</b>	<b>A0</b>	<b>B0</b>	<b>K0</b>
	4.0±0.10	8.0±0.10	2.0±0.05	1.5+0.10 -0.00	1.5 MIN.	0.6+0.00 -0.40	6.80±0.20	10.40±0.20	2.50±0.20

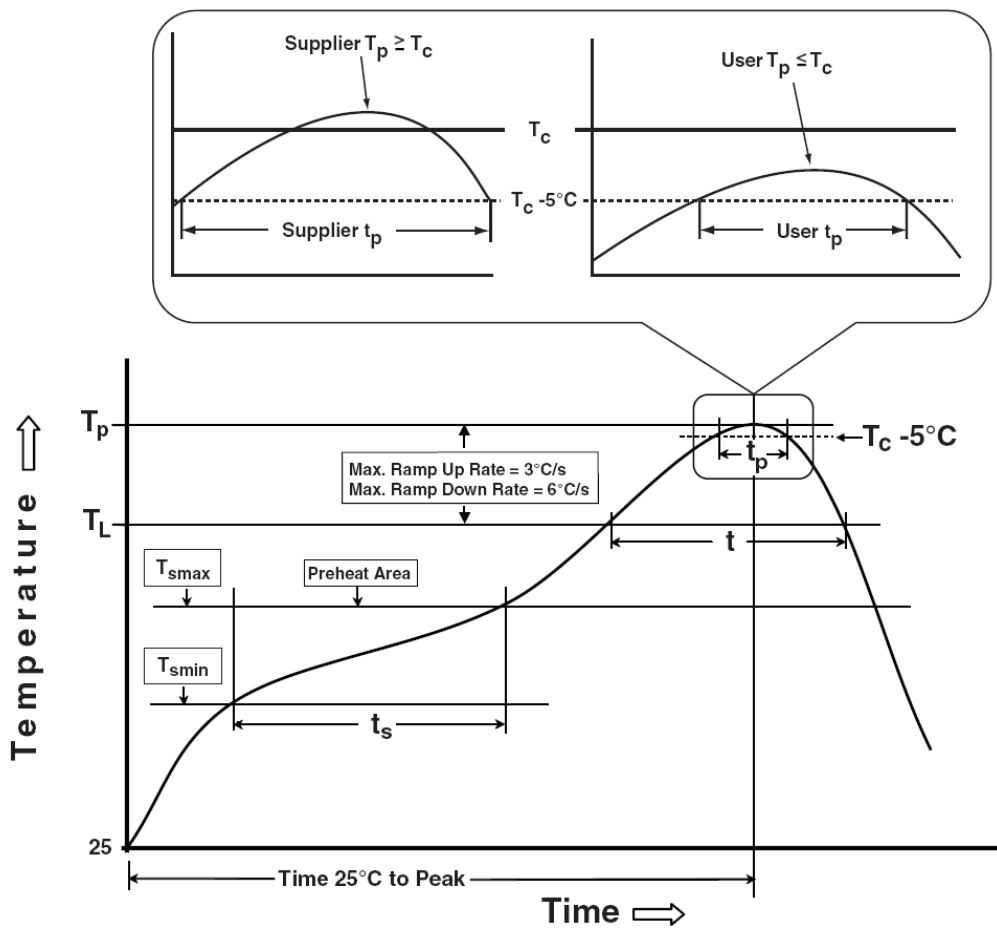
(mm)

## Taping Direction Information

TO-252-2



## Classification Profile



## Classification Reflow Profiles

Profile Feature	Sn-Pb Eutectic Assembly	Pb-Free Assembly
<b>Preheat &amp; Soak</b>		
Temperature min ( $T_{smin}$ )	100 °C	150 °C
Temperature max ( $T_{smax}$ )	150 °C	200 °C
Time ( $T_{smin}$ to $T_{smax}$ ) ( $t_s$ )	60-120 seconds	60-120 seconds
Average ramp-up rate ( $T_{smax}$ to $T_p$ )	3 °C/second max.	3°C/second max.
Liquidous temperature ( $T_L$ )	183 °C	217 °C
Time at liquidous ( $t_L$ )	60-150 seconds	60-150 seconds
Peak package body Temperature ( $T_p$ )*	See Classification Temp in table 1	See Classification Temp in table 2
Time ( $t_p$ )** within 5°C of the specified classification temperature ( $T_c$ )	20** seconds	30** seconds
Average ramp-down rate ( $T_p$ to $T_{smax}$ )	6 °C/second max.	6 °C/second max.
Time 25°C to peak temperature	6 minutes max.	8 minutes max.
* Tolerance for peak profile Temperature ( $T_p$ ) is defined as a supplier minimum and a user maximum.		
** Tolerance for time at peak profile temperature ( $t_p$ ) is defined as a supplier minimum and a user maximum.		

Table 1. SnPb Eutectic Process – Classification Temperatures ( $T_c$ )

Package Thickness	Volume mm <sup>3</sup> <350	Volume mm <sup>3</sup> ≥350
<2.5 mm	235 °C	220 °C
≥2.5 mm	220 °C	220 °C

Table 2. Pb-free Process – Classification Temperatures ( $T_c$ )

Package Thickness	Volume mm <sup>3</sup> <350	Volume mm <sup>3</sup> 350-2000	Volume mm <sup>3</sup> >2000
<1.6 mm	260 °C	260 °C	260 °C
1.6 mm – 2.5 mm	260 °C	250 °C	245 °C
≥2.5 mm	250 °C	245 °C	245 °C

## Reliability Test Program

Test item	Method	Description
SOLDERABILITY	JESD-22, B102	5 Sec, 245°C
HTRB	JESD-22, A108	1000 Hrs, 80% of VDS max @ $T_{jmax}$
HTGB	JESD-22, A108	1000 Hrs, 100% of VGS max @ $T_{jmax}$
PCT	JESD-22, A102	168 Hrs, 100%RH, 2atm, 121°C
TCT	JESD-22, A104	500 Cycles, -65°C~150°C

## Customer Service

### Sinopower Semiconductor, Inc.

5F, No. 6, Dusing 1St Rd., Hsinchu Science Park,

Hsinchu, 30078, Taiwan

TEL: 886-3-5635818 Fax: 886-3-5635080