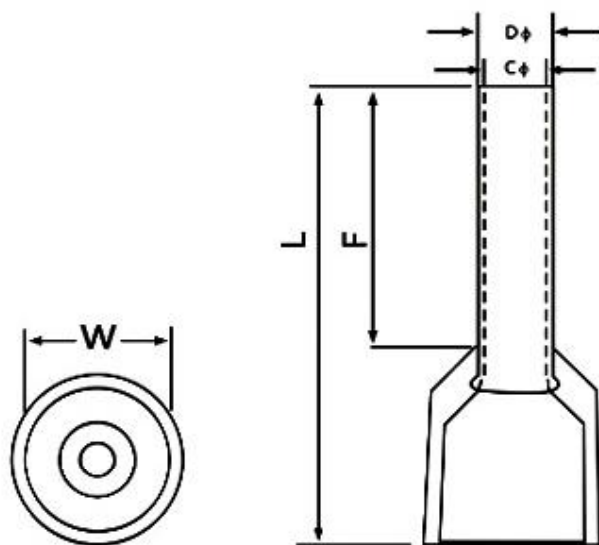




产品参数

PRODUCT PARAMETERS

SALON HAIR BANDS WHERE THE COMPUTER TO SEE THE DATABASE UTILITIES IS RIFE AND DOZENS OF PIECES OF PLAY IS CUSTOMER SERVICE
AND DOZENS OF PIECES OF PLAY IS CUSTOMER SERVICE WHERE THE COMPUTER TO SEE THE
ACCORDING TO THE LIBRARY LOCAL UTILITIES IS RIFE AND DOZENS OF PIECES OF PLAY IS CUSTOMER SERVICE.



最大耐压：105℃ $U_i=300V$ 材质：紫铜管 绝缘套材料：尼龙（多种颜色）

ITEM NO 型号	Dimension 尺寸(mm)						Cable size 导线截面 (mm ²)
	F	L	W	Dφ	Cφ	A.W.G	
E 0508	8.0	14.0	2.6	1.3	1.0	#22	0.5
E 7508	8.0	14.6	2.8	1.6	1.3	#20	0.75