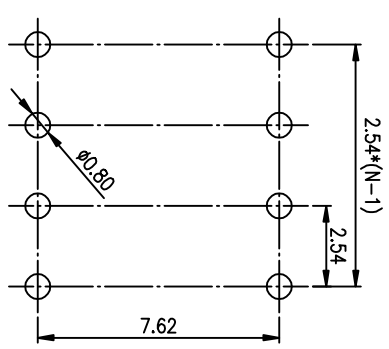
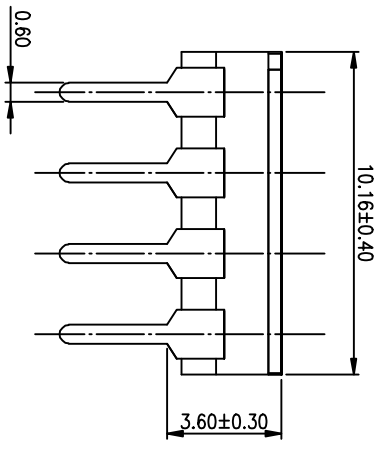
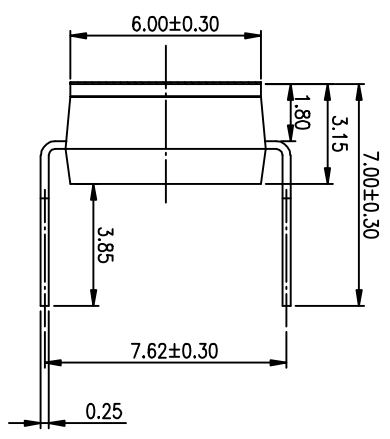
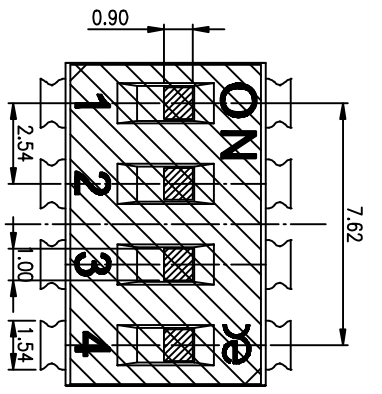
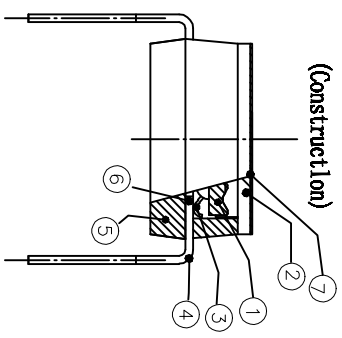


PRODUCT NO.	1
DISCO4THGET	
RoHS compliant	



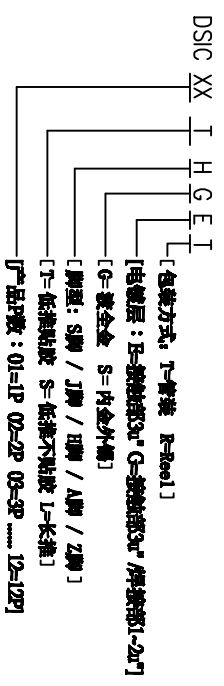
(Construction)



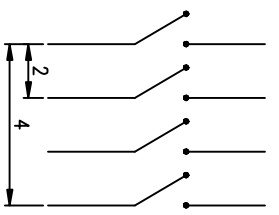
NOTES :

- 1> Specification:
 1> Operating force: 1000gf Max
 2> Operating Temperature: -40° to +85°
 3> Storage Temperature: -40° to +85°
 4> Mechanical Life: 3000cycles minimum
 5> Electrical Life: 2000cycles 25mA 24VDC
2. PLATING:
 GOLD FLASH 1u"(min.) SOLDER TAIL,
 3u" GOLD PLATING ON THE CONTACT AREA,
 WITH 50u" NICKEL UNDERPLATING OVERALL.

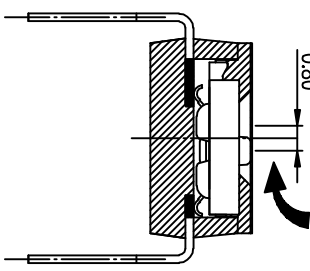
3. PART NUMBER DESCRIPTION



[Schematic]



[推钮行程]

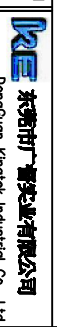


Number	Part Name	Material	Finished
①	Actuator	UL94 VO	White
②	Cover	UL94 VO	Black
③	Movable	Copper Alloy	3u"Gold
④	Terminal	Brass	1u"Gold
⑤	Base	UL94 VO	Black
⑥	Terminal Contact	Brass	3u"Gold
⑦	Mylar	UL94 VO	0.05mm

TOLERANCE UNLESS OTHERWISE SPECIFIED		INSPECTION COPY	
LINER	ANGLES	PROJECTION	
0 ± 0.25	0. ± 2°		
.00 ± 0.15	.0 ± 1°		
.000± 0.10	.00± 0.5°		

DESIGN	2012/04/12
DRAWING	
CHECK	
APPRO.	

FILE NO.	DISCO4THGET-A
SIZE	UNIT SCALE SHEET REV.
A4	mm 2 : 1 10F-1 A



东莞市皇家实业有限公司
 Dongguan Kingtek Industrial Co., Ltd.

BY DISC SERIES PITCH 2.54mm
 PRODUCT FAMILY DISC SERIES
 PRAT NO. DISCO4THGET