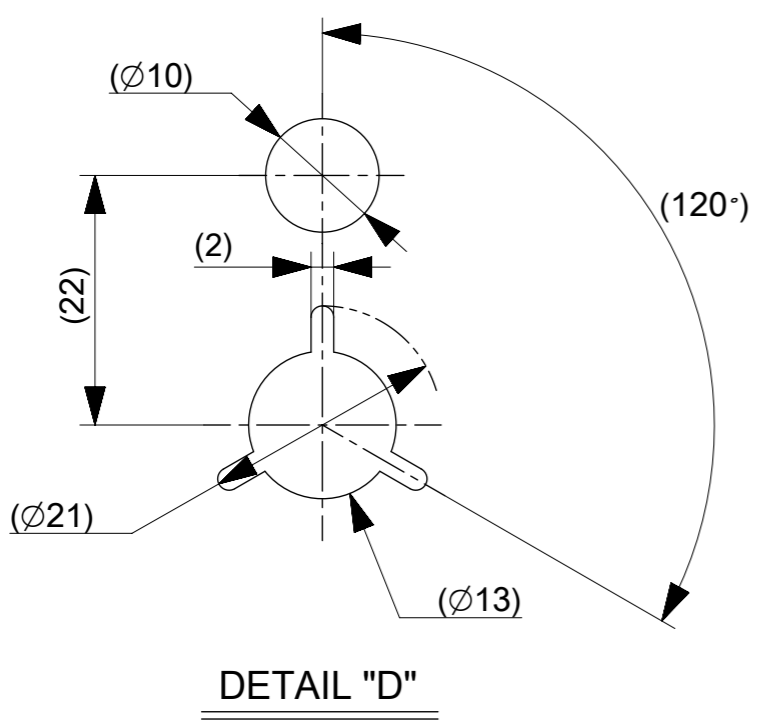
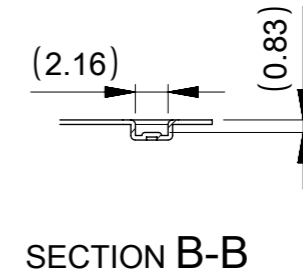
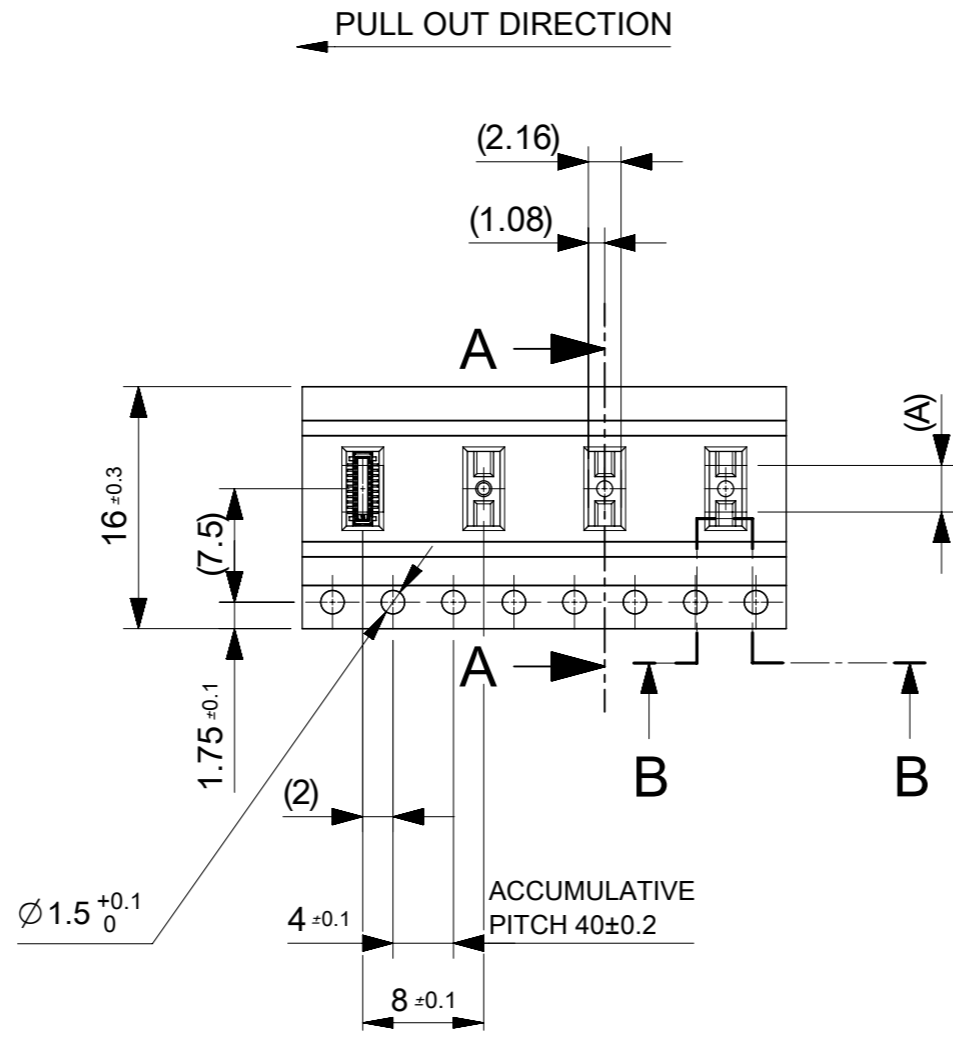
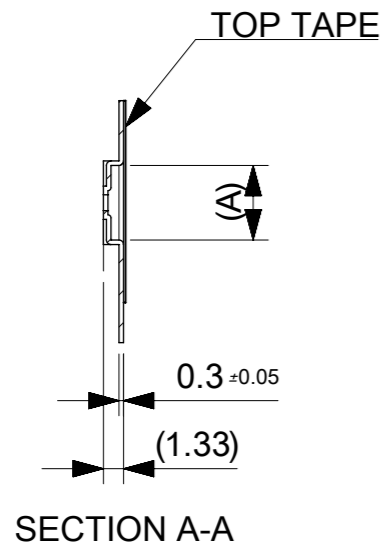


- NOTES**
- RE DETAILED DIMENSION, SEE PRODUCT DRAWING.
 - NUMBER OF CONNECTORS : 5000PCS/REEL
 - LEAD TAPE LENGTH
 - TOP TAPE PEEL FORCE IS DEFINED BY IEC60286-3.
 - MATERIAL
 CARRIER TAPE : POLYSTYRENE
 TOP TAPE : PET , OTHER
 REEL : POLYSTYRENE (PS) < RECYCLE MATERIAL CONTAINED >
 - ELV AND RoHS COMPLIANT



MODEL NO. 505274**40

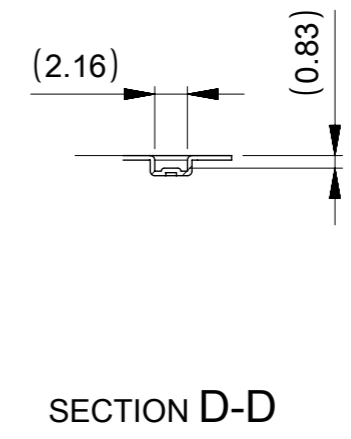
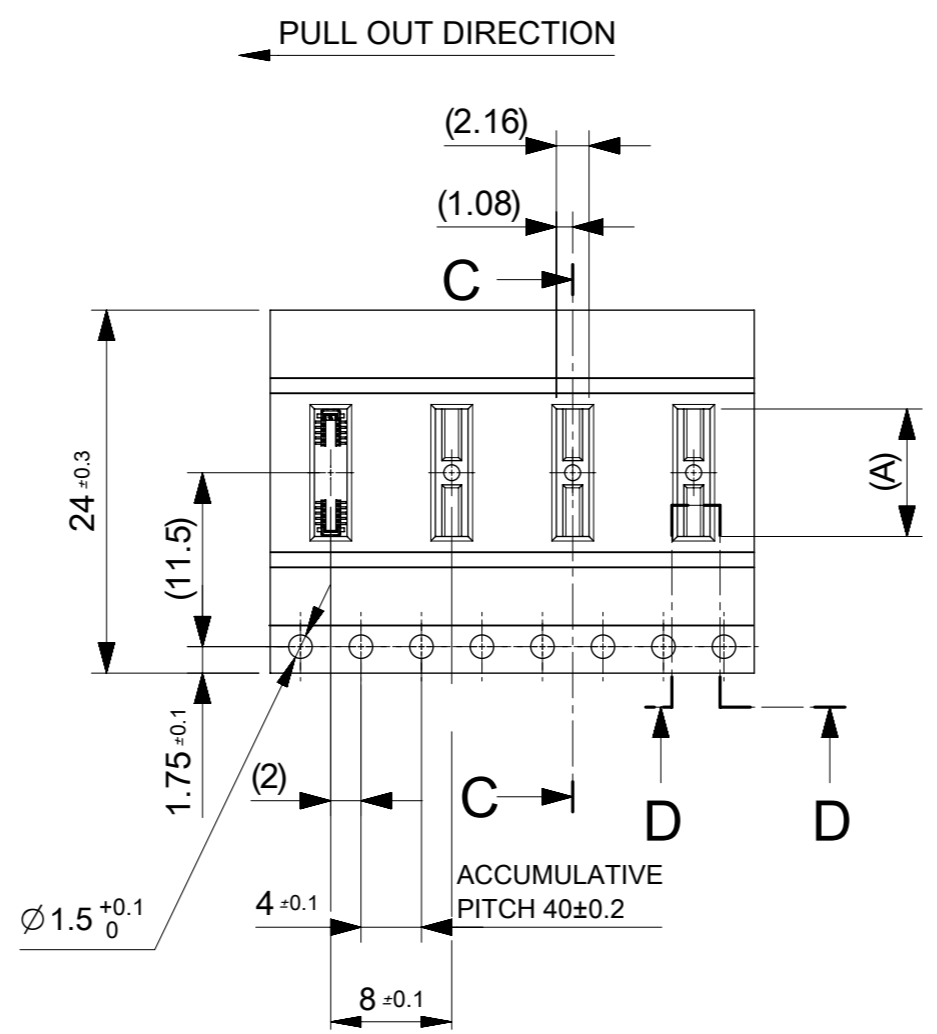
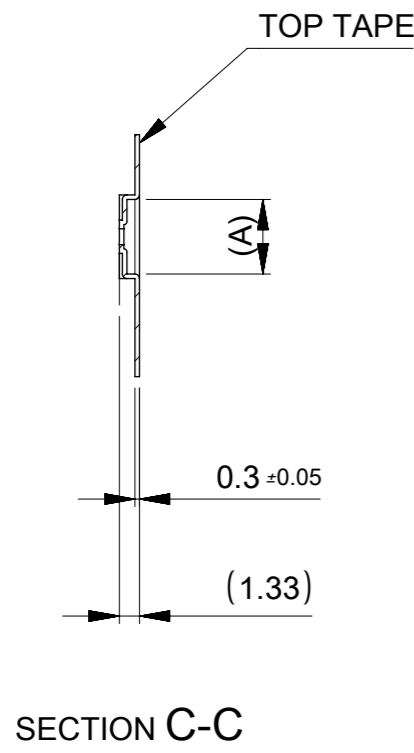
THIS DRAWING CONTAINS INFORMATION THAT IS PROPRIETARY TO MOLEX ELECTRONIC TECHNOLOGIES, LLC AND SHOULD NOT BE USED WITHOUT WRITTEN PERMISSION											
EC NO: 103765 DRWN: NOKIMOTO CHK'D: RTAKEUCHI APPR: KMORIKAWA	2016/03/22 2016/03/24 2016/03/25		GENERAL TOLERANCES (UNLESS SPECIFIED)		DIMENSION UNITS	SCALE	molex [®]				
			ANGULAR TOL ± 3.0 °		MM	1:1					
			4 PLACES	± 0.03	DRWN BY	DATE	0.35 BB H=0.8 SSB8RP PLUG EMBSTP PKG				
			3 PLACES	± 0.03	NOKIMOTO	2016/03/22					
			2 PLACES	± 0.05	CHK'D BY	DATE	PRODUCT CUSTOMER DRAWING				
		1 PLACE	± 0.1	RTAKEUCHI	2016/03/24						
		0 PLACES	± 0.2	APPR BY	DATE	SERIES MATERIAL NUMBER CUSTOMER					
		DRAFT WHERE APPLICABLE MUST REMAIN WITHIN DIMENSIONS		KMORIKAWA	2016/03/25				505274	SEE CHART	GENERAL
A		REV	A3		DRAWING SIZE	THIRD ANGLE PROJECTION	DOCUMENT NUMBER		DOC TYPE	DOC PART	SHEET NUMBER
							5052740000		PSD	001	1 OF 3



16	21.4	17.4	6.68	5052743040	○	---	30		
			5.63	5052742440	○	---	24		
			4.93	5052742040	○	---	20		
			4.23	5052741640	○	---	16		
			3.18	5052741040	○	---	10		
			2.48	5052740640	○	---	6		
キャリアテープ幅 CARRIER TAPE WIDTH			C	B	(A)	EMBOSSED TAPE PACKAGE	HIGH VOL. TOOL	LOW VOL. TOOL	CIRCUIT
ORDER NO.			SAMPLE PREPARATION ○:TOOLED △:WOOK IN PROCESS ---:TOOLING TO BE CONFIRMED						

THIS DRAWING CONTAINS INFORMATION THAT IS PROPRIETARY TO MOLEX ELECTRONIC TECHNOLOGIES, LLC AND SHOULD NOT BE USED WITHOUT WRITTEN PERMISSION

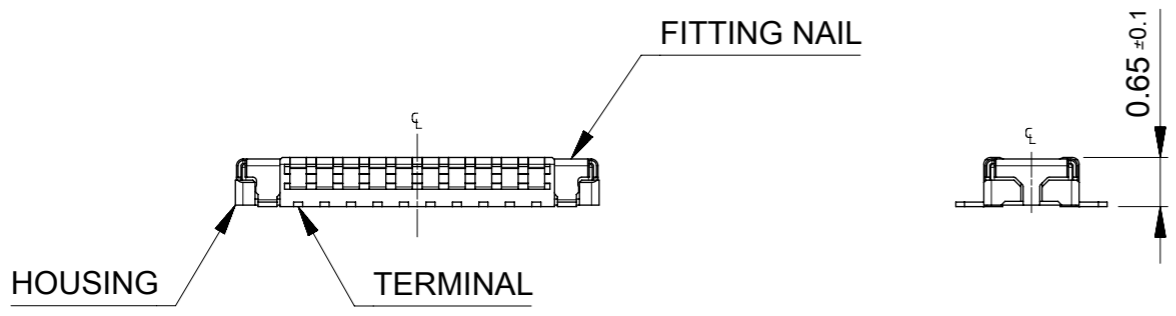
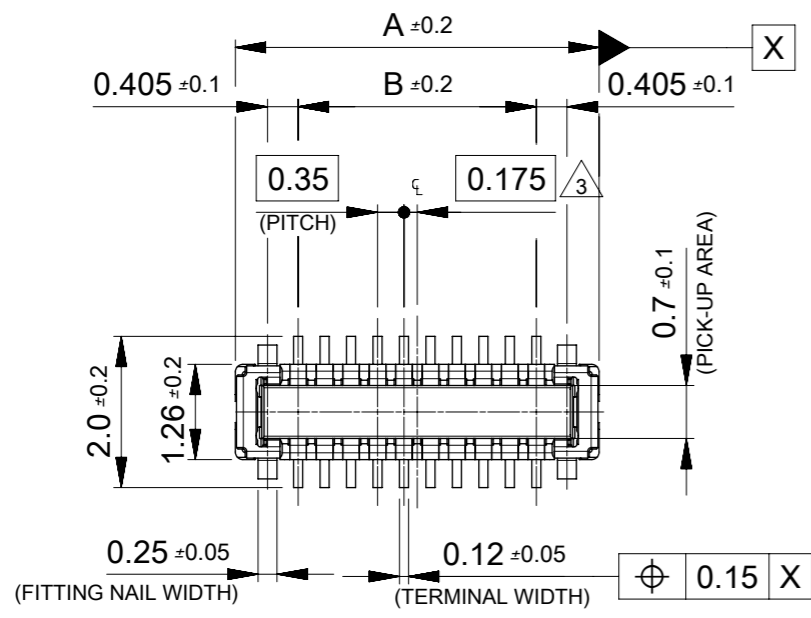
EC NO: 103765 DRWN: NOKIMOTO CHK'D: RTAKEUCHI APPR: KMORIKAWA	2016/03/22	GENERAL TOLERANCES (UNLESS SPECIFIED) ANGULAR TOL ± 3.0 ° 4 PLACES ± 0.03 3 PLACES ± 0.03 2 PLACES ± 0.05 1 PLACE ± 0.1 0 PLACES ± 0.2	DIMENSION UNITS	SCALE		
	2016/03/24		MM	2:1		
	2016/03/25		DRWN BY	DATE		NOKIMOTO 2016/03/22
			CHK'D BY	DATE		RTAKEUCHI 2016/03/24
			APPR BY	DATE		KMORIKAWA 2016/03/25
		DRAFT WHERE APPLICABLE MUST REMAIN WITHIN DIMENSIONS	DRAWING SIZE	THIRD ANGLE PROJECTION	PRODUCT CUSTOMER DRAWING SERIES: 505274 MATERIAL NUMBER: SEE CHART CUSTOMER: GENERAL	
A	REV		A3		DOCUMENT NUMBER: 5052740000 DOC TYPE: PSD DOC PART: 001 SHEET NUMBER: 2 OF 3	



24	29.4	25.4	10.88	5052745440	○	---	54		
			10.18	5052745040	---	○	50		
			9.13	5052744440	---	---	44		
			8.43	5052744040	○	---	40		
			7.38	5052743440	○	---	34		
			7.03	5052743240	---	---	32		
キャリアテープ幅 CARRIER TAPE WIDTH			C	B	(A)	EMBOSSED TAPE PACKAGE	HIGH VOL. TOOL	LOW VOL. TOOL	CIRCUIT
ORDER NO.			SAMPLE PREPARATION ○:TOOLED △:WOOK IN PROCESS ---:TOOLING TO BE CONFIRMED						

THIS DRAWING CONTAINS INFORMATION THAT IS PROPRIETARY TO MOLEX ELECTRONIC TECHNOLOGIES, LLC AND SHOULD NOT BE USED WITHOUT WRITTEN PERMISSION

EC NO: 103765 DRWN: NOKIMOTO CHK'D: RTAKEUCHI APPR: KMORIKAWA	2016/03/22	GENERAL TOLERANCES (UNLESS SPECIFIED) ANGULAR TOL ± 3.0 ° 4 PLACES ± 0.03 3 PLACES ± 0.03 2 PLACES ± 0.05 1 PLACE ± 0.1 0 PLACES ± 0.2 DRAFT WHERE APPLICABLE MUST REMAIN WITHIN DIMENSIONS	DIMENSION UNITS	SCALE					
	2016/03/24		MM	2:1					
	2016/03/25		DRWN BY	DATE	0.35 BB H=0.8 SSB8RP PLUG EMBSTP PKG				
			NOKIMOTO	2016/03/22					
			CHK'D BY	DATE	PRODUCT CUSTOMER DRAWING				
	RTAKEUCHI	2016/03/24							
	APPR BY	DATE	DRAWING SIZE		THIRD ANGLE PROJECTION	SERIES	MATERIAL NUMBER	CUSTOMER	
	KMORIKAWA	2016/03/25	A3			505274	SEE CHART	GENERAL	
						DOCUMENT NUMBER	DOC TYPE	DOC PART	SHEET NUMBER
						5052740000	PSD	001	3 OF 3



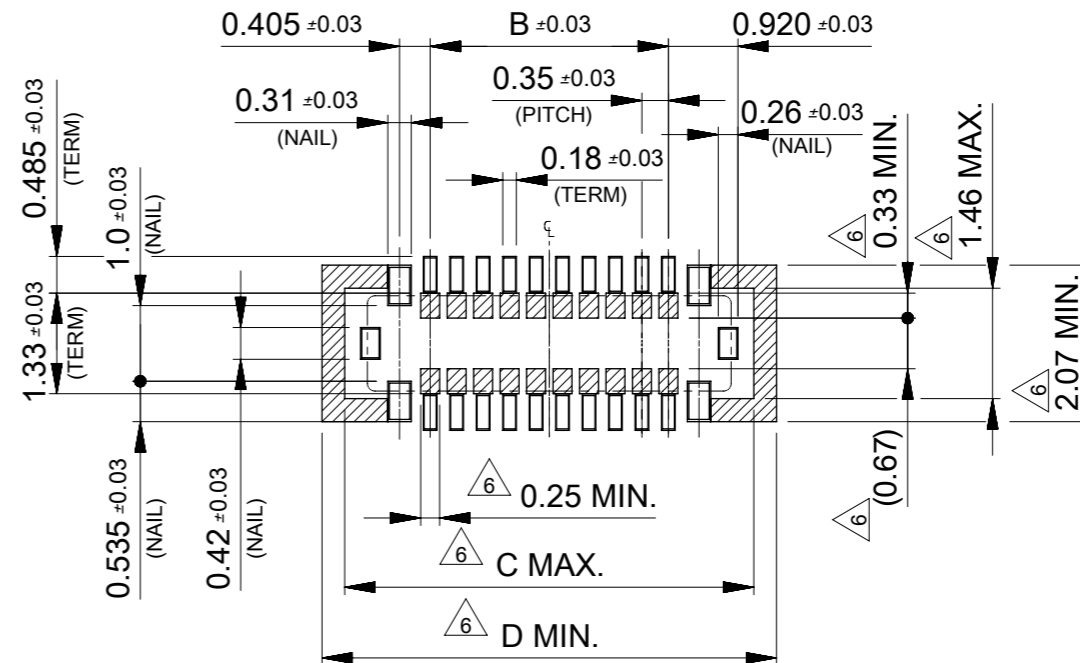
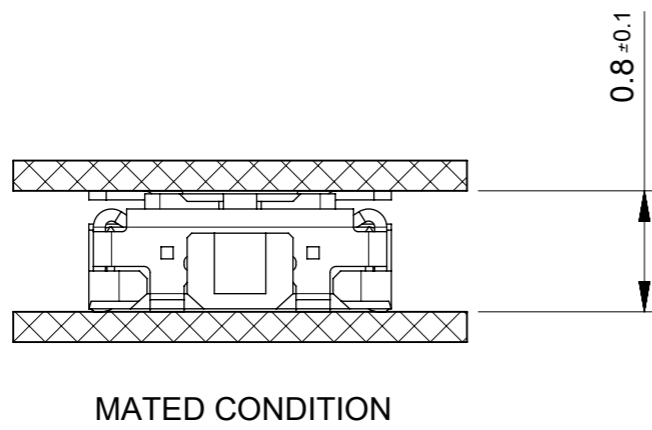
NOTES

1. MATERIAL
HOUSING : LIQUID CRYSTAL POLYMER UL94V-0 (COLOR : BLACK)
TERMINAL : COPPER ALLOY
FITTING NAIL : COPPER ALLOY
2. PLATING
TERMINAL :
GOLD
UNDER PLATING NICKEL
*DIVIDE INTO PARTS THE GOLD PLATING OF CONTACT
- FITTING NAIL :
GOLD(ONLY CONTACT AND TAIL PART)
UNDER PLATING NICKEL
*GOLD PLATING WILL BE DIVIDED THE CONTACT FROM THE TAIL PART BY THE NICKEL PLATING. THERE MAY BE SLIGHT DIFFERENCES IN THE OTHER PART COLORING. BUT THERE WILL BE NO INFLUENCE ON THE PRODUCT'S PAERFORMANCE.
- △3 APPLY FOR (CIRCUIT/2)=EVEN
4. MATE WITH : 505270**10
5. TAIL AND FITTING NAIL COPLANARITY TO BE 0.08MAXIMUM.
- △6 PROHIBITED AREA OF PATTERN WIRING AND SOLDER.
(FOR EACH AREA, THE WIRING THAT TOUCHES ON THE SOLDER CAN BE ATTACHED, THEN COVERED WITH A FILM TO KEEP SOLDER OUT.)
7. ELV and RoHS COMPLIANT.

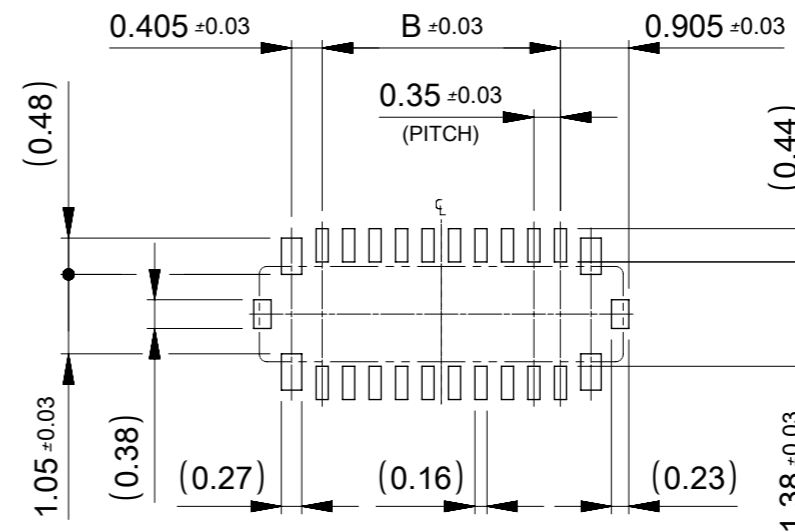
11.96	11.36	9.1	10.76	5052745440	○	---	54
11.26	10.66	8.4	10.06	5052745040	---	○	50
10.21	9.61	7.35	9.01	5052744440	---	---	44
9.51	8.91	6.65	8.31	5052744040	○	---	40
8.46	7.86	5.6	7.26	5052743440	○	---	34
8.11	7.51	5.25	6.91	5052743240	---	---	32
7.76	7.16	4.9	6.56	5052743040	○	---	30
6.71	6.11	3.85	5.51	5052742440	○	---	24
6.01	5.41	3.15	4.81	5052742040	○	---	20
5.31	4.71	2.45	4.11	5052741640	○	---	16
4.26	3.66	1.4	3.06	5052741040	○	---	10
3.56	2.96	0.7	2.36	5052740640	○	---	6
D	C	B	A	EMBOSSED TAPE PACKAGE	MASS PRODUCTION	LOW VOL. TOOL	CIRCUIT
ORDER No.				SMAPLE PREPARATION ○: TOOLED △: WORK IN PROCESS ---: TOOLING TO BE CONFIRMED			
CONNECTOR No. : 505274**39							

THIS DRAWING CONTAINS INFORMATION THAT IS PROPRIETARY TO MOLEX ELECTRONIC TECHNOLOGIES, LLC AND SHOULD NOT BE USED WITHOUT WRITTEN PERMISSION

REVISED	2016/09/14	DRWN: NOKIMOTO	GENERAL TOLERANCES (UNLESS SPECIFIED)	DIMENSION UNITS	SCALE				
	2016/09/14	CHK'D: RTAKEUCHI		MM	10:1				
	2016/09/14	APPR: KMORIKAWA		ANGULAR TOL ± 3.0 °	DRWN BY		DATE		
	EC NO: 108429			4 PLACES ± 0.03	NOKIMOTO		2016/03/22		
			3 PLACES ± 0.03	CHK'D BY	DATE	0.35 BB CONN. H=0.8 SSB8RP PLUG ASSY			
			2 PLACES ± 0.05	RTAKEUCHI	2016/03/24				
			1 PLACE ± 0.1	APPR BY	DATE				
			0 PLACES ± 0.2	KMORIKAWA	2016/03/25	PRODUCT CUSTOMER DRAWING			
			DRAFT WHERE APPLICABLE MUST REMAIN WITHIN DIMENSIONS	DRAWING SIZE	THIRD ANGLE PROJECTION	SERIES	MATERIAL NUMBER	CUSTOMER	
				A3		505274		GENERAL	
						DOCUMENT NUMBER	DOC TYPE	DOC PART	SHEET NUMBER
						5052741000	PSD	005	1 OF 2



RECOMMENDED P.W.B. BOARD PATTERN LAYOUT (REFERENCE)



RECOMMENDED METAL MASK LAYOUT (REFERENCE)

RECOMMENDED THICKNESS OF METAL MASK : t=0.08mm

RECOMMENDED OPEN APERTURE RATIO OF METAL MASK : 80%

THIS DRAWING CONTAINS INFORMATION THAT IS PROPRIETARY TO MOLEX ELECTRONIC TECHNOLOGIES, LLC AND SHOULD NOT BE USED WITHOUT WRITTEN PERMISSION

EC NO: 108429 DRWN: NOKIMOTO CHK'D: RTAKEUCHI APPR: KMORIKAWA	2016/09/14 2016/09/14 2016/09/14	GENERAL TOLERANCES (UNLESS SPECIFIED) ANGULAR TOL ± 3.0 ° 4 PLACES ± 0.03 3 PLACES ± 0.03 2 PLACES ± 0.05 1 PLACE ± 0.1 0 PLACES ± 0.2 DRAFT WHERE APPLICABLE MUST REMAIN WITHIN DIMENSIONS	DIMENSION UNITS	SCALE		
	MM		10:1			
	DRWN BY		DATE	0.35 BB CONN. H=0.8 SSB8RP PLUG ASSY		
	NOKIMOTO		2016/03/22			
	CHK'D BY		DATE			
RTAKEUCHI	2016/03/24	PRODUCT CUSTOMER DRAWING				
APPR BY	DATE					
KMORIKAWA	2016/03/25	SERIES	MATERIAL NUMBER	CUSTOMER		
DRAFT WHERE APPLICABLE MUST REMAIN WITHIN DIMENSIONS		DRAWING SIZE	THIRD ANGLE PROJECTION			
		A3				
B		505274		GENERAL		
		DOCUMENT NUMBER		DOC TYPE	DOC PART	SHEET NUMBER
		5052741000		PSD	005	2 OF 2