

Features

- IEEE 802.3 Ethernet compatible
- Fully integrated for adapter, hub and motherboard applications
- Expanded temperature range: -40 to +125 °C
- AEC-Q200 Qualified, automotive grade
- RoHS compliant*

Applications

- Automotive
- LAN
- Ethernet

SM13072APL - 10/100 Base-T Transformer

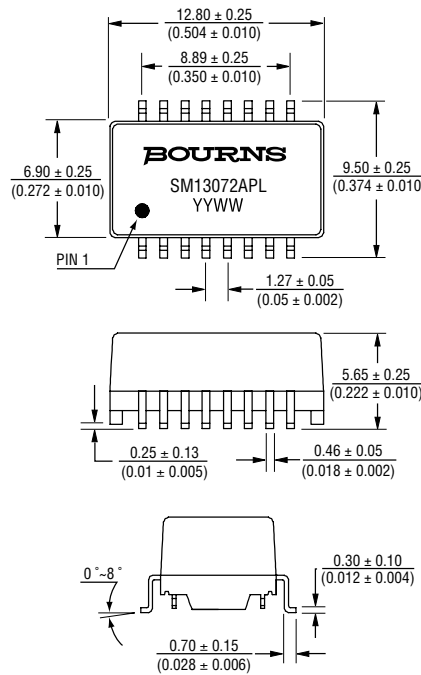
Electrical Specifications @ 25 °C

Inductance (100 kHz, 0.1 V, 8 mADC)	350 μ H Min.
Leakage Inductance (100 kHz, 0.1 V)	
TD with TX Shorted	0.5 μ H Max.
RD with RX Shorted	0.5 μ H Max.
C _{ww} (TD to TX & RD to RX @ 100 kHz, 0.1 V)	35 pF Max.
Turns Ratio	
TD : TX	1 : 1 (± 2 %)
RD : RX	1 : 1 (± 2 %)
DCR	
TD & RD	1.4 ohm Max.
TX & RX	1.0 ohm Max.
Insertion Loss (TD to TX & RD to RX)	
1-100 MHz	-1.1 dB Max.
Return Loss (TD to TX & RD to RX with 100 ohm load)	
1-40 MHz	-16 dB Min.
40-100 MHz	-10+20*log (f/80 MHz) dB Min.
Cross Talk (Between Each Channel)	
1-60 MHz	-40 dB Min.
60-100 MHz	-35 dB Min.
Common Mode Rejection (TD to TX & RD to RX)	
1-60 MHz	-37 dB Min.
60-100 MHz	-30 dB Min.
Differential to Common Mode Rejection Ratio (TD to TX & RD to RX)	
30 MHz	-35 dB Min.
60 MHz	-35 dB Min.
Hi-Pot (TD to TX & RD to RX @ 1 mA, 60 sec.)	1500 Vrms & 2250 Vdc
Storage Temperature	-40 to +125 °C
Operating Temperature	-40 to +125 °C

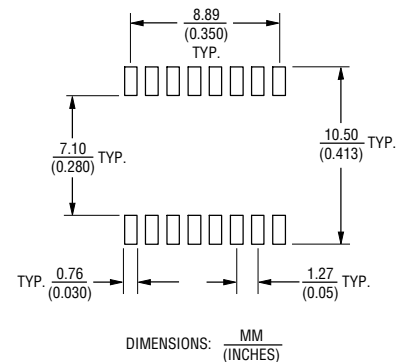
Packaging Specifications

Tape & Reel 600 pcs./reel

Product Dimensions



Recommended Layout



How To Order

SM13072 A P E L

Model _____

AEC-Q200 Qualified _____

Automotive Grade _____

Construction _____

 P = Potted _____

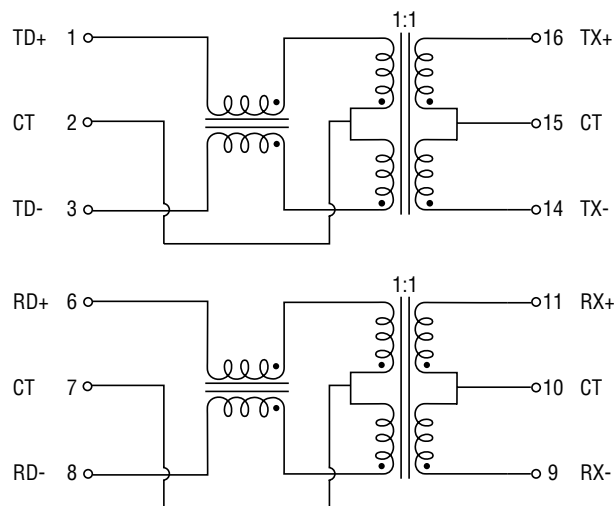
Packaging _____

 E = Tape and Reel (600 pcs./reel) _____

Termination _____

 L = Cu/Ni/Sn (RoHS Compliant) _____

Electrical Schematic



*RoHS Directive 2002/95/EC Jan. 27, 2003 including annex and RoHS Recast 2011/65/EU June 8, 2011.

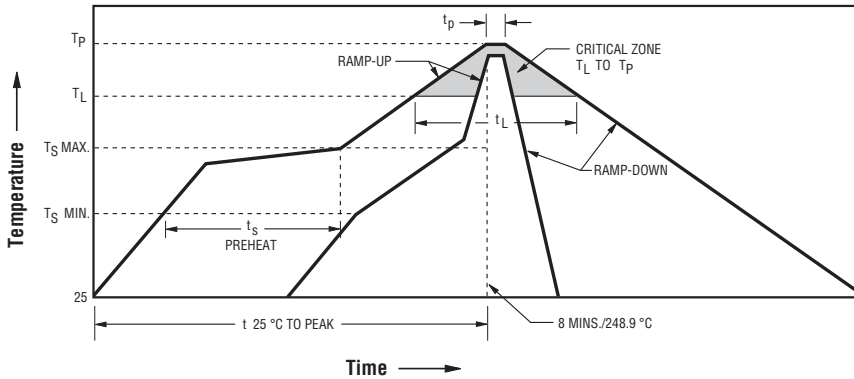
Specifications are subject to change without notice.

The device characteristics and parameters in this data sheet can and do vary in different applications and actual device performance may vary over time. Users should verify actual device performance in their specific applications.

SM13072APEL - 10/100 Base-T Transformer

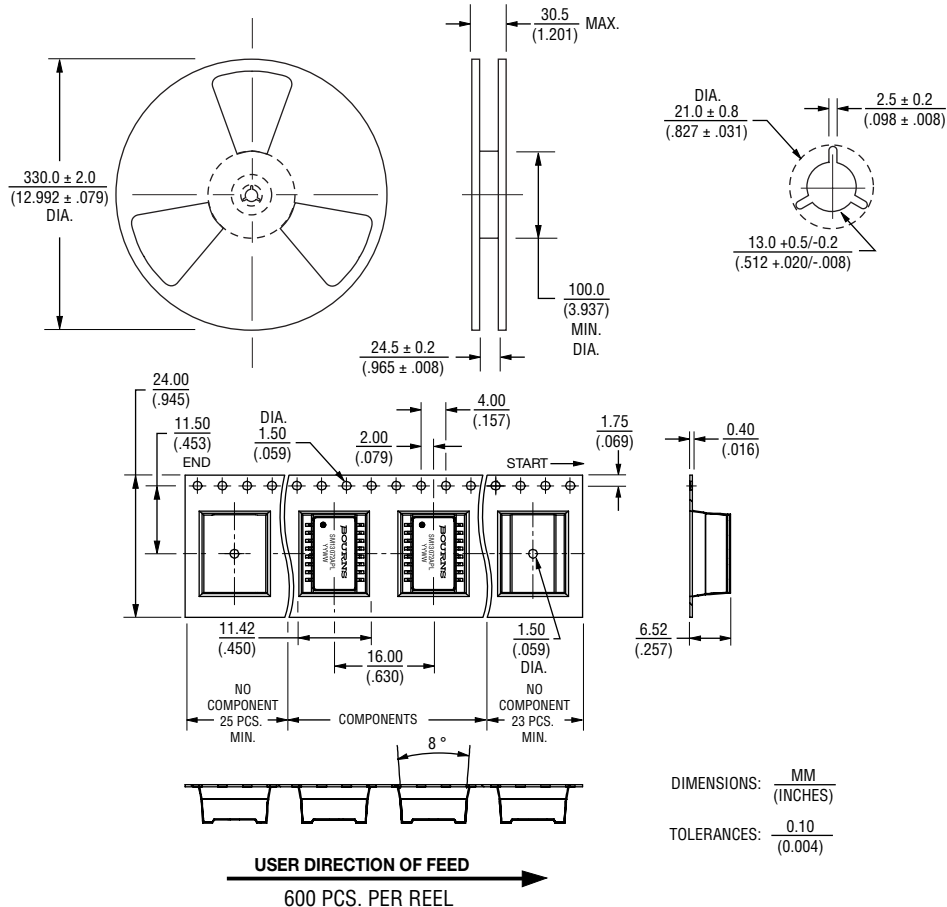
BOURNS®

Solder Profile



Ramp-up rate = 3 °C/sec. max.
 Ramp-down rate = 6 °C/sec. max.
 $T_L = 217\text{ °C}$ $t_L = 60\text{-}150\text{ sec.}$
 $T_p = 250\text{ °C} \pm 3\text{ °C}$
 Time within 5 °C of actual Peak Temp (t_p) = 20~40 sec.
 $T_S\text{ min} = 150\text{ °C}$ $T_S\text{ max} = 200\text{ °C}$
 $T_S\text{ min to } T_S\text{ max} = 60\text{-}180\text{ sec.}$
 25 °C to Peak Temperature = 8 min. max.

Packaging Specifications



02/17

Specifications are subject to change without notice.
 The device characteristics and parameters in this data sheet can and do vary in different applications and actual device performance may vary over time.
 Users should verify actual device performance in their specific applications.

Mouser Electronics

Authorized Distributor

Click to View Pricing, Inventory, Delivery & Lifecycle Information:

[Bourns:](#)

[SM13072APEL](#)