

TPS22960 Low-Input Voltage, Dual-Load Switch With Controlled Turnon

1 Features

- Integrated Dual-Load Switch
- Input Voltage Range: 1.62 V to 5.5 V
- Low ON-State Resistance
 - $r_{ON} = 342 \text{ m}\Omega$ at $V_{IN} = 5.5 \text{ V}$
 - $r_{ON} = 435 \text{ m}\Omega$ at $V_{IN} = 3.3 \text{ V}$
 - $r_{ON} = 523 \text{ m}\Omega$ at $V_{IN} = 2.5 \text{ V}$
 - $r_{ON} = 737 \text{ m}\Omega$ at $V_{IN} = 1.8 \text{ V}$
- 500-mA Maximum Continuous Switch Current
- Low Quiescent Current and Shutdown Current
- Controlled Switch Output Rise Time: 75 μs or 660 μs
- Integrated Quick Output Discharge Transistor
- ESD Performance Tested Per JESD 22
 - 2000-V Human Body Model (A114-B, Class II)
 - 1000-V Charged-Device Model (C101)
- 8-Pin SOT (DCN) Package: 3 mm \times 3 mm
- 8-Pin UQFN (RSE) Package: 1.5 mm \times 1.5 mm

2 Applications

- GPS Devices
- Cell Phones/PDAs
- MP3 Players
- Digital Cameras

3 Description

The TPS22960 is a small low- r_{ON} dual-channel load switch with controlled turnon. The devices contain two P-channel MOSFETs that can operate over an input voltage range of 1.62 V to 5.5 V. Each switch is independently controlled by on/off inputs (ON1 and ON2), which are capable of interfacing directly with low-voltage control signals. In TPS22960 a 85- Ω on-chip load resistor is added for quick discharge when the switch is turned off.

The rise time (slew-rate) of the device is internally controlled in order to avoid inrush current, and it can be slowed down if needed using the SR pin: at 3.3 V, TPS22960 features a 75- μs rise time with the SR pin tied to ground and 660- μs with the SR pin tied to high.

The TPS22960 is available in a space-saving 8-pin UQFN package and in an 8-pin SOT package. It is characterized for operation over the free-air temperature range of -40°C to 85°C .

Device Information⁽¹⁾

PART NUMBER	PACKAGE	BODY SIZE (NOM)
TPS22960	SOT (8)	2.90 mm \times 1.63 mm
	UQFN (8)	1.50 mm \times 1.50 mm

(1) For all available packages, see the orderable addendum at the end of the datasheet.

Simplified Diagram

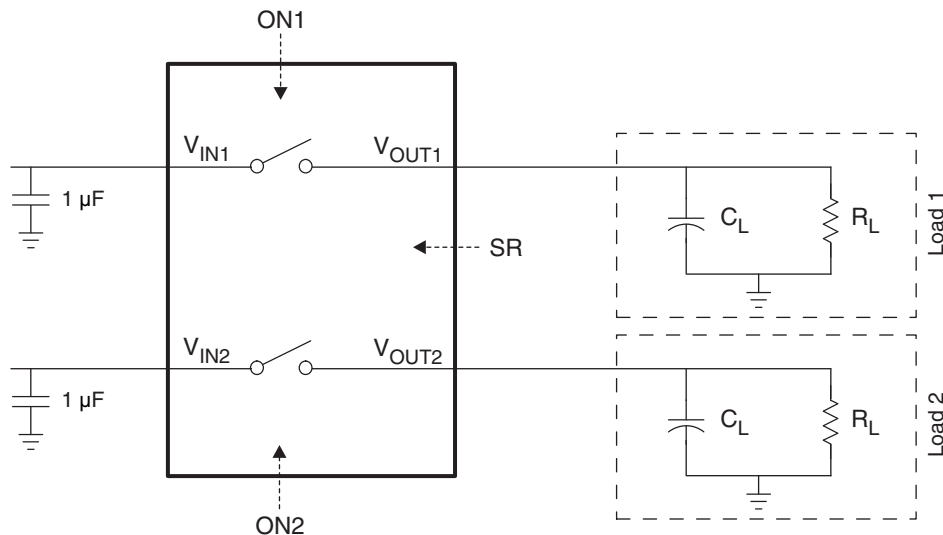


Table of Contents

1 Features	1	8.2 Functional Block Diagram	12
2 Applications	1	8.3 Feature Description	13
3 Description	1	8.4 Device Functional Modes	13
4 Revision History	2	9 Application and Implementation	14
5 Pin Configuration and Functions	3	9.1 Application Information	14
6 Specifications	3	9.2 Typical Application	14
6.1 Absolute Maximum Ratings	3	10 Power Supply Recommendations	16
6.2 ESD Ratings	3	11 Layout	16
6.3 Recommended Operating Conditions	4	11.1 Layout Guidelines	16
6.4 Thermal Information	4	11.2 Layout Example	17
6.5 Electrical Characteristics	5	12 Device and Documentation Support	19
6.6 Switching Characteristics	5	12.1 Community Resources	19
6.7 Typical DC Characteristics	6	12.2 Trademarks	19
6.8 Typical Switching Characteristics	7	12.3 Electrostatic Discharge Caution	19
7 Parameter Measurement Information	11	12.4 Glossary	19
8 Detailed Description	12	13 Mechanical, Packaging, and Orderable Information	19
8.1 Overview	12		

4 Revision History

NOTE: Page numbers for previous revisions may differ from page numbers in the current version.

Changes from Revision C (July 2015) to Revision D Page

- Made changes to [Application Information](#) **1**

Changes from Revision B (August 2013) to Revision C Page

- Added *Pin Configuration and Functions* section, *ESD Ratings* table, *Feature Description* section, *Device Functional Modes*, *Application and Implementation* section, *Power Supply Recommendations* section, *Layout* section, *Device and Documentation Support* section, and *Mechanical, Packaging, and Orderable Information* section **1**
- Updated the [Thermal Information](#) table to remove 220°C/W and 116°C/W from the junction-to-ambient thermal resistance, and 123°C/W and 60°C/W from the junction-to-case (top) thermal resistance **4**
- Changed values > 100°C/W in the [Thermal Information](#) table to contain only 3 significant figures **4**

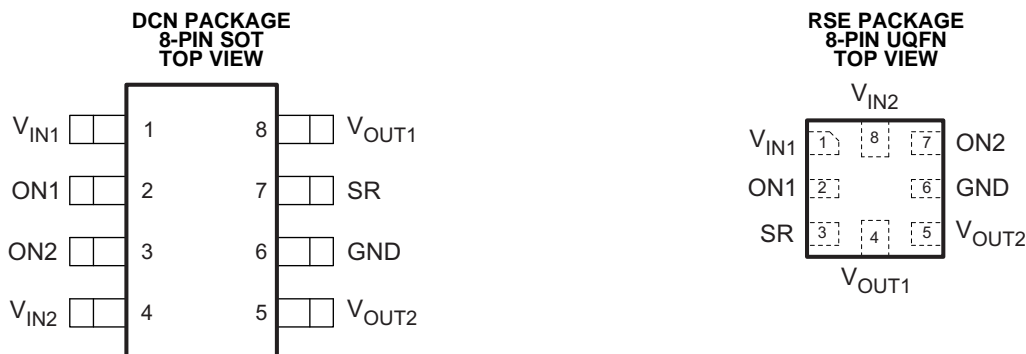
Changes from Revision A (August 2011) to Revision B Page

- Clarified text in the [Description](#)
 1 || • Added T_J to the [Absolute Maximum Ratings](#) table | **3** |
| • Updated [Table 2](#) in [Device Functional Modes](#) | **13** |

Changes from Original (April 2009) to Revision A Page

- Changed r_{ON} values for $V_{INX} = 1.8\text{ V}$ (25°C) From: Typ 714, Max 855 To: Typ 737, Max 1100 **5**
- Changed r_{ON} values for $V_{INX} = 1.8\text{ V}$ (Full) From: Max 995 To: Max 1300 **5**
- Changed r_{ON} values for $V_{INX} = 1.62\text{ V}$ (25°C) From: Typ 830, Max 950 To: Typ 848, Max 1300 **5**
- Changed r_{ON} values for $V_{INX} = 1.62\text{ V}$ (Full) From: Max 1100 To: Max 1500 **5**

5 Pin Configuration and Functions



Pin Functions

PIN			I/O	DESCRIPTION
NAME	SOT	UQFN		
V _{IN1}	1	1	I	Switch 1 input; bypass this input with a ceramic capacitor to GND
ON1	2	2	I	Switch 1 control input, active high. Do not leave floating.
ON2	3	7	I	Switch 2 control input, active high. Do not leave floating.
V _{IN2}	4	8	I	Switch 2 input; bypass this input with a ceramic capacitor to GND
V _{OUT2}	5	5	O	Switch 2 output
GND	6	6	—	Ground
SR	7	3	I	Slew rate control pin. SR = GND translates into a 75- μ s rise time; SR = high translates into a 660- μ s rise time
V _{OUT1}	8	4	O	Switch 1 output

6 Specifications

6.1 Absolute Maximum Ratings

(see ⁽¹⁾)

		MIN	MAX	UNIT
V _{IN}	Input voltage	-0.3	6	V
V _{OUT}	Output voltage		V _{IN} + 0.3	V
V _{ON}	Input voltage	-0.3	6	V
I _{MAX}	Maximum continuous switch current		0.5	A
T _A	Operating free-air temperature	-40	85	°C
T _J	Maximum junction temperature		125	°C
T _{stg}	Storage temperature	-65	150	°C

- (1) Stresses beyond those listed under absolute maximum ratings may cause permanent damage to the device. These are stress ratings only, and functional operation of the device at these or any other conditions beyond those indicated under *Recommended Operating Conditions* is not implied. Exposure to absolute-maximum-rated conditions for extended periods may affect device reliability.

6.2 ESD Ratings

		VALUE	UNIT
V _(ESD)	Electrostatic discharge	Human body model (HBM), per ANSI/ESDA/JEDEC JS-001 ⁽¹⁾	2000
		Charged-device model (CDM), per JEDEC specification JESD22-C101 ⁽²⁾	1000

- (1) JEDEC document JEP155 states that 500-V HBM allows safe manufacturing with a standard ESD control process.
(2) JEDEC document JEP157 states that 250-V CDM allows safe manufacturing with a standard ESD control process.

6.3 Recommended Operating Conditions

		MIN	MAX	UNIT	
V _{IN}	Input voltage	1.62	5.5	V	
V _{OUT}	Output voltage		V _{IN}	V	
V _{IH}	High-level input voltage: ON1, ON2, SR	V _{INx} = 3.0 V to 5.5 V	1.5	5.5	V
		V _{INx} = 1.62 V to 3.0 V	1.4	5.5	
V _{IL}	Low-level input voltage: ON1, ON2, SR	V _{INx} = 3.0 V to 5.5 V		0.5	V
		V _{INx} = 1.62 V to 3.0 V		0.4	
C _{IN}	Input capacitor		1 ⁽¹⁾	μF	

(1) See [Application Information](#)

6.4 Thermal Information

THERMAL METRIC ⁽¹⁾	TPS22960		UNIT	
	DCN (SOT)	RSE (UQFN)		
	8 PINS	8 PINS		
R _{θJA}	Junction-to-ambient thermal resistance	254	124	°C/W
R _{θJC(top)}	Junction-to-case (top) thermal resistance	122	67	°C/W
R _{θJB}	Junction-to-board thermal resistance	181	31.5	°C/W
ψ _{JT}	Junction-to-top characterization parameter	22	2.9	°C/W
ψ _{JB}	Junction-to-board characterization parameter	178	31.5	°C/W
R _{θJC(bot)}	Junction-to-case (bottom) thermal resistance	—	—	°C/W

(1) For more information about traditional and new thermal metrics, see *Semiconductor and IC Package Thermal Metrics* ([SPRA953](#)).

6.5 Electrical Characteristics

 $V_{IN} = 1.62\text{ V to }5.5\text{ V}$, $T_A = -40^\circ\text{C to }85^\circ\text{C}$ (unless otherwise noted)

PARAMETER		TEST CONDITIONS	T_A	MIN	TYP ⁽¹⁾	MAX	UNIT
I_{IN}	Quiescent current (each switch)	$I_{OUTx} = 0$, $V_{INx} = V_{ON}$	$V_{INx} = 5.5\text{ V}$	Full	0.64	2	μA
			$V_{INx} = 3.3\text{ V}$	Full	0.35	1.2	
			$V_{INx} = 2.5\text{ V}$	Full	0.24	0.8	
			$V_{INx} = 1.8\text{ V}$	Full	0.15	0.5	
$I_{IN(OFF)}$	OFF-state supply current (each switch)	$V_{ON} = \text{GND}$, $V_{OUTx} = \text{Open}$	$V_{INx} = 5.5\text{ V}$	Full	0.47	3.6	μA
			$V_{INx} = 3.3\text{ V}$	Full	0.25	1.8	
			$V_{INx} = 2.5\text{ V}$	Full	0.18	1.3	
			$V_{INx} = 1.8\text{ V}$	Full	0.11	0.9	
r_{ON}	ON-state resistance (each switch)	$I_{OUT} = -200\text{ mA}$	$V_{INx} = 5.5\text{ V}$	25°C	342	400	m Ω
				Full		465	
			$V_{INx} = 3.3\text{ V}$	25°C	435	500	
				Full		595	
			$V_{INx} = 2.5\text{ V}$	25°C	523	620	
				Full		720	
			$V_{INx} = 1.8\text{ V}$	25°C	737	1100	
				Full		1300	
$V_{INx} = 1.62\text{ V}$	25°C	848	1300				
	Full		1500				
r_{PD}	Output pulldown resistance	$V_{IN} = 3.3\text{ V}$, $V_{ON} = 0$, $I_{OUT} = 30\text{ mA}$	25°C	85	120	Ω	
I_{ON}	ON-state input leakage current	$V_{ON} = 1.62\text{ V to }5.5\text{ V or GND}$	Full		0.25	μA	

(1) Typical values are at $T_A = 25^\circ\text{C}$.

6.6 Switching Characteristics

 $V_{IN} = 3.3\text{ V}$, $T_A = 25^\circ\text{C}$, $R_{L_CHIP} = 85\ \Omega$ (unless otherwise noted)

PARAMETER		TEST CONDITIONS	MIN	TYP ⁽¹⁾	MAX	UNIT
t_{ON}	Turn-ON time	$R_L = 33\ \Omega$, $C_L = 0.1\ \mu\text{F}$	$SR = V_{IN}$	635		μs
			$SR = \text{GND}$	67		
t_{OFF}	Turn-OFF time	$R_L = 33\ \Omega$, $C_L = 0.1\ \mu\text{F}$	$SR = V_{IN}$	4.5		μs
			$SR = \text{GND}$	4.2		
t_r	V_{OUT} rise time	$R_L = 33\ \Omega$, $C_L = 0.1\ \mu\text{F}$	$SR = V_{IN}$	660		μs
			$SR = \text{GND}$	75		
t_f	V_{OUT} fall time	$R_L = 33\ \Omega$, $C_L = 0.1\ \mu\text{F}$	$SR = V_{IN}$	4.5		μs
			$SR = \text{GND}$	4.5		

(1) Typical values are at the specified $V_{IN} = 3.3\text{ V}$ and $T_A = 25^\circ\text{C}$

6.7 Typical DC Characteristics

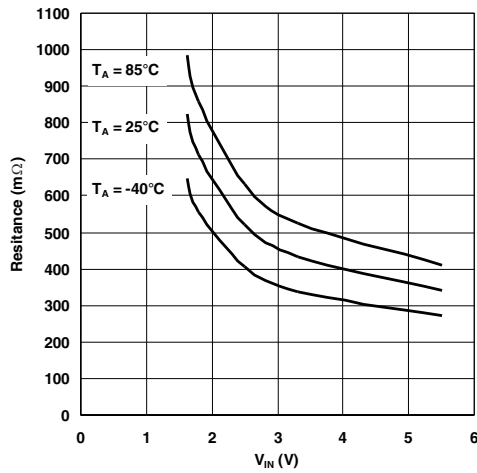


Figure 1. ON Resistance vs Input Voltage

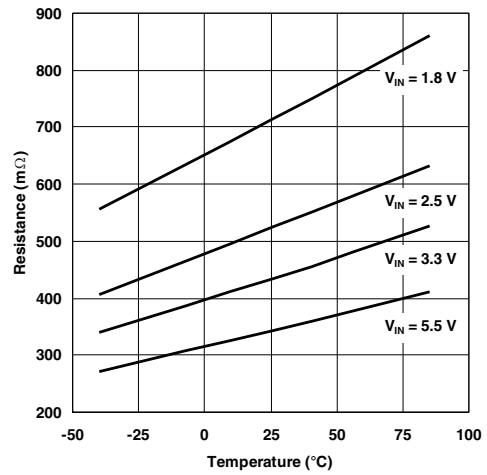


Figure 2. ON Resistance vs Temperature

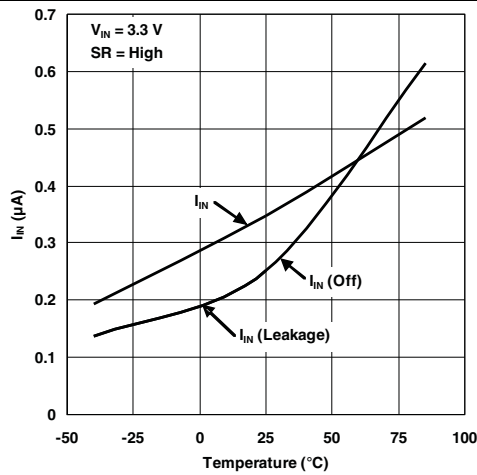


Figure 3. Quiescent Current vs Temperature

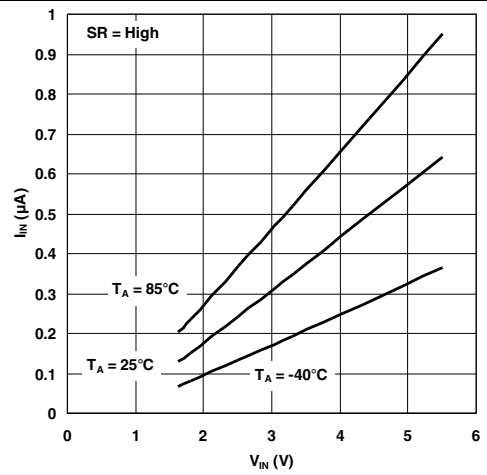


Figure 4. Quiescent Current vs Input Voltage

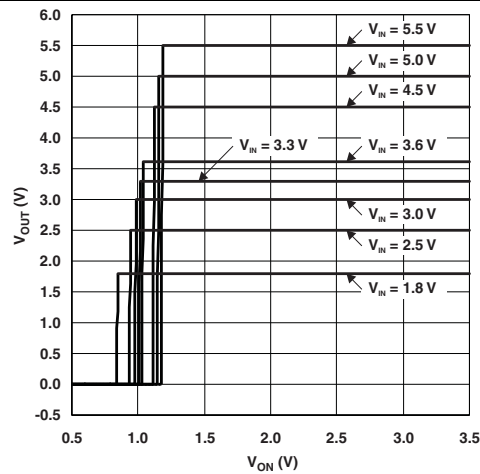


Figure 5. ON Threshold

6.8 Typical Switching Characteristics

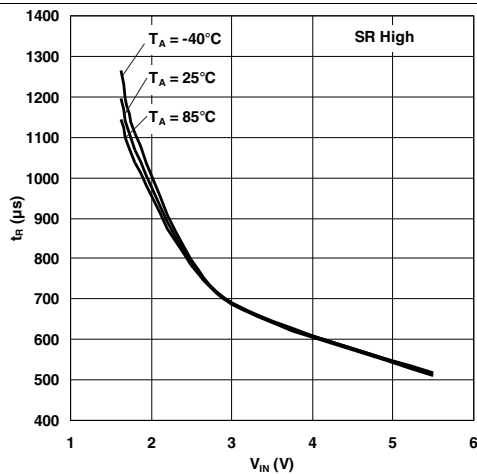


Figure 6. Rise Time vs Input Voltage

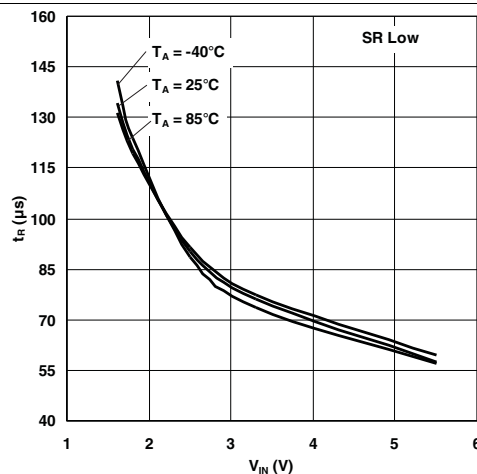


Figure 7. Rise Time vs Input Voltage

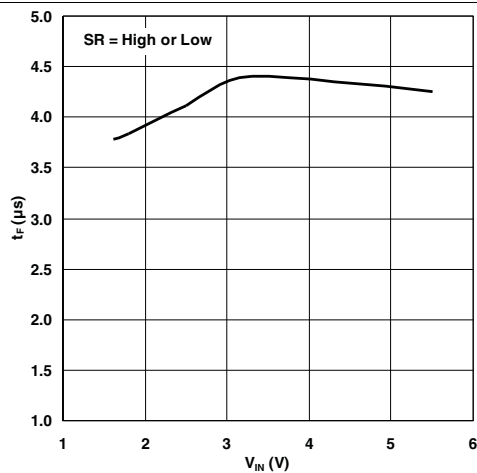


Figure 8. Fall Time vs Input Voltage

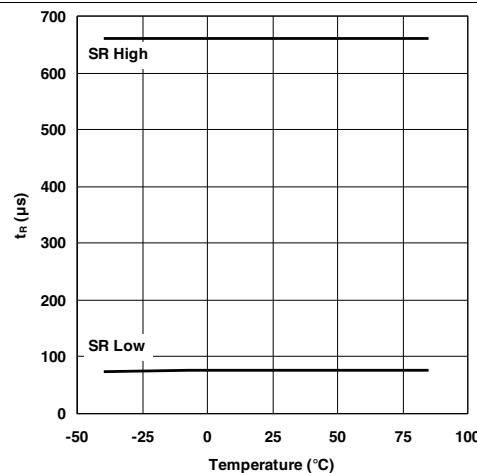


Figure 9. Rise Time vs Temperature

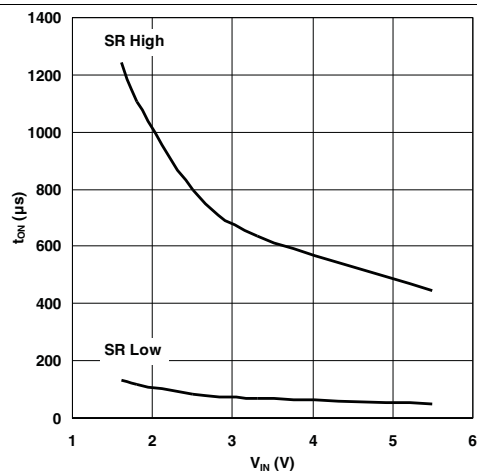


Figure 10. On Time vs Input Voltage

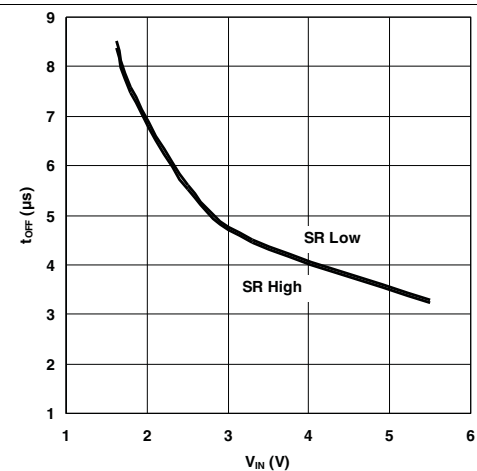
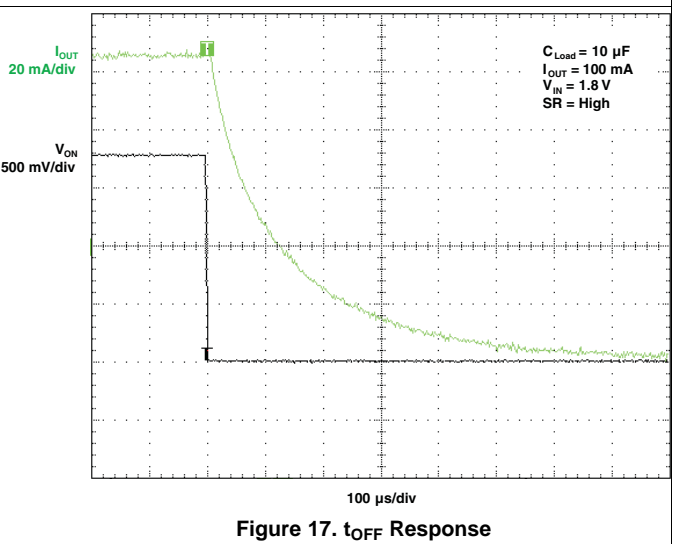
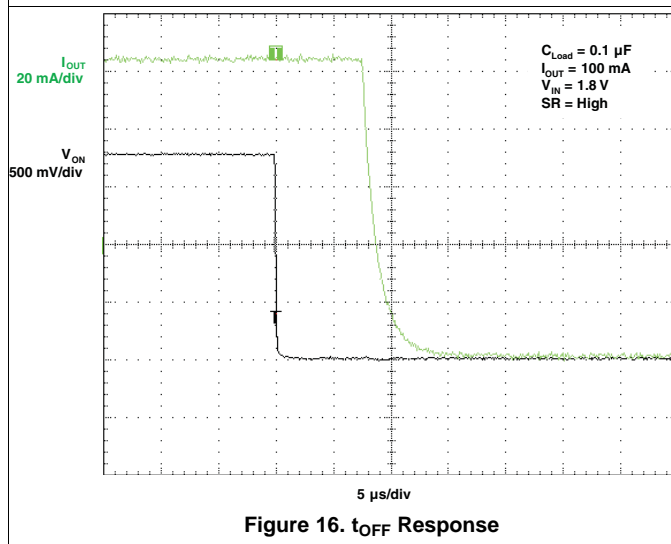
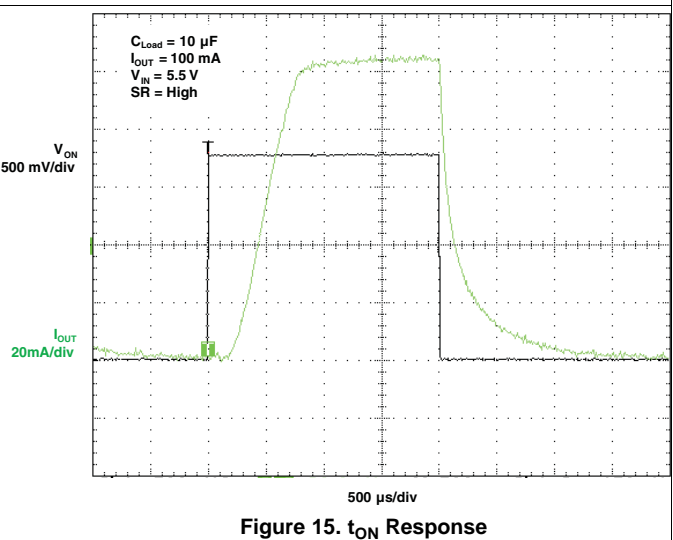
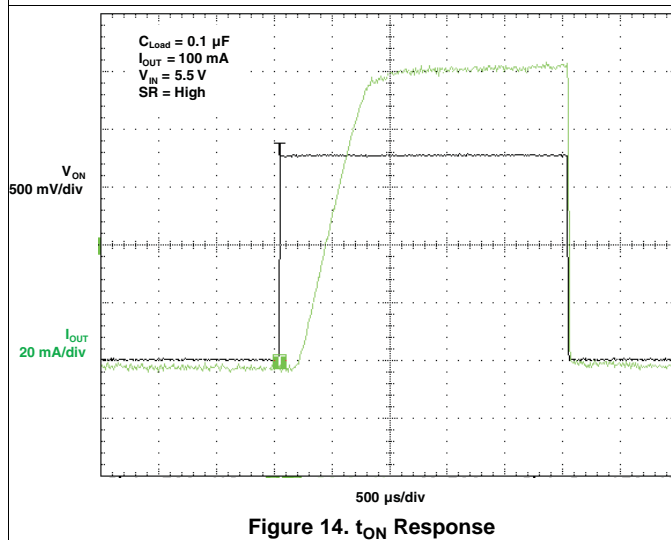
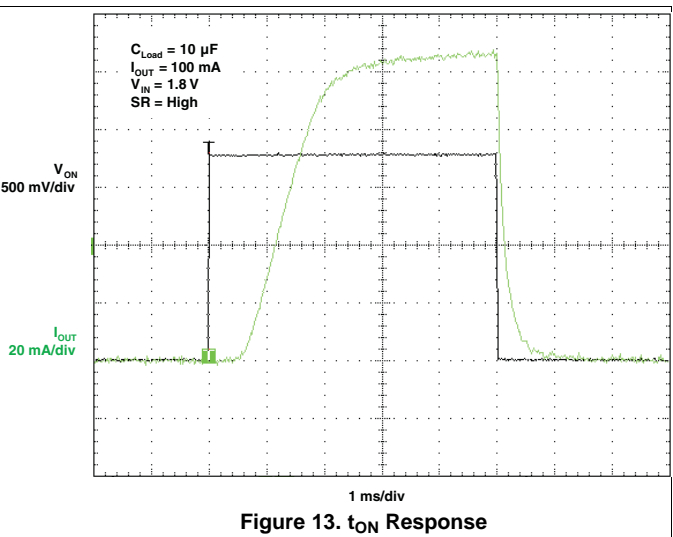
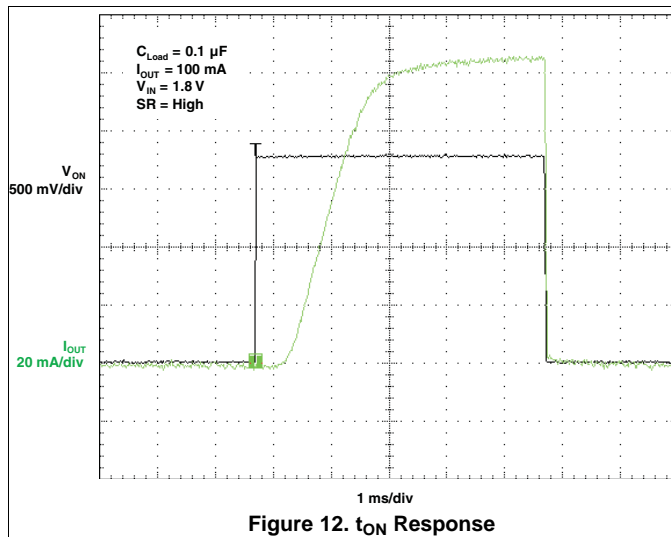


Figure 11. Off Time vs Input Voltage

Typical Switching Characteristics (continued)


Typical Switching Characteristics (continued)

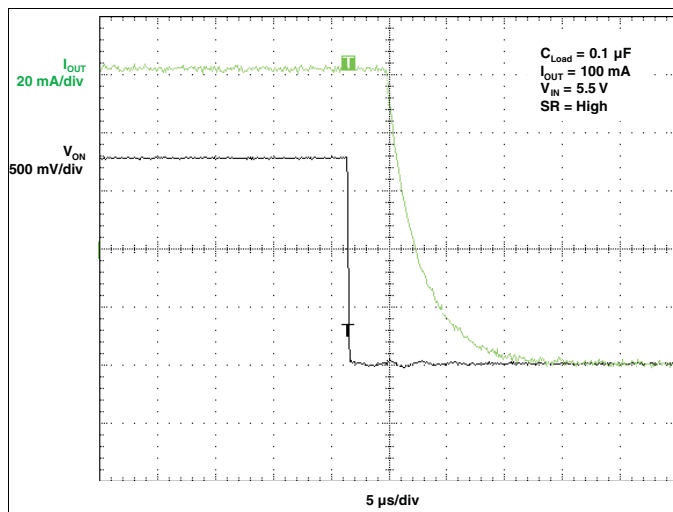


Figure 18. t_{OFF} Response

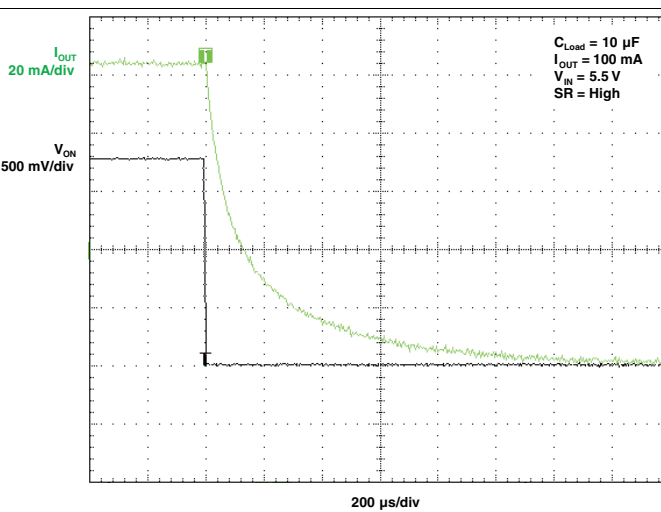


Figure 19. t_{OFF} Response

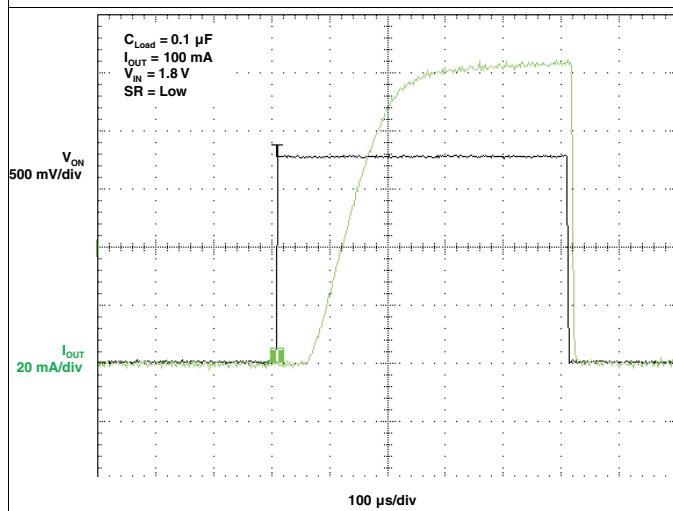


Figure 20. t_{ON} Response

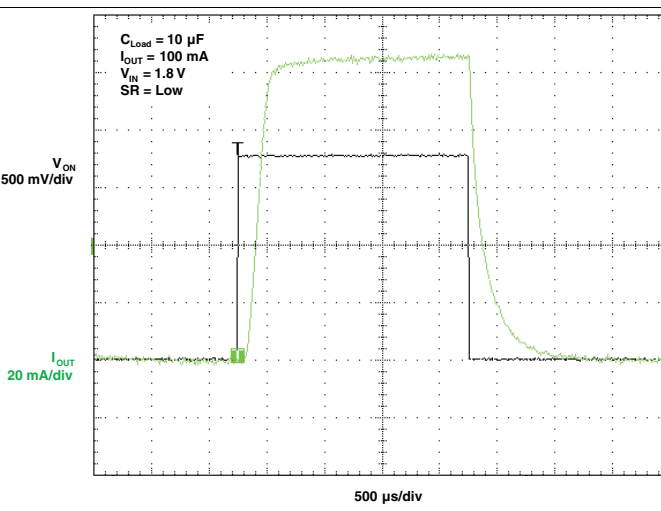


Figure 21. t_{ON} Response

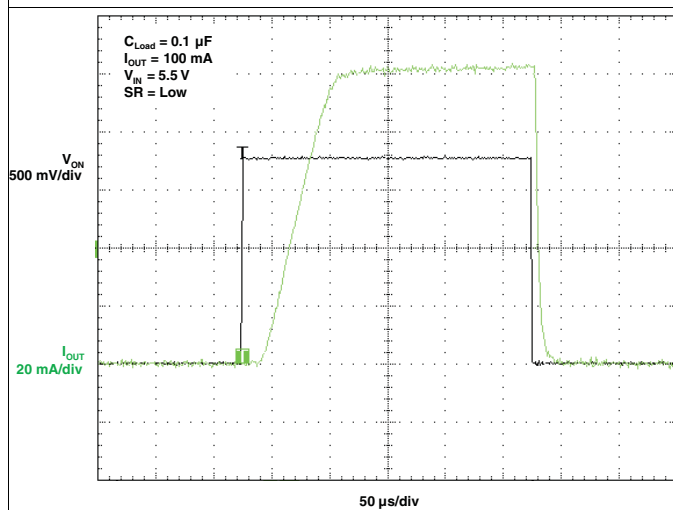


Figure 22. t_{ON} Response

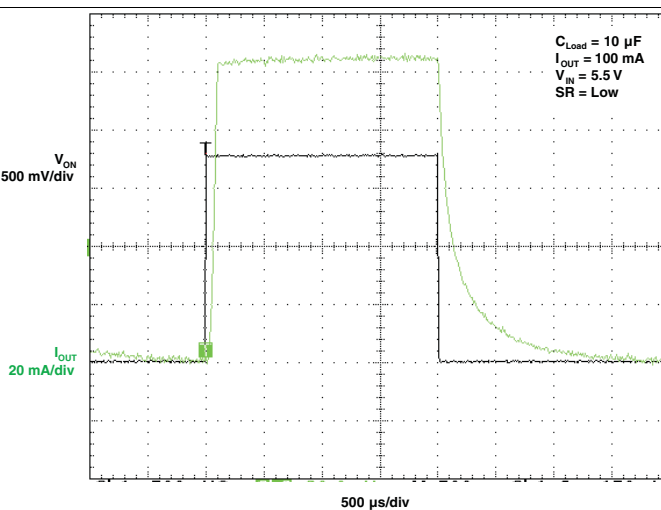


Figure 23. t_{ON} Response

Typical Switching Characteristics (continued)

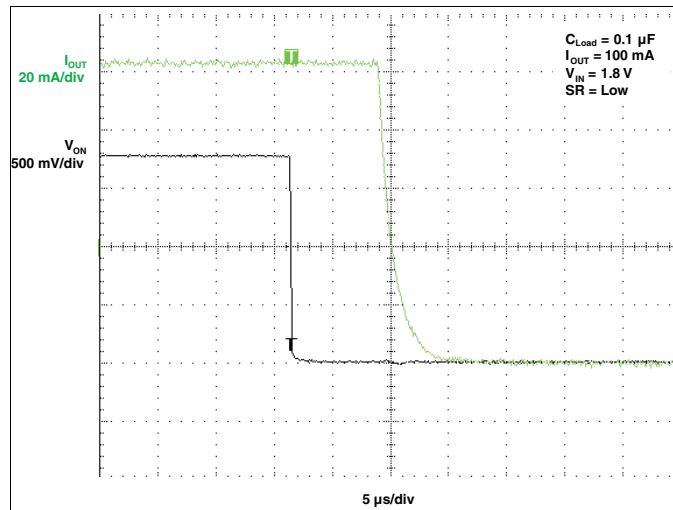


Figure 24. t_{OFF} Response

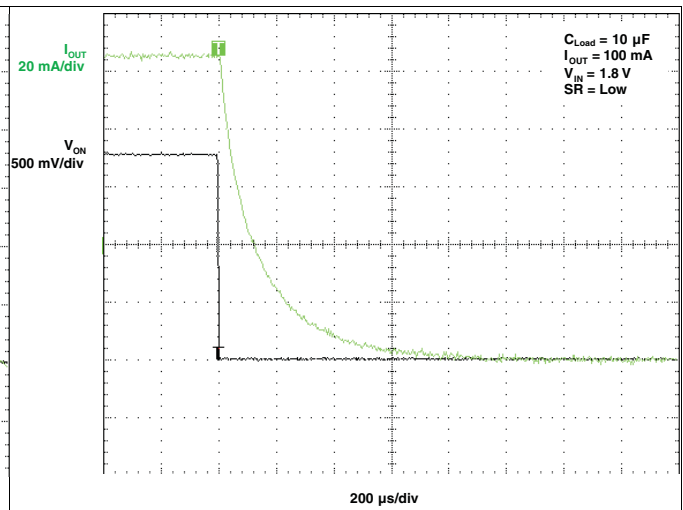


Figure 25. t_{OFF} Response

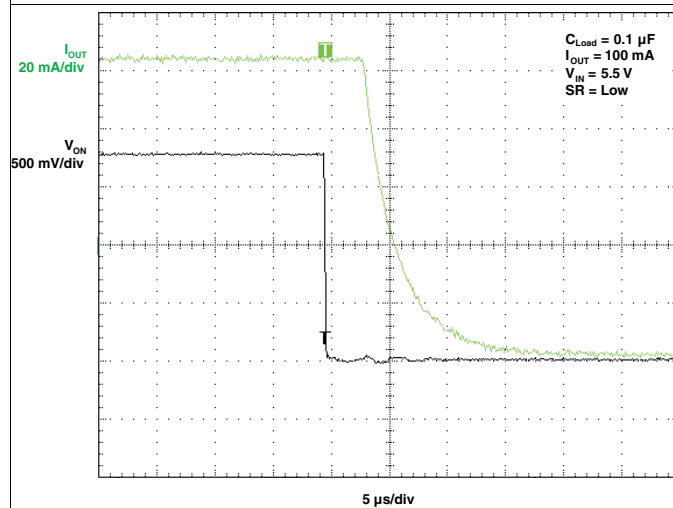


Figure 26. t_{OFF} Response

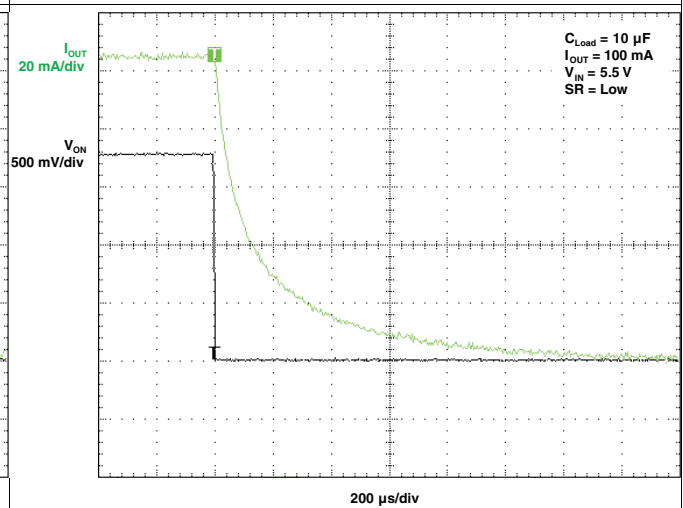
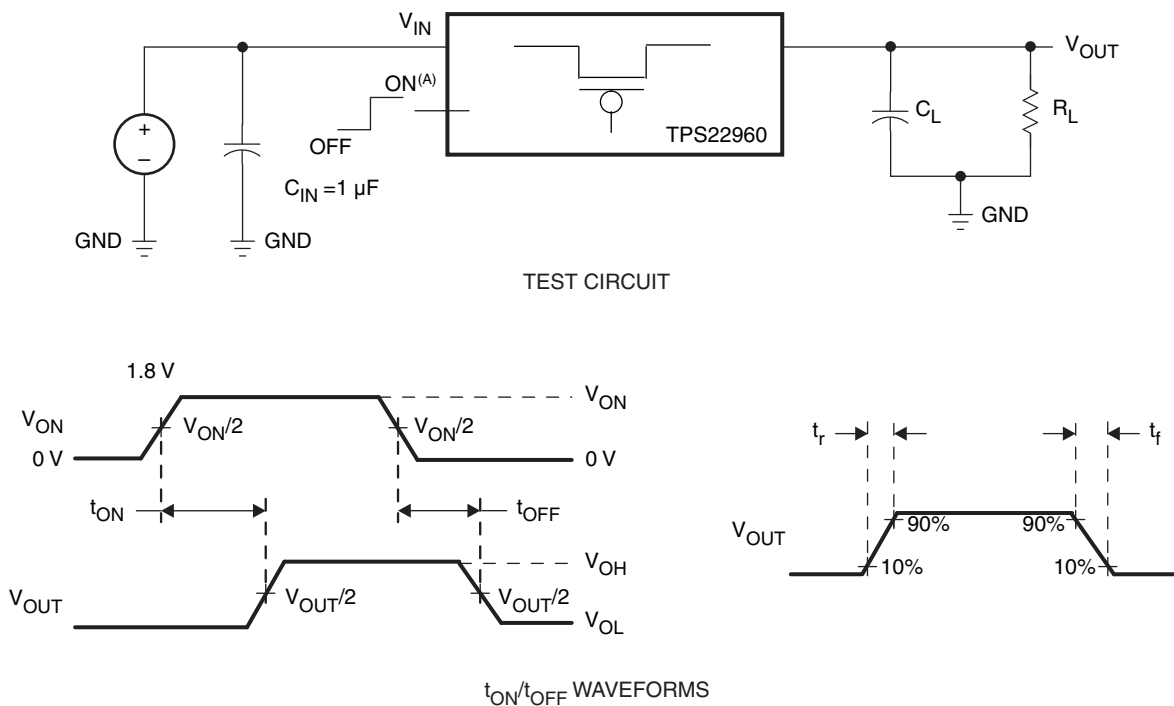


Figure 27. t_{OFF} Response

7 Parameter Measurement Information



A. t_{rise} and t_{fall} of the control signal is 100 ns.

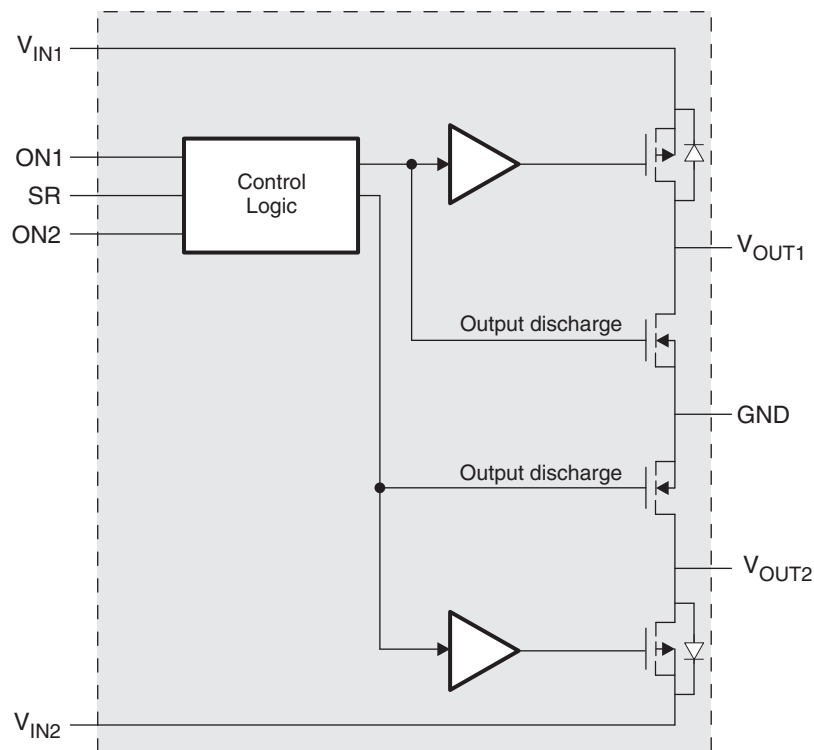
Figure 28. Test Circuit and t_{ON}/t_{OFF} Waveforms

8 Detailed Description

8.1 Overview

The TPS22960 is a dual-channel load switch. The two channels can be independently controlled using the ONx pins. Each channel has an 85-Ω quick discharge resistance from V_{OUTX} to GND when disabled. A single control pin (SR) is used to set the slew rate for both channels..

8.2 Functional Block Diagram



8.3 Feature Description

This section will discuss the features of the TPS22960 which have been summarized in [Table 1](#).

Table 1. Feature Summary

DEVICE	r _{ON} AT 3.3 V (TYP)	SLEW RATE AT 3.3 V (TYP)	QUICK OUTPUT DISCHARGE ⁽¹⁾	MAX OUTPUT CURRENT	ENABLE
TPS22960	435 mΩ	75 μs with SR = low 660 μs with SR = high	Yes	500 mA	Active High

(1) This feature discharges the output of the switch to ground through an 85-Ω resistor, preventing the output from floating.

8.3.1 Output Slew Rate (SR) Control

The slew rate (rise time) of the device is internally controlled in order to avoid inrush current, and it can be slowed down if needed using the SR pin. At 3.3 V, TPS22960 features a 75-μs rise time with the SR pin tied to ground, and a 660-μs rise time with the SR pin tied high. Both channels will have the same slew rate set by the SR pin.

8.3.2 Quick Output Discharge (QOD)

Each channel of the TPS22960 includes an independent QOD feature. When the channel is disabled, a discharge resistor is connected between V_{OUTx} and GND. This resistor has a typical value of 85 Ω and prevents the output from floating while the switch is disabled.

8.4 Device Functional Modes

Table 2. Configurable Logic Function Table

ONx	V _{INx} TO V _{OUTx}	V _{OUTx} TO GND
L	OFF	ON
H	ON	OFF

9 Application and Implementation

NOTE

Information in the following applications sections is not part of the TI component specification, and TI does not warrant its accuracy or completeness. TI's customers are responsible for determining suitability of components for their purposes. Customers should validate and test their design implementation to confirm system functionality.

9.1 Application Information

9.1.1 ON/OFF Control

The ON pin controls the state of the switch. Activating ON continuously holds the switch in the on state, as long as there is no fault. ON is active HI and has a low threshold, making it capable of interfacing with low voltage signals. The ON pin is compatible with standard GPIO logic threshold. It can be used with any microcontroller with 1.2-V, 1.8-V, 2.5-V, or 3.3-V GPIOs.

9.1.2 Input Capacitor

To limit voltage drop or voltage transients, sufficient capacitance needs to be placed on the input side of the load switch (from V_{IN} to GND). In most cases, a 1- μ F ceramic capacitor, C_{IN} , placed close to the pins is usually sufficient. However, when switching heavy capacitive loads, higher values of C_{IN} may be needed to prevent the system supply voltage from dropping.

9.1.3 Output Capacitor

The integral body diode in the PMOS switch will allow reverse current flow if V_{OUT} exceeds V_{IN} . A C_L greater than C_{IN} can cause V_{OUT} to exceed V_{IN} if the system supply is removed. In the case where the system supply could be removed and reverse current is a concern, a C_L greater than C_L is recommended.

9.2 Typical Application

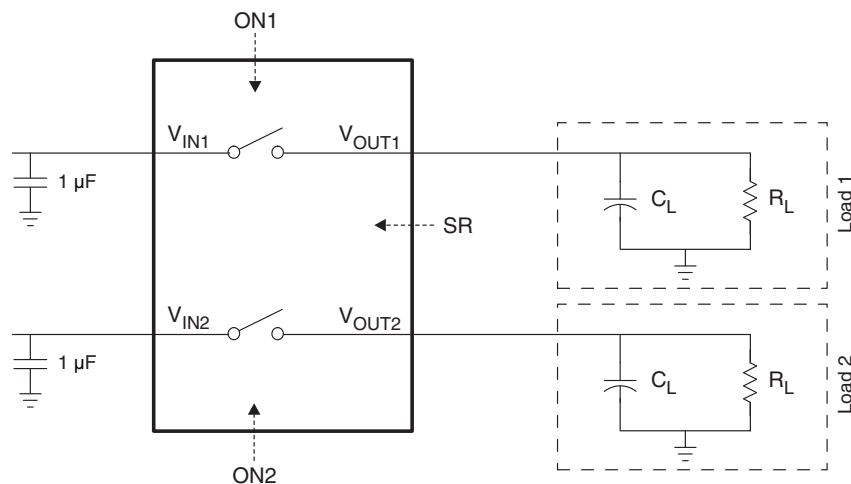


Figure 29. Typical Application Schematic

Typical Application (continued)

9.2.1 Design Requirements

For this design example, use input parameters in [Table 3](#).

Table 3. Design Parameters

PARAMETER	EXAMPLE VALUE
V _{IN}	3.3 V
C _L	22 μF
Maximum acceptable inrush current	200 mA

9.2.2 Detailed Design Procedure

9.2.2.1 Inrush Current

When the switch is enabled, the output capacitors must be charged up from 0 V to the set value (in this example, 3.3 V). This charge arrives in the form of inrush current. Inrush current can be calculated using the following equation:

$$\text{Inrush Current} = C \times dV / dt \tag{1}$$

Where:

- C = output capacitance
- dV = output voltage
- dt = rise time

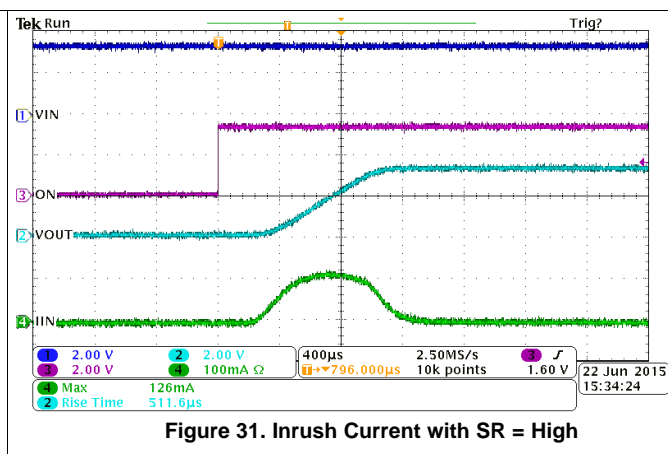
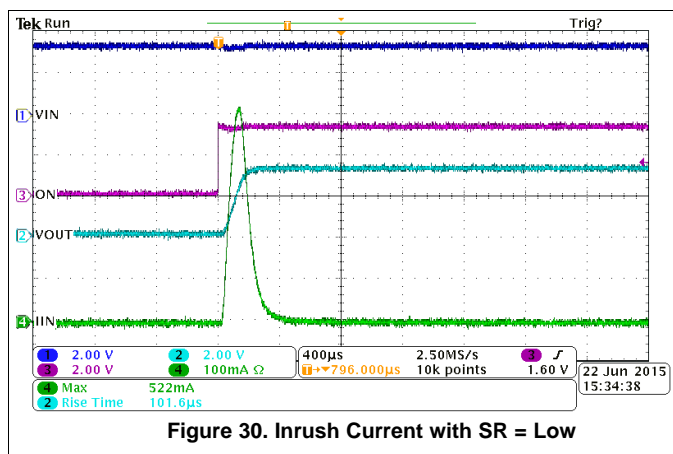
The TPS22960 offers selectable rise time control for V_{OUT}. This feature allows the user to control the inrush current during turnon. [Equation 1](#) can be used to find the required rise time to limit the inrush current to the design requirements

$$200 \text{ mA} = 22 \text{ } \mu\text{F} \times (3.3 \text{ V} \times 80\%) / dt \tag{2}$$

$$dt = 290 \text{ } \mu\text{s} \tag{4}$$

To ensure an inrush current of less than 200 mA, SR must be set high for a rise time greater than 290 μs. The following application curves show the different inrush for each SR setting in this design example.

9.2.3 Application Curves



10 Power Supply Recommendations

The device is designed to operate from an input voltage range of 1.62 V to 5.5 V. The power supply should be well-regulated and placed as close to the device terminals as possible. It must be able to withstand all transient and load current steps. In most situations, using an input capacitance of 1 μF is sufficient to prevent the supply voltage from dipping when the switch is turned on. In cases where the power supply is slow to respond to a large transient current or large load current step, additional bulk capacitance may be required on the input.

The requirements for larger input capacitance can be mitigated by selecting the slower slew rate $+SR=\text{high}$. This will cause the load switch to turn on more slowly and limit the inrush current.

11 Layout

11.1 Layout Guidelines

For best performance, all traces should be as short as possible. To be most effective, the input and output capacitors should be placed close to the device to minimize the effects that parasitic trace inductances may have on normal and short-circuit operation. Using wide traces for V_{IN} , V_{OUT} , and GND will help minimize the parasitic electrical effects along with minimizing the case to ambient thermal impedance.

11.2 Layout Example

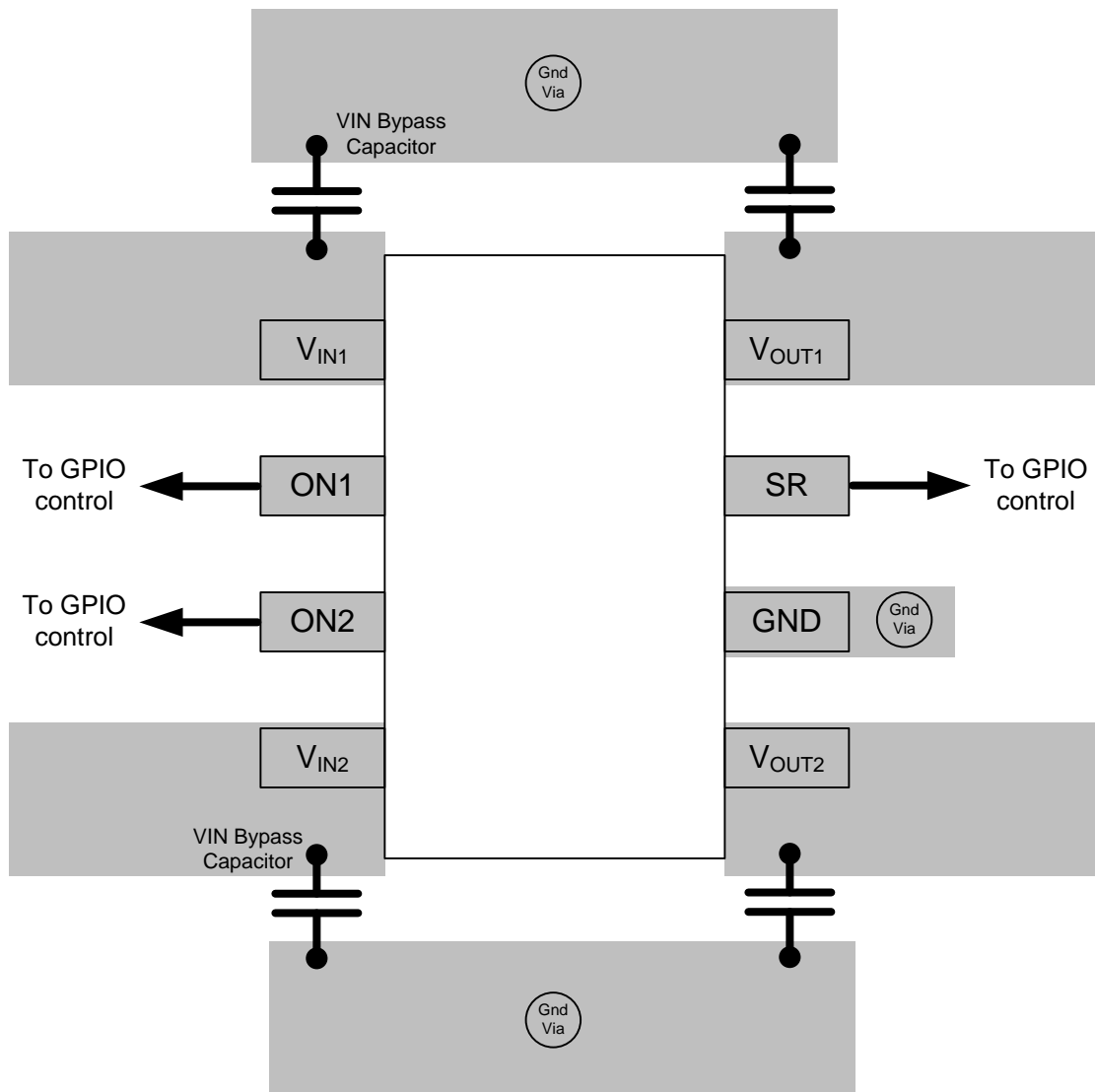


Figure 32. DCN Package Layout

Layout Example (continued)

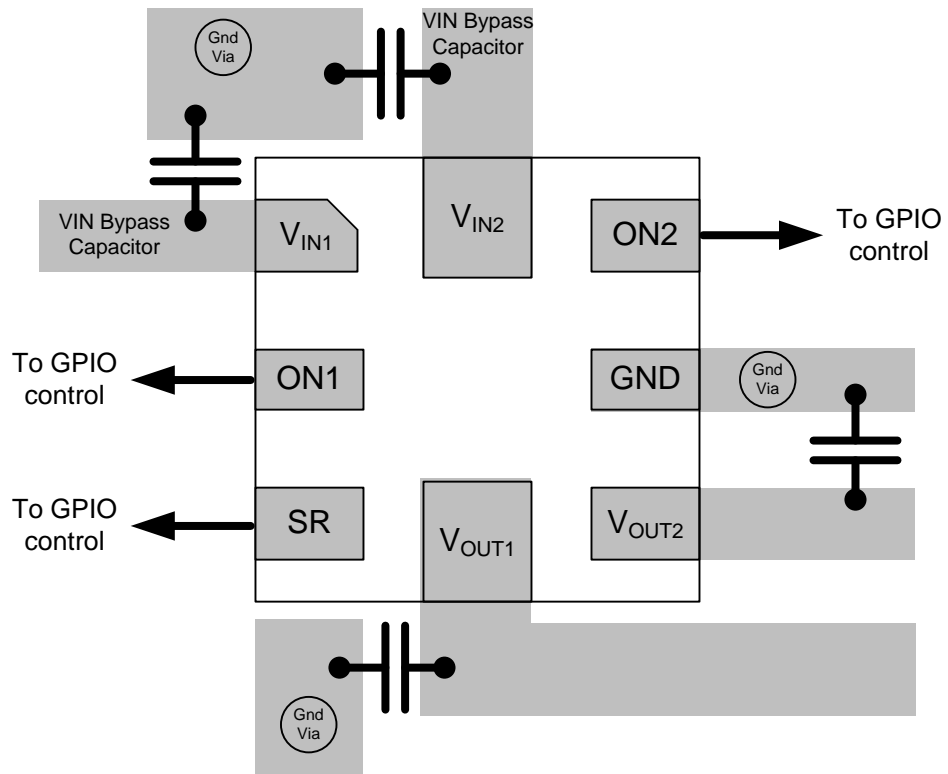


Figure 33. RSE Package Layout

12 Device and Documentation Support

12.1 Community Resources

The following links connect to TI community resources. Linked contents are provided "AS IS" by the respective contributors. They do not constitute TI specifications and do not necessarily reflect TI's views; see TI's [Terms of Use](#).

TI E2E™ Online Community *TI's Engineer-to-Engineer (E2E) Community*. Created to foster collaboration among engineers. At e2e.ti.com, you can ask questions, share knowledge, explore ideas and help solve problems with fellow engineers.

Design Support *TI's Design Support* Quickly find helpful E2E forums along with design support tools and contact information for technical support.

12.2 Trademarks

E2E is a trademark of Texas Instruments.
All other trademarks are the property of their respective owners.

12.3 Electrostatic Discharge Caution



These devices have limited built-in ESD protection. The leads should be shorted together or the device placed in conductive foam during storage or handling to prevent electrostatic damage to the MOS gates.

12.4 Glossary

[SLYZ022](#) — *TI Glossary*.

This glossary lists and explains terms, acronyms, and definitions.

13 Mechanical, Packaging, and Orderable Information

The following pages include mechanical, packaging, and orderable information. This information is the most current data available for the designated devices. This data is subject to change without notice and revision of this document. For browser-based versions of this data sheet, refer to the left-hand navigation.

PACKAGING INFORMATION

Orderable Device	Status (1)	Package Type	Package Drawing	Pins	Package Qty	Eco Plan (2)	Lead/Ball Finish (6)	MSL Peak Temp (3)	Op Temp (°C)	Device Marking (4/5)	Samples
TPS22960DCNR	ACTIVE	SOT-23	DCN	8	3000	Green (RoHS & no Sb/Br)	CU NIPDAU	Level-1-260C-UNLIM	-40 to 85	(NFRO ~ NFRR)	Samples
TPS22960RSER	ACTIVE	UQFN	RSE	8	3000	Green (RoHS & no Sb/Br)	CU NIPDAUAG	Level-1-260C-UNLIM	-40 to 85	72	Samples
TPS22960RSET	ACTIVE	UQFN	RSE	8	250	Green (RoHS & no Sb/Br)	CU NIPDAUAG	Level-1-260C-UNLIM	-40 to 85	72	Samples

(1) The marketing status values are defined as follows:

ACTIVE: Product device recommended for new designs.

LIFEBUY: TI has announced that the device will be discontinued, and a lifetime-buy period is in effect.

NRND: Not recommended for new designs. Device is in production to support existing customers, but TI does not recommend using this part in a new design.

PREVIEW: Device has been announced but is not in production. Samples may or may not be available.

OBSOLETE: TI has discontinued the production of the device.

(2) Eco Plan - The planned eco-friendly classification: Pb-Free (RoHS), Pb-Free (RoHS Exempt), or Green (RoHS & no Sb/Br) - please check <http://www.ti.com/productcontent> for the latest availability information and additional product content details.

TBD: The Pb-Free/Green conversion plan has not been defined.

Pb-Free (RoHS): TI's terms "Lead-Free" or "Pb-Free" mean semiconductor products that are compatible with the current RoHS requirements for all 6 substances, including the requirement that lead not exceed 0.1% by weight in homogeneous materials. Where designed to be soldered at high temperatures, TI Pb-Free products are suitable for use in specified lead-free processes.

Pb-Free (RoHS Exempt): This component has a RoHS exemption for either 1) lead-based flip-chip solder bumps used between the die and package, or 2) lead-based die adhesive used between the die and leadframe. The component is otherwise considered Pb-Free (RoHS compatible) as defined above.

Green (RoHS & no Sb/Br): TI defines "Green" to mean Pb-Free (RoHS compatible), and free of Bromine (Br) and Antimony (Sb) based flame retardants (Br or Sb do not exceed 0.1% by weight in homogeneous material)

(3) MSL, Peak Temp. - The Moisture Sensitivity Level rating according to the JEDEC industry standard classifications, and peak solder temperature.

(4) There may be additional marking, which relates to the logo, the lot trace code information, or the environmental category on the device.

(5) Multiple Device Markings will be inside parentheses. Only one Device Marking contained in parentheses and separated by a "~" will appear on a device. If a line is indented then it is a continuation of the previous line and the two combined represent the entire Device Marking for that device.

(6) Lead/Ball Finish - Orderable Devices may have multiple material finish options. Finish options are separated by a vertical ruled line. Lead/Ball Finish values may wrap to two lines if the finish value exceeds the maximum column width.

Important Information and Disclaimer: The information provided on this page represents TI's knowledge and belief as of the date that it is provided. TI bases its knowledge and belief on information provided by third parties, and makes no representation or warranty as to the accuracy of such information. Efforts are underway to better integrate information from third parties. TI has taken and

continues to take reasonable steps to provide representative and accurate information but may not have conducted destructive testing or chemical analysis on incoming materials and chemicals. TI and TI suppliers consider certain information to be proprietary, and thus CAS numbers and other limited information may not be available for release.

In no event shall TI's liability arising out of such information exceed the total purchase price of the TI part(s) at issue in this document sold by TI to Customer on an annual basis.

TAPE AND REEL INFORMATION

QUADRANT ASSIGNMENTS FOR PIN 1 ORIENTATION IN TAPE


*All dimensions are nominal

Device	Package Type	Package Drawing	Pins	SPQ	Reel Diameter (mm)	Reel Width W1 (mm)	A0 (mm)	B0 (mm)	K0 (mm)	P1 (mm)	W (mm)	Pin1 Quadrant
TPS22960DCNR	SOT-23	DCN	8	3000	180.0	8.4	3.23	3.17	1.37	4.0	8.0	Q3
TPS22960RSER	UQFN	RSE	8	3000	180.0	8.4	1.7	1.7	0.7	4.0	8.0	Q2
TPS22960RSET	UQFN	RSE	8	250	180.0	8.4	1.6	1.6	0.66	4.0	8.0	Q2

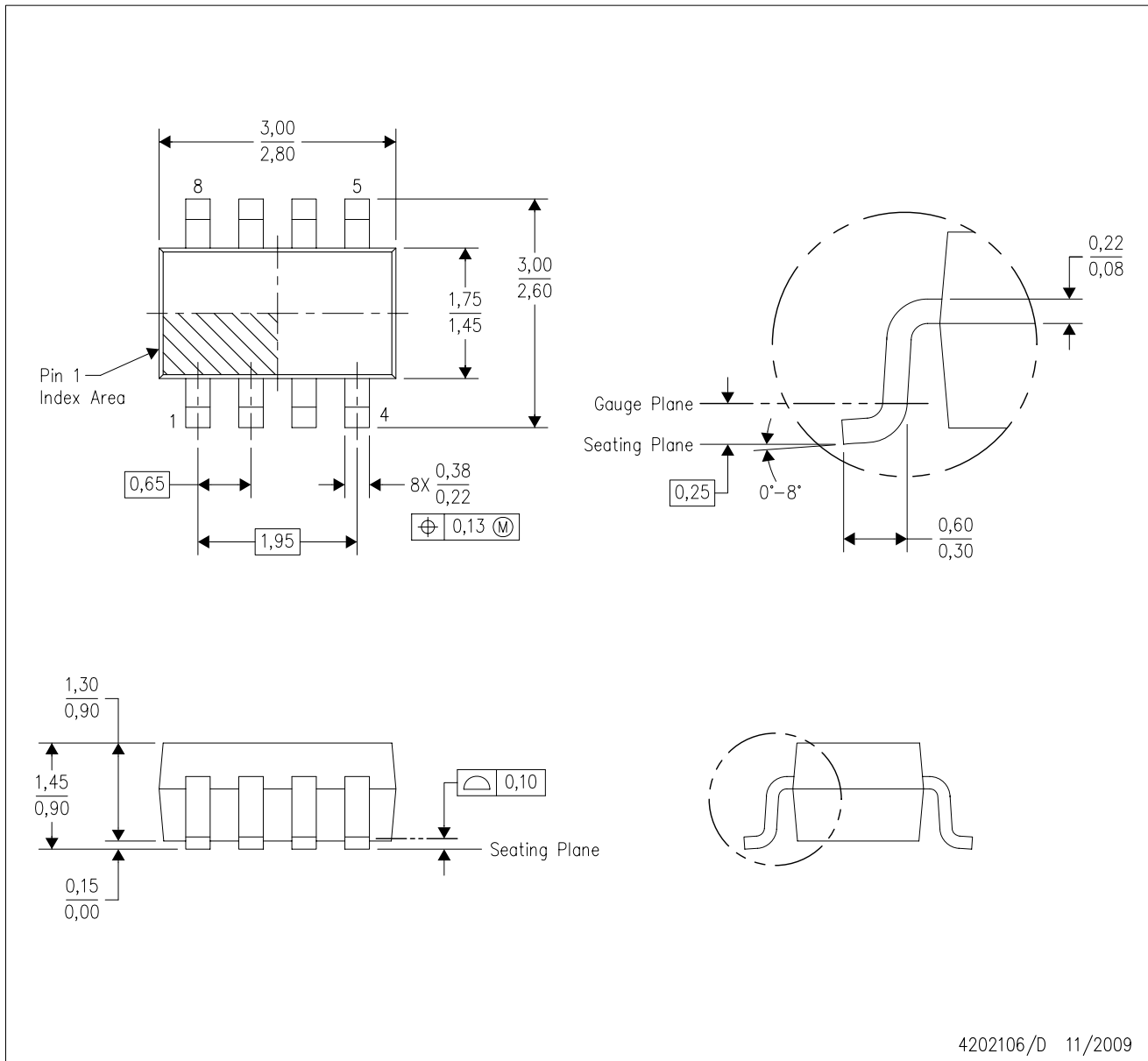
TAPE AND REEL BOX DIMENSIONS


*All dimensions are nominal

Device	Package Type	Package Drawing	Pins	SPQ	Length (mm)	Width (mm)	Height (mm)
TPS22960DCNR	SOT-23	DCN	8	3000	202.0	201.0	28.0
TPS22960RSER	UQFN	RSE	8	3000	202.0	201.0	28.0
TPS22960RSET	UQFN	RSE	8	250	202.0	201.0	28.0

DCN (R-PDSO-G8)

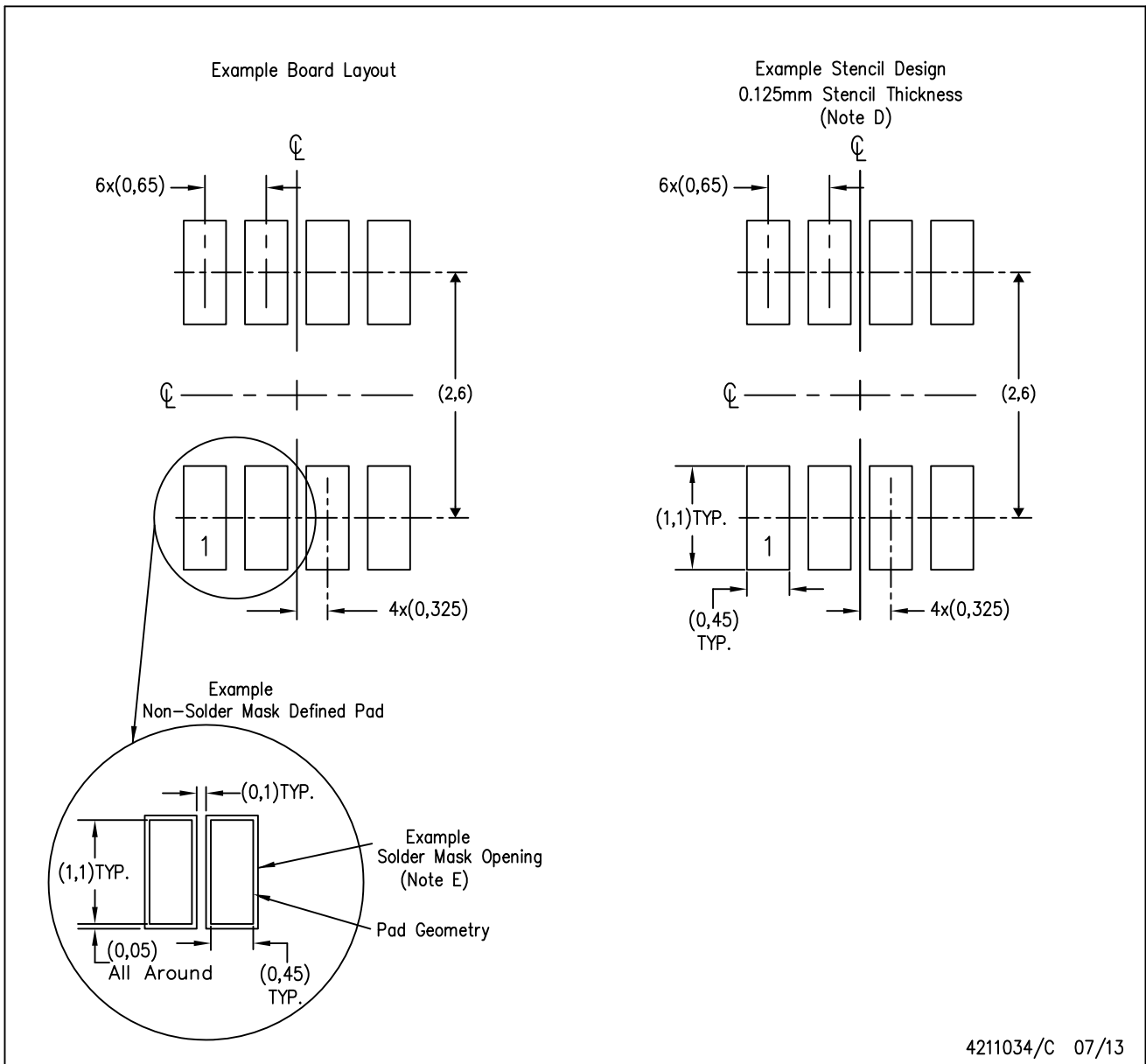
PLASTIC SMALL-OUTLINE PACKAGE (DIE DOWN)



- NOTES:
- A. All linear dimensions are in millimeters.
 - B. This drawing is subject to change without notice.
 - C. Package outline exclusive of metal burr & dambar protrusion/intrusion.
 - D. Package outline inclusive of solder plating.
 - E. A visual index feature must be located within the Pin 1 index area.
 - F. Falls within JEDEC MO-178 Variation BA.
 - G. Body dimensions do not include flash or protrusion. Mold flash and protrusion shall not exceed 0.25 per side.

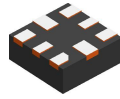
DCN (R-PDSO-G8)

PLASTIC SMALL-OUTLINE PACKAGE (DIE DOWN)



- NOTES:
- A. All linear dimensions are in millimeters.
 - B. This drawing is subject to change without notice.
 - C. Publication IPC-7351 is recommended for alternate designs.
 - D. Laser cutting apertures with trapezoidal walls and also rounding corners will offer better paste release. Customers should contact their board assembly site for stencil design recommendations. Refer to IPC-7525.
 - E. Customers should contact their board fabrication site for solder mask tolerances between and around signal pads.

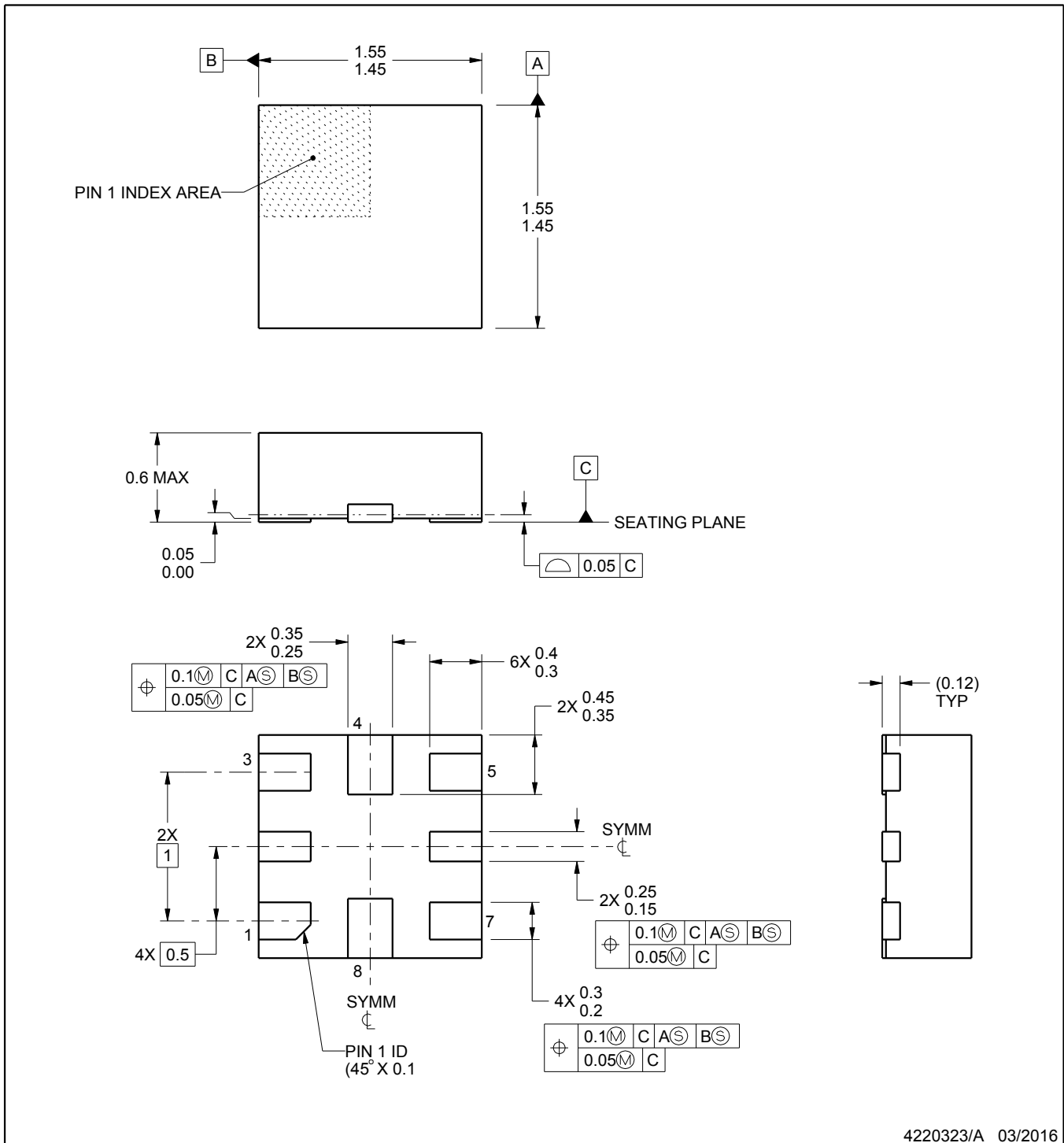
RSE0008A



PACKAGE OUTLINE

UQFN - 0.6 mm max height

PLASTIC QUAD FLATPACK - NO LEAD



4220323/A 03/2016

NOTES:

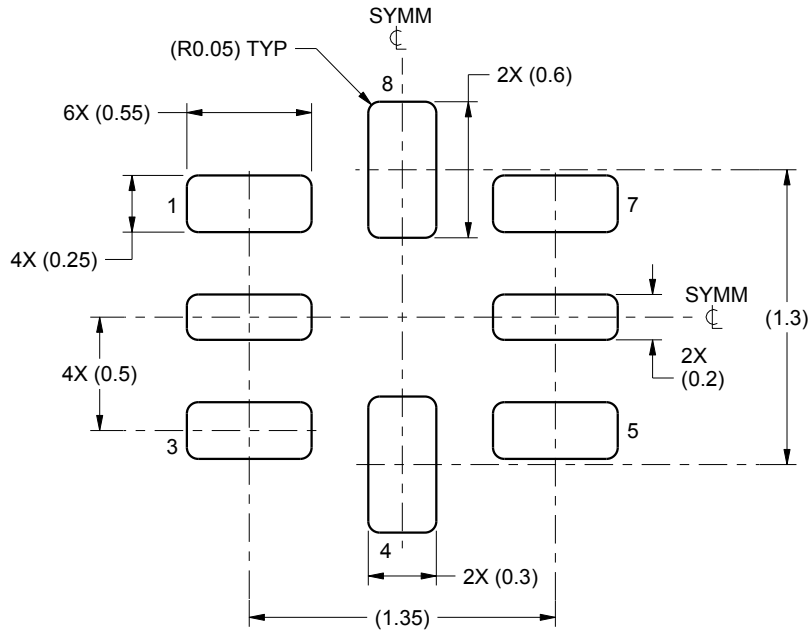
1. All linear dimensions are in millimeters. Any dimensions in parenthesis are for reference only. Dimensioning and tolerancing per ASME Y14.5M.
2. This drawing is subject to change without notice.

EXAMPLE BOARD LAYOUT

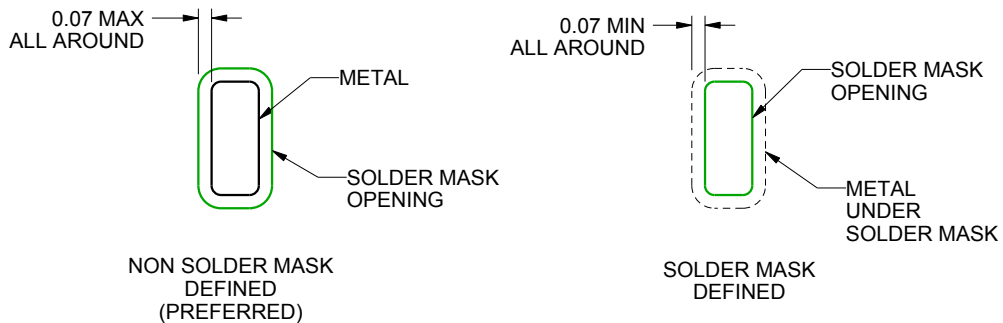
RSE0008A

UQFN - 0.6 mm max height

PLASTIC QUAD FLATPACK - NO LEAD



LAND PATTERN EXAMPLE
SCALE:30X



SOLDER MASK DETAILS
NOT TO SCALE

4220323/A 03/2016

NOTES: (continued)

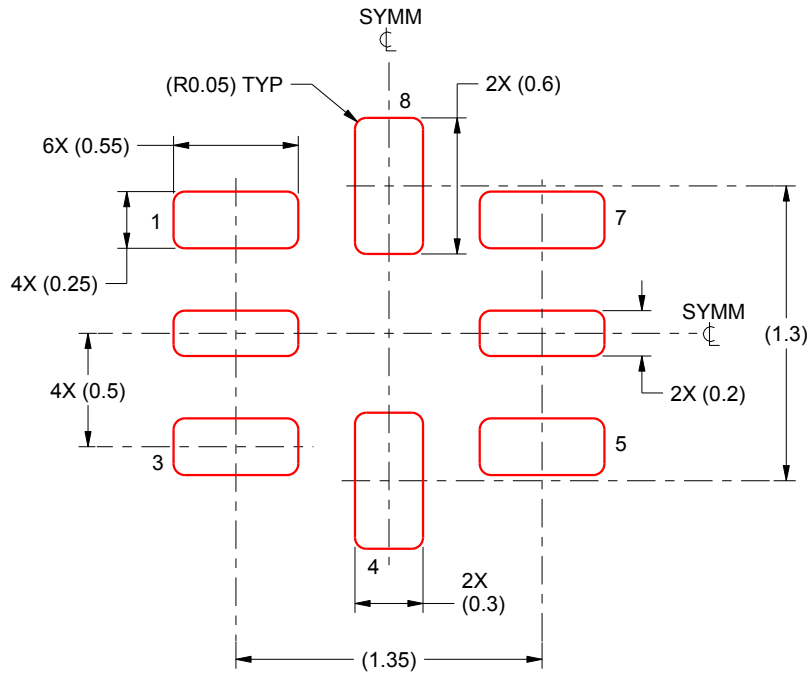
3. For more information, see Texas Instruments literature number SLUA271 (www.ti.com/lit/slua271).

EXAMPLE STENCIL DESIGN

RSE0008A

UQFN - 0.6 mm max height

PLASTIC QUAD FLATPACK - NO LEAD



SOLDER PASTE EXAMPLE
BASED ON 0.1 mm THICKNESS
SCALE: 30X

4220323/A 03/2016

NOTES: (continued)

5. Laser cutting apertures with trapezoidal walls and rounded corners may offer better paste release. IPC-7525 may have alternate design recommendations.

IMPORTANT NOTICE

Texas Instruments Incorporated (TI) reserves the right to make corrections, enhancements, improvements and other changes to its semiconductor products and services per JESD46, latest issue, and to discontinue any product or service per JESD48, latest issue. Buyers should obtain the latest relevant information before placing orders and should verify that such information is current and complete.

TI's published terms of sale for semiconductor products (<http://www.ti.com/sc/docs/stdterms.htm>) apply to the sale of packaged integrated circuit products that TI has qualified and released to market. Additional terms may apply to the use or sale of other types of TI products and services.

Reproduction of significant portions of TI information in TI data sheets is permissible only if reproduction is without alteration and is accompanied by all associated warranties, conditions, limitations, and notices. TI is not responsible or liable for such reproduced documentation. Information of third parties may be subject to additional restrictions. Resale of TI products or services with statements different from or beyond the parameters stated by TI for that product or service voids all express and any implied warranties for the associated TI product or service and is an unfair and deceptive business practice. TI is not responsible or liable for any such statements.

Buyers and others who are developing systems that incorporate TI products (collectively, "Designers") understand and agree that Designers remain responsible for using their independent analysis, evaluation and judgment in designing their applications and that Designers have full and exclusive responsibility to assure the safety of Designers' applications and compliance of their applications (and of all TI products used in or for Designers' applications) with all applicable regulations, laws and other applicable requirements. Designer represents that, with respect to their applications, Designer has all the necessary expertise to create and implement safeguards that (1) anticipate dangerous consequences of failures, (2) monitor failures and their consequences, and (3) lessen the likelihood of failures that might cause harm and take appropriate actions. Designer agrees that prior to using or distributing any applications that include TI products, Designer will thoroughly test such applications and the functionality of such TI products as used in such applications.

TI's provision of technical, application or other design advice, quality characterization, reliability data or other services or information, including, but not limited to, reference designs and materials relating to evaluation modules, (collectively, "TI Resources") are intended to assist designers who are developing applications that incorporate TI products; by downloading, accessing or using TI Resources in any way, Designer (individually or, if Designer is acting on behalf of a company, Designer's company) agrees to use any particular TI Resource solely for this purpose and subject to the terms of this Notice.

TI's provision of TI Resources does not expand or otherwise alter TI's applicable published warranties or warranty disclaimers for TI products, and no additional obligations or liabilities arise from TI providing such TI Resources. TI reserves the right to make corrections, enhancements, improvements and other changes to its TI Resources. TI has not conducted any testing other than that specifically described in the published documentation for a particular TI Resource.

Designer is authorized to use, copy and modify any individual TI Resource only in connection with the development of applications that include the TI product(s) identified in such TI Resource. NO OTHER LICENSE, EXPRESS OR IMPLIED, BY ESTOPPEL OR OTHERWISE TO ANY OTHER TI INTELLECTUAL PROPERTY RIGHT, AND NO LICENSE TO ANY TECHNOLOGY OR INTELLECTUAL PROPERTY RIGHT OF TI OR ANY THIRD PARTY IS GRANTED HEREIN, including but not limited to any patent right, copyright, mask work right, or other intellectual property right relating to any combination, machine, or process in which TI products or services are used. Information regarding or referencing third-party products or services does not constitute a license to use such products or services, or a warranty or endorsement thereof. Use of TI Resources may require a license from a third party under the patents or other intellectual property of the third party, or a license from TI under the patents or other intellectual property of TI.

TI RESOURCES ARE PROVIDED "AS IS" AND WITH ALL FAULTS. TI DISCLAIMS ALL OTHER WARRANTIES OR REPRESENTATIONS, EXPRESS OR IMPLIED, REGARDING RESOURCES OR USE THEREOF, INCLUDING BUT NOT LIMITED TO ACCURACY OR COMPLETENESS, TITLE, ANY EPIDEMIC FAILURE WARRANTY AND ANY IMPLIED WARRANTIES OF MERCHANTABILITY, FITNESS FOR A PARTICULAR PURPOSE, AND NON-INFRINGEMENT OF ANY THIRD PARTY INTELLECTUAL PROPERTY RIGHTS. TI SHALL NOT BE LIABLE FOR AND SHALL NOT DEFEND OR INDEMNIFY DESIGNER AGAINST ANY CLAIM, INCLUDING BUT NOT LIMITED TO ANY INFRINGEMENT CLAIM THAT RELATES TO OR IS BASED ON ANY COMBINATION OF PRODUCTS EVEN IF DESCRIBED IN TI RESOURCES OR OTHERWISE. IN NO EVENT SHALL TI BE LIABLE FOR ANY ACTUAL, DIRECT, SPECIAL, COLLATERAL, INDIRECT, PUNITIVE, INCIDENTAL, CONSEQUENTIAL OR EXEMPLARY DAMAGES IN CONNECTION WITH OR ARISING OUT OF TI RESOURCES OR USE THEREOF, AND REGARDLESS OF WHETHER TI HAS BEEN ADVISED OF THE POSSIBILITY OF SUCH DAMAGES.

Unless TI has explicitly designated an individual product as meeting the requirements of a particular industry standard (e.g., ISO/TS 16949 and ISO 26262), TI is not responsible for any failure to meet such industry standard requirements.

Where TI specifically promotes products as facilitating functional safety or as compliant with industry functional safety standards, such products are intended to help enable customers to design and create their own applications that meet applicable functional safety standards and requirements. Using products in an application does not by itself establish any safety features in the application. Designers must ensure compliance with safety-related requirements and standards applicable to their applications. Designer may not use any TI products in life-critical medical equipment unless authorized officers of the parties have executed a special contract specifically governing such use. Life-critical medical equipment is medical equipment where failure of such equipment would cause serious bodily injury or death (e.g., life support, pacemakers, defibrillators, heart pumps, neurostimulators, and implantables). Such equipment includes, without limitation, all medical devices identified by the U.S. Food and Drug Administration as Class III devices and equivalent classifications outside the U.S.

TI may expressly designate certain products as completing a particular qualification (e.g., Q100, Military Grade, or Enhanced Product). Designers agree that it has the necessary expertise to select the product with the appropriate qualification designation for their applications and that proper product selection is at Designers' own risk. Designers are solely responsible for compliance with all legal and regulatory requirements in connection with such selection.

Designer will fully indemnify TI and its representatives against any damages, costs, losses, and/or liabilities arising out of Designer's non-compliance with the terms and provisions of this Notice.