



16-Channel, Constant-Current LED Driver with Switching Delay

Check for Samples: [TLC59284](#)

FEATURES

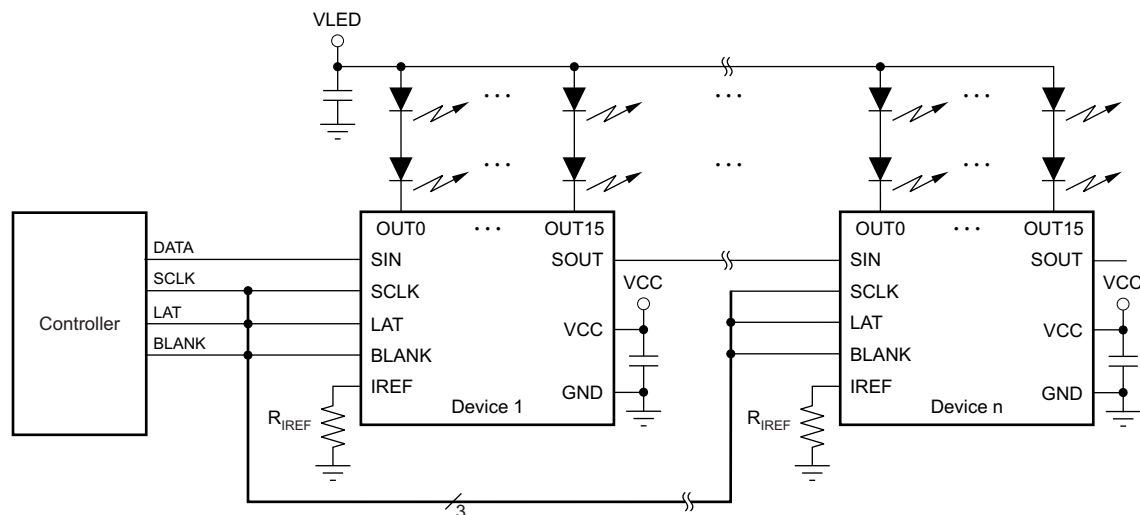
- 16-Channel, Constant-Current Sink Output with On and Off Control
- Constant-Current Sink Capability:
 - 35 mA ($V_{CC} \leq 3.6$ V)
 - 45 mA ($V_{CC} > 3.6$ V)
- LED Power-Supply Voltage: Up to 10 V
- V_{CC} : 3 V to 5.5 V
- Constant-Current Accuracy:
 - Channel-to-Channel: $\pm 1.4\%$ (typ), $\pm 3\%$ (max)
 - Device-to-Device: $\pm 2\%$ (typ), $\pm 4\%$ (max)
- CMOS Logic Level I/O
- Data Transfer Rate: 35 MHz
- BLANK Pulse Width: 50 ns
- Switching Delay for Noise Reduction
- Operating Temperature: -40°C to $+85^{\circ}\text{C}$

APPLICATIONS

- Video Displays
- Message Boards

DESCRIPTION

The TLC59284 is a 16-channel, constant-current sink light-emitting diode (LED) driver. Each channel can be individually controlled with a simple serial communications protocol that is compatible with 3.3-V or 5-V CMOS logic levels, depending on the operating VCC. When the serial data buffer is loaded, a LAT rising edge transfers the data to the OUTn outputs. The BLANK pin can be used to turn off all OUTn outputs during power-on and output data latching to prevent unwanted image displays during these times. The constant-current value of all 16 channels is set by a single external resistor.



Typical Application Circuit (Multiple Daisy-Chainned TLC59284s)



Please be aware that an important notice concerning availability, standard warranty, and use in critical applications of Texas Instruments semiconductor products and disclaimers thereto appears at the end of this data sheet.

All trademarks are the property of their respective owners.



This integrated circuit can be damaged by ESD. Texas Instruments recommends that all integrated circuits be handled with appropriate precautions. Failure to observe proper handling and installation procedures can cause damage.

ESD damage can range from subtle performance degradation to complete device failure. Precision integrated circuits may be more susceptible to damage because very small parametric changes could cause the device not to meet its published specifications.

PACKAGE AND ORDERING INFORMATION⁽¹⁾

| PRODUCT | PACKAGE-LEAD | ORDERING NUMBER | TRANSPORT MEDIA, QUANTITY |
|----------|------------------|-----------------|---------------------------|
| TLC59284 | SSOP-24, QSOP-24 | TLC59284DBQR | Tape and Reel, 2500 |
| | | TLC59284DBQ | Tube, 50 |

- (1) For the most current package and ordering information, see the Package Option Addendum at the end of this document, or visit the device product folder at www.ti.com.

ABSOLUTE MAXIMUM RATINGS⁽¹⁾⁽²⁾

Over operating free-air temperature range, unless otherwise noted.

| | | VALUE | | UNIT |
|---------------------------------------|----------------------------------|-------|----------------|------|
| | | MIN | MAX | |
| Supply voltage | V_{CC} | -0.3 | +6 | V |
| Input voltage range, V_{IN} | SIN, SCLK, LAT, BLANK, IREF | -0.3 | $V_{CC} + 0.3$ | V |
| Output voltage range, V_{OUT} | Output range, SOUT | -0.3 | $V_{CC} + 0.3$ | V |
| | Output range, OUT0 to OUT15 | -0.3 | +11 | V |
| Current, I_{OUT} | Output (dc), OUT0 to OUT15 | | +50 | mA |
| Temperature | Operating junction, $T_{J(MAX)}$ | | +150 | °C |
| | Storage range, T_{stg} | -55 | +150 | °C |
| Electrostatic discharge (ESD) ratings | Human body model (HBM) | | 4000 | V |
| | Charged device model (CDM) | | 2000 | V |

- (1) Stresses above these ratings may cause permanent damage. Exposure to absolute maximum conditions for extended periods may degrade device reliability. These are stress ratings only, and functional operation of the device at these or any other conditions beyond those specified is not supported.
- (2) All voltage values are with respect to network ground terminal.

THERMAL INFORMATION

| THERMAL METRIC ⁽¹⁾ | | TLC59284 | UNITS |
|-------------------------------|--|----------|-------|
| | | DBQ | |
| | | 24 PINS | |
| θ_{JA} | Junction-to-ambient thermal resistance | 91.5 | °C/W |
| θ_{JCTop} | Junction-to-case (top) thermal resistance | 55.2 | |
| θ_{JB} | Junction-to-board thermal resistance | 44.9 | |
| Ψ_{JT} | Junction-to-top characterization parameter | 16.8 | |
| Ψ_{JB} | Junction-to-board characterization parameter | 44.5 | |
| θ_{JCbott} | Junction-to-case (bottom) thermal resistance | N/A | |

- (1) For more information about traditional and new thermal metrics, see the *IC Package Thermal Metrics* application report, [SPRA953](http://www.ti.com/lit/zip/spra953).

RECOMMENDED OPERATING CONDITIONS

 At $T_A = -40^\circ\text{C}$ to $+85^\circ\text{C}$, unless otherwise noted.

| PARAMETER | | | TEST CONDITIONS | TLC59284 | | UNIT |
|--|------------------------------------|------------------------------------|---|----------------------------------|---------------------|------------------|
| | | | | MIN | MAX | |
| DC CHARACTERISTICS ($V_{CC} = 3\text{ V to }5.5\text{ V}$) | | | | | | |
| V_{CC} | Supply voltage | | | 3 | 5.5 | V |
| V_O | Voltage applied to output | | OUT0 to OUT15 | | 10 | V |
| V_{IH} | Input voltage | High | SIN, SCLK, LAT, BLANK | $0.7 \times V_{CC}$ | V_{CC} | V |
| V_{IL} | | Low | SIN, SCLK, LAT, BLANK | GND | $0.3 \times V_{CC}$ | V |
| I_{OH} | Output current | High | SOUT | | -2 | mA |
| I_{OL} | | Low | SOUT | | 2 | mA |
| I_{OLC} | Constant output sink current | | OUT0 to OUT15, $3\text{ V} \leq V_{CC} \leq 3.6\text{ V}$ | 2 | 35 | mA |
| | | | OUT0 to OUT15, $3.6\text{ V} < V_{CC} \leq 5.5\text{ V}$ | 2 | 45 | mA |
| T_A | Temperature range | Operating free-air | | -40 | +85 | $^\circ\text{C}$ |
| T_J | | Operating junction | | -40 | +125 | $^\circ\text{C}$ |
| AC CHARACTERISTICS ($V_{CC} = 3\text{ V to }5.5\text{ V}$) | | | | | | |
| f_{CLK} (SCLK) | Data shift clock frequency | | SCLK | | 35 | MHz |
| t_{WH0} | Pulse duration | | SCLK | 10 | | ns |
| t_{WL0} | | | SCLK | 10 | | ns |
| t_{WH1} | | | LAT | 20 | | ns |
| t_{WH2} | | | BLANK | 100 | | ns |
| t_{WL2} | | | BLANK | 50 | | ns |
| t_{SU0} | | | Setup time | SIN \uparrow – SCLK \uparrow | 4 | |
| t_{SU1} | LAT \downarrow – SCLK \uparrow | 10 | | | ns | |
| t_{H0} | Hold time | SIN \uparrow – SCLK \uparrow | 4 | | ns | |
| t_{H1} | | LAT \downarrow – SCLK \uparrow | 10 | | ns | |

ELECTRICAL CHARACTERISTICS

All minimum and maximum specifications are at $T_A = -40^\circ\text{C}$ to $+85^\circ\text{C}$ and $V_{CC} = 3\text{ V}$ to 5.5 V , unless otherwise noted. Typical specifications are at $T_A = +25^\circ\text{C}$ and $V_{CC} = 3.3\text{ V}$.

| PARAMETER | | | TEST CONDITIONS | TLC59284 | | | UNIT | |
|-------------------|--------------------------------|-----------------------------------|--|---------------------------|------------|----------|---------------|---------------|
| | | | | MIN | TYP | MAX | | |
| V_{OH} | Output voltage | High | $I_{OH} = -2\text{ mA}$ at SOUT | $V_{CC} - 0.4$ | | V_{CC} | V | |
| V_{OL} | | Low | $I_{OL} = 2\text{ mA}$ at SOUT | | | 0.4 | V | |
| V_{IREF} | Reference voltage output | | $R_{IREF} = 1.5\text{ k}\Omega$, $T_A = +25^\circ\text{C}$ | | 1.208 | | V | |
| I_{IN} | Input current | | $V_{IN} = V_{CC}$ or GND at SIN and SCLK | -1 | | 1 | μA | |
| I_{CC0} | Supply current (V_{CC}) | | SIN, SCLK, LAT = GND, BLANK = $V_{OUTn} = V_{CC}$, $R_{IREF} = \text{open}$ | | 1 | 2 | mA | |
| I_{CC1} | | | SIN, SCLK, LAT = GND, BLANK = $V_{OUTn} = V_{CC}$, $R_{IREF} = 3\text{ k}\Omega$ ($I_{OUT} = 17.6\text{ mA}$ target) | | 3 | 4 | mA | |
| I_{CC2} | | | All $OUTn = \text{ON}$, SIN, SCLK, LAT, BLANK = GND, $V_{OUTn} = 0.8\text{ V}$, $R_{IREF} = 3\text{ k}\Omega$ | | 7 | 9 | mA | |
| I_{CC3} | | | All $OUTn = \text{ON}$, SIN, SCLK, LAT, BLANK = GND, $V_{OUTn} = 0.8\text{ V}$, $R_{IREF} = 1.5\text{ k}\Omega$ ($I_{OUT} = 35.3\text{ mA}$ target) | | 8 | 11 | mA | |
| I_{OLC} | Constant output current | | All $OUTn = \text{ON}$, $V_{OUTn} = V_{OUTfix} = 0.8\text{ V}$, $R_{IREF} = 1.5\text{ k}\Omega$, $T_A = +25^\circ\text{C}$ (see Figure 8) | 32.9 | 35.3 | 37.7 | mA | |
| I_{OLKG0} | Output leakage current | | All $OUTn = \text{OFF}$, $V_{OUTn} = V_{OUTfix} = 10\text{ V}$, BLANK = V_{CC} , $R_{IREF} = 1.5\text{ k}\Omega$ (see Figure 8) | | | 0.1 | μA | |
| | | | | $T_J = +25^\circ\text{C}$ | | | 0.2 | μA |
| | | | | $T_J = +85^\circ\text{C}$ | | | 0.07 | 0.5 |
| ΔI_{OLC0} | Constant-current error | Channel-to-channel ⁽¹⁾ | All $OUTn = \text{ON}$, $V_{OUTn} = V_{OUTfix} = 0.8\text{ V}$, $R_{IREF} = 1.5\text{ k}\Omega$, $T_A = +25^\circ\text{C}$ (see Figure 8) | | ± 1.4 | ± 3 | % | |
| | | Device-to-device ⁽²⁾ | All $OUTn = \text{ON}$, $V_{OUTn} = V_{OUTfix} = 0.8\text{ V}$, $R_{IREF} = 1.5\text{ k}\Omega$, $T_A = +25^\circ\text{C}$ (see Figure 8) | | ± 2 | ± 4 | % | |
| ΔI_{OLC2} | Line regulation ⁽³⁾ | | All $OUTn = \text{ON}$, $V_{OUTn} = V_{OUTfix} = 0.8\text{ V}$, $R_{IREF} = 1.5\text{ k}\Omega$, $V_{CC} = 3\text{ V}$ to 5.5 V | | ± 0.05 | ± 1 | %/V | |
| ΔI_{OLC3} | Load regulation ⁽⁴⁾ | | All $OUTn = \text{ON}$, $V_{OUTn} = 0.8\text{ V}$ to 3 V , $V_{OUTfix} = 0.8\text{ V}$, $R_{IREF} = 1.5\text{ k}\Omega$ | | ± 0.5 | ± 1 | %/V | |
| R_{PUP} | Resistor | Pull-up | BLANK | 250 | 500 | 750 | k Ω | |
| R_{PDWN} | | Pull-down | LAT | 250 | 500 | 750 | k Ω | |

(1) The deviation of each output from the average of OUT0 to OUT15 constant-current. Deviation is calculated by the formula:

$$\Delta (\%) = \left[\frac{I_{OUTn}}{\frac{(I_{OUT0} + I_{OUT1} + \dots + I_{OUT14} + I_{OUT15})}{16}} - 1 \right] \times 100$$

(2) The deviation of the OUT0 to OUT15 constant-current average from the ideal constant-current value. Deviation is calculated by the following formula:

$$\Delta (\%) = \left[\frac{\frac{(I_{OUT0} + I_{OUT1} + \dots + I_{OUT14} + I_{OUT15})}{16} - (\text{Ideal Output Current})}{\text{Ideal Output Current}} \right] \times 100$$

Ideal current is calculated by the formula:

$$I_{OUT(\text{IDEAL})} = 43.8 \times \left[\frac{1.208\text{ V}}{R_{IREF}} \right]$$

(3) Line regulation is calculated by this equation:

$$\Delta (\%/V) = \left[\frac{(I_{OUTn} \text{ at } V_{CC} = 5.5\text{ V}) - (I_{OUTn} \text{ at } V_{CC} = 3\text{ V})}{(I_{OUTn} \text{ at } V_{CC} = 3\text{ V})} \right] \times \frac{100}{5.5\text{ V} - 3\text{ V}}$$

(4) Load regulation is calculated by the equation:

$$\Delta (\%/V) = \left[\frac{(I_{OUTn} \text{ at } V_{OUTn} = 3\text{ V}) - (I_{OUTn} \text{ at } V_{OUTn} = 1\text{ V})}{(I_{OUTn} \text{ at } V_{OUTn} = 1\text{ V})} \right] \times \frac{100}{3\text{ V} - 1\text{ V}}$$

SWITCHING CHARACTERISTICS

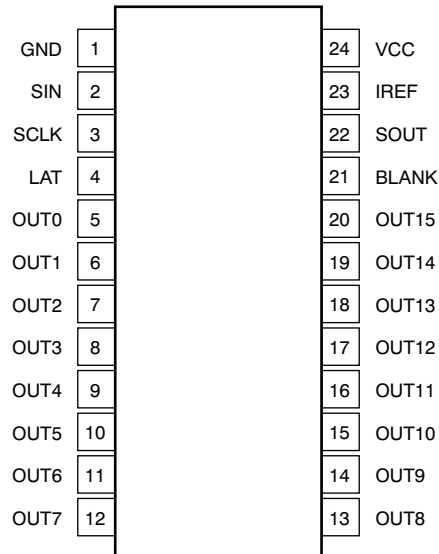
All minimum and maximum specifications are at $T_A = -40^{\circ}\text{C}$ to $+85^{\circ}\text{C}$, $V_{CC} = 3\text{ V}$ to 5.5 V , $C_L = 15\text{ pF}$, $R_L = 110\ \Omega$, $R_{IREF} = 1.5\text{ k}\Omega$, and $V_{LED} = 5.0\text{ V}$, unless otherwise noted. Typical values are at $T_A = +25^{\circ}\text{C}$ and $V_{CC} = 3.3\text{ V}$.

| PARAMETER | | TEST CONDITIONS | TLC59284 | | | UNIT |
|---------------|-------------------------------------|---|----------|-----|-----|------|
| | | | MIN | TYP | MAX | |
| t_{R0} | Rise time | SOUT (see Figure 7) | | 3 | 10 | ns |
| t_{R1} | | OUT n (see Figure 6) | | 44 | | ns |
| t_{F0} | Fall time | SOUT (see Figure 7) | | 3 | 10 | ns |
| t_{F1} | | OUT n (see Figure 6) | | 44 | | ns |
| t_{D0} | Propagation delay time | SCLK \uparrow to SOUT $\uparrow\downarrow$ | | 11 | 20 | ns |
| t_{D1} | | LAT \uparrow or BLANK $\uparrow\downarrow$ to OUT0 on or off, $T_A = +25^{\circ}\text{C}$ | | 60 | 100 | ns |
| t_{D2} | | Grouped OUT n on or off to next group on or off, $T_A = +25^{\circ}\text{C}$ | | 2 | | ns |
| t_{ON_ERR} | Output on-time error ⁽¹⁾ | Output on or off latch data = all '1', 50-ns BLANK GND level pulse, $V_{CC} = 3.3\text{ V}$, $T_A = +25^{\circ}\text{C}$ | -45 | | 45 | ns |

- (1) Output on-time error (t_{ON_ERR}) is calculated by the formula: t_{ON_ERR} (ns) = t_{OUT_ON} – BLANK low-level one-shot pulse width (t_{WL2}). t_{OUT_ON} indicates the actual on-time of the constant-current output.

PIN CONFIGURATIONS

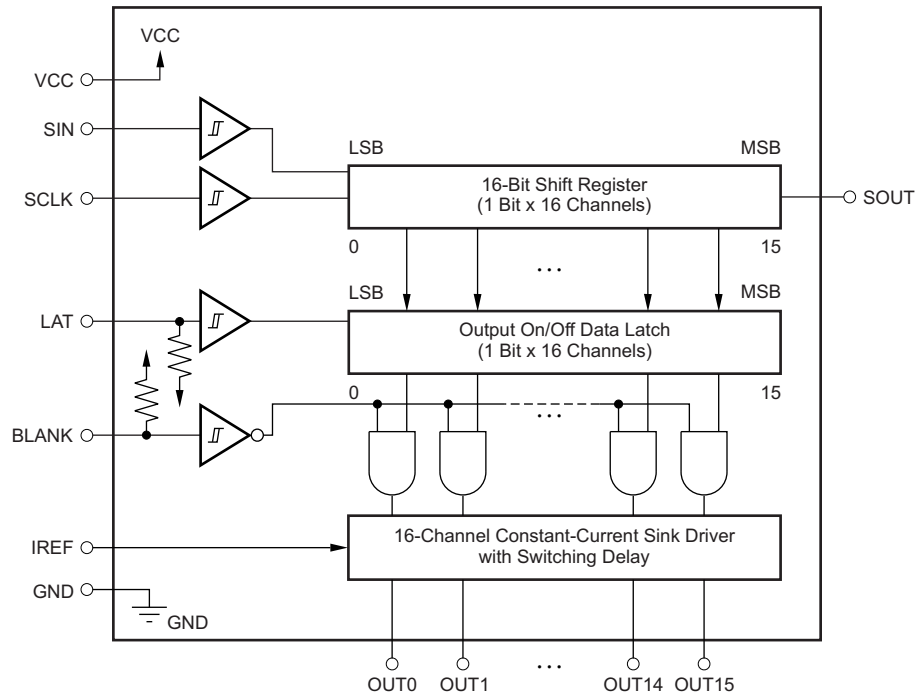
**DBQ PACKAGE
SSOP-24 AND QSOP-24
(TOP VIEW)**



PIN DESCRIPTIONS

| PIN | | I/O | DESCRIPTION |
|-------|--------|-----|---|
| NAME | NUMBER | | |
| BLANK | 21 | I | All outputs empty (blank); Schmitt buffer input. When BLANK is high, all constant-current outputs (OUT0 to OUT15) are forced off. When BLANK is low, all constant-current outputs are controlled by the data in the output on or off data latch. This pin is internally pulled up to V_{CC} with a 500-k Ω (typ) resistor. |
| GND | 1 | — | Power ground |
| IREF | 23 | I/O | Constant-current value setting, the OUT0 to OUT15 sink constant-current outputs are set to the desired values by connecting an external resistor between IREF and GND. |
| LAT | 4 | I | Level-triggered latch; Schmitt buffer input. The data in the 16-bit shift register continue to transfer to the output on or off data latch while LAT is high. Therefore, if the data in the 16-bit shift register are changed when LAT is high, the data in the data latch are also changed. The data in the data latch are held when LAT is low. This pin is internally pulled down to GND with a 500-k Ω (typ) resistor. |
| OUT0 | 5 | O | Constant-current output. Each output can be tied together with others to increase the constant-current. Different voltages can be applied to each output. |
| OUT1 | 6 | O | Constant-current output |
| OUT2 | 7 | O | Constant-current output |
| OUT3 | 8 | O | Constant-current output |
| OUT4 | 9 | O | Constant-current output |
| OUT5 | 10 | O | Constant-current output |
| OUT6 | 11 | O | Constant-current output |
| OUT7 | 12 | O | Constant-current output |
| OUT8 | 13 | O | Constant-current output |
| OUT9 | 14 | O | Constant-current output |
| OUT10 | 15 | O | Constant-current output |
| OUT11 | 16 | O | Constant-current output |
| OUT12 | 17 | O | Constant-current output |
| OUT13 | 18 | O | Constant-current output |
| OUT14 | 19 | O | Constant-current output |
| OUT15 | 20 | O | Constant-current output |
| SCLK | 3 | I | Serial data shift clock; Schmitt buffer input. All data in the 16-bit shift register are shifted toward the MSB by a 1-bit SCLK synchronization. |
| SIN | 2 | I | Serial data input for driver on or off control; Schmitt buffer input. When SIN is high, the LSB is set to '1' for only one SCLK input rising edge. If two SCLK rising edges are input while SIN is high, then the 16-bit shift register LSB and LSB+1 are set to '1'. When SIN is low, the LSB is set to '0' at the SCLK input rising edge. |
| SOUT | 22 | O | Serial data output. This output is connected to the 16-bit shift register MSB. SOUT data changes at the SCLK rising edge. |
| VCC | 24 | — | Power-supply voltage |

FUNCTIONAL BLOCK DIAGRAM



PARAMETER MEASUREMENT INFORMATION

PIN-EQUIVALENT INPUT AND OUTPUT SCHEMATIC DIAGRAMS

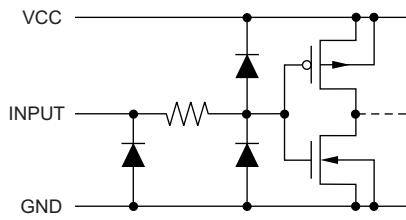


Figure 1. SIN and SCLK

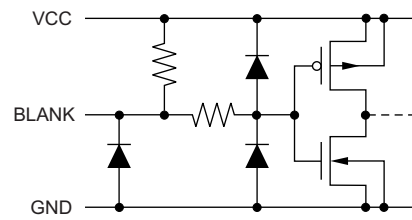


Figure 3. BLANK

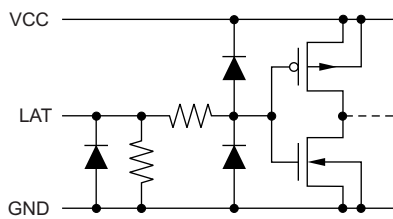


Figure 2. LAT

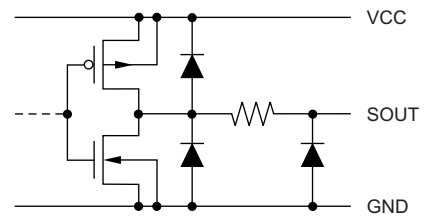
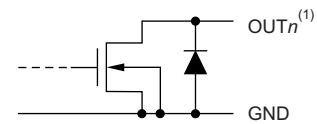


Figure 4. SOUT



(1) n = 0 to 15.

Figure 5. OUT0 Through OUT15

TEST CIRCUITS

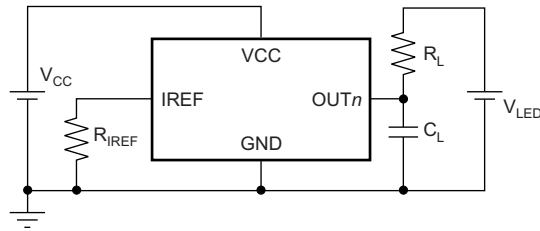


Figure 6. OUT_n Rise and Fall Time Test Circuit

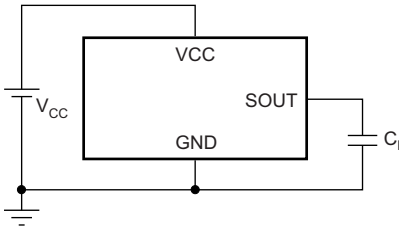


Figure 7. SOUT Rise and Fall Time Test Circuit

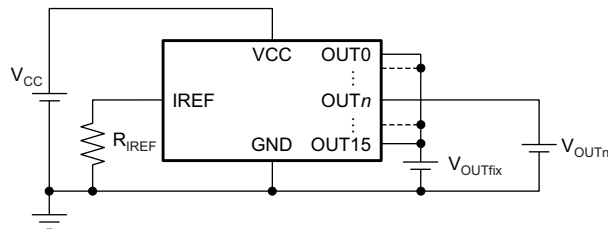
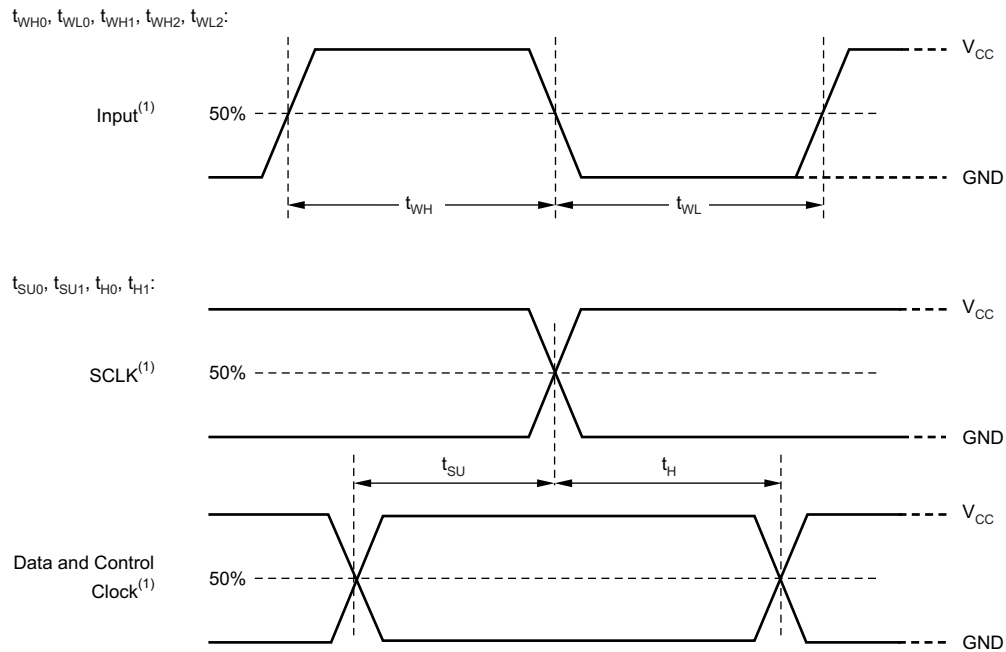


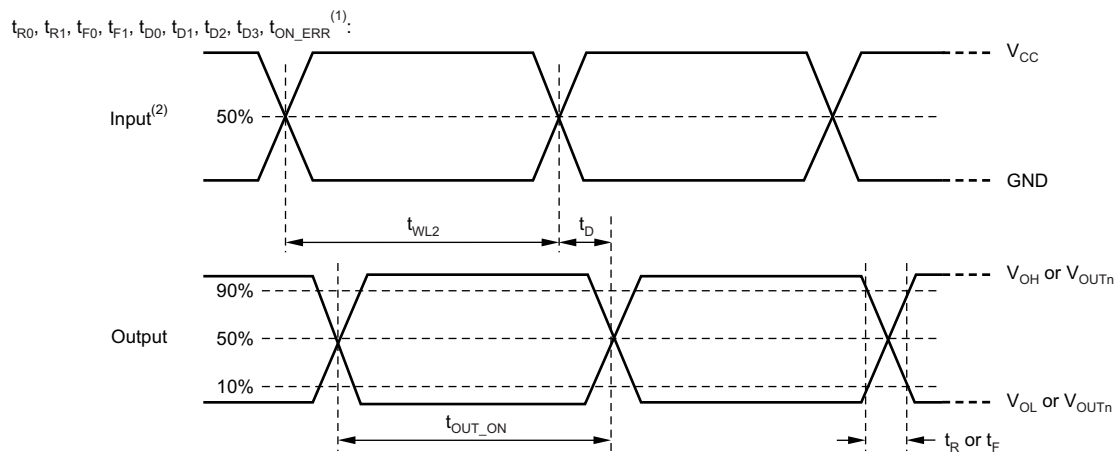
Figure 8. OUT_n Constant-Current Test Circuit

TIMING DIAGRAMS



(1) Input pulse rise and fall time is 1 ns to 3 ns.

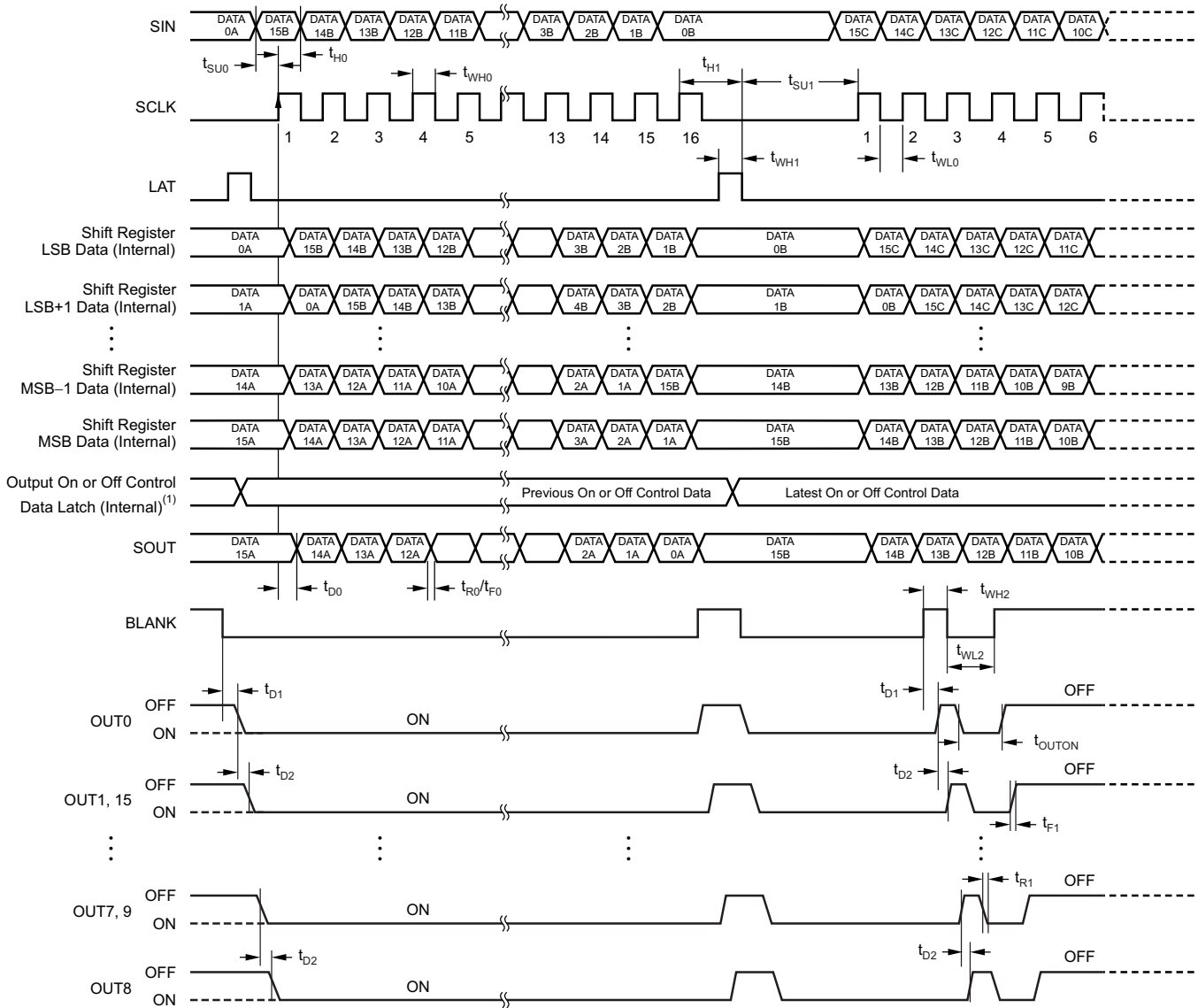
Figure 9. Input Timing Diagram



(1) t_{ON_ERR} is calculated by $t_{OUT_ON} - t_{WL2}$.

(2) Input pulse rise and fall time is 1 ns to 3 ns.

Figure 10. Output Timing Diagram



(1) Output on or off data = FFFFh.

(2) $t_{ON_ERR} = t_{OUTON} - t_{WL2}$.

Figure 11. Data Write and Output On or Off Timing Diagram

TYPICAL CHARACTERISTICS

At $T_A = +25^\circ\text{C}$ and $V_{CC} = 3.3\text{ V}$, unless otherwise noted.

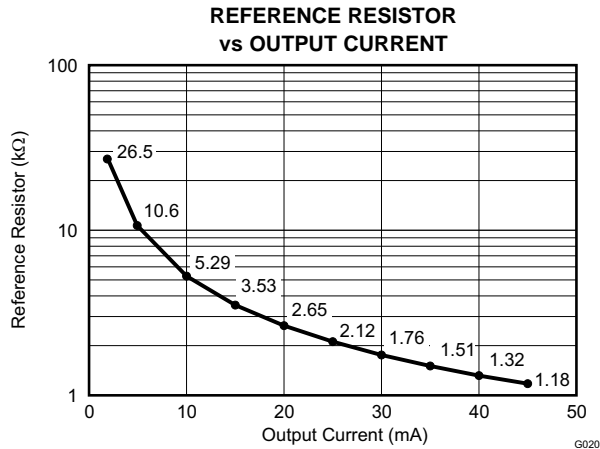


Figure 12.

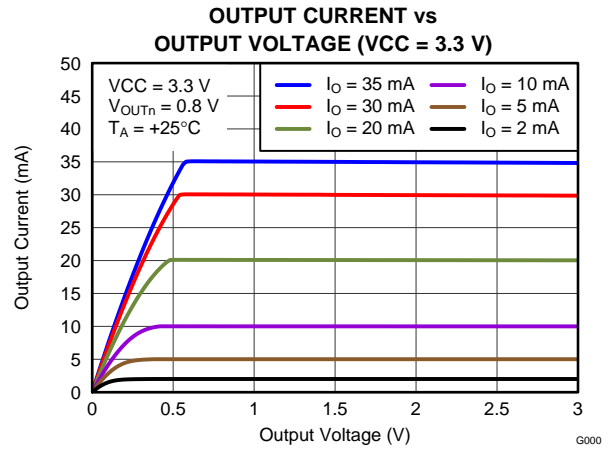


Figure 13.

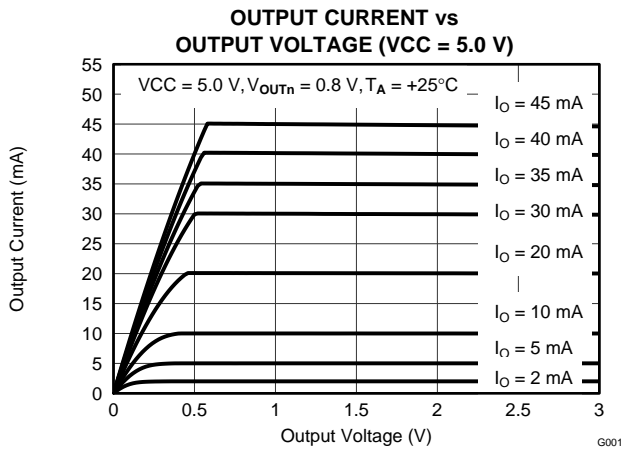


Figure 14.

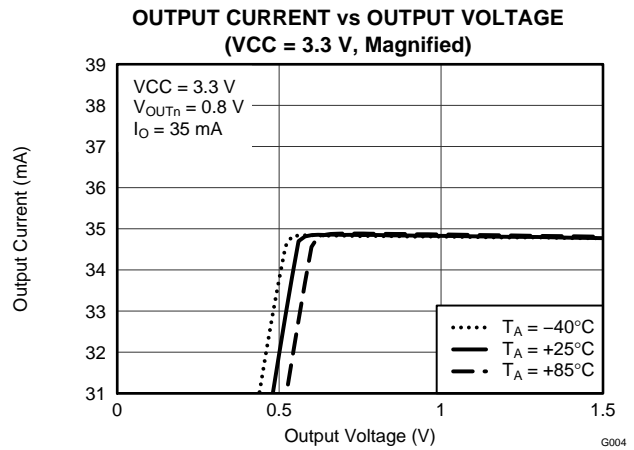


Figure 15.

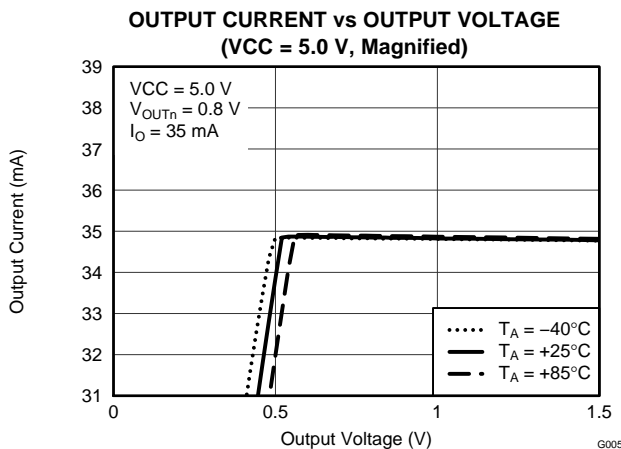


Figure 16.

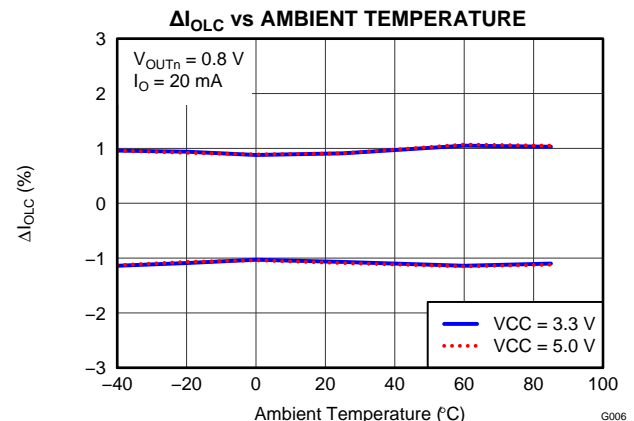


Figure 17.

TYPICAL CHARACTERISTICS (continued)

At $T_A = +25^\circ\text{C}$ and $V_{CC} = 3.3\text{ V}$, unless otherwise noted.

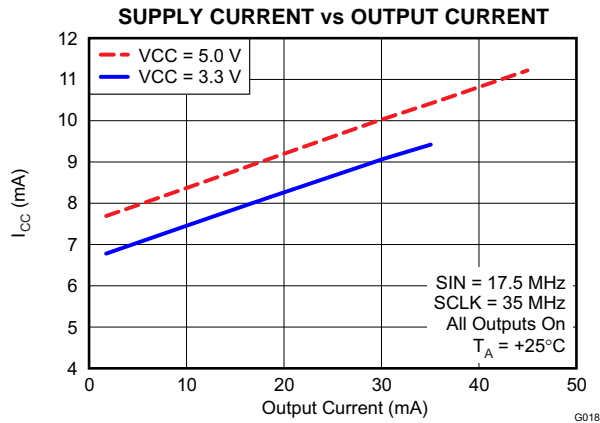


Figure 18.

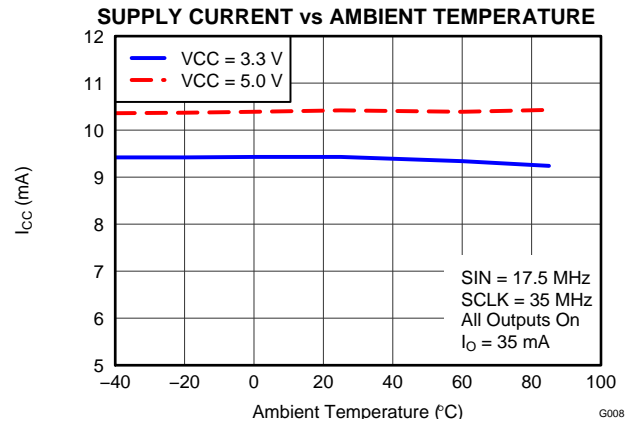


Figure 19.

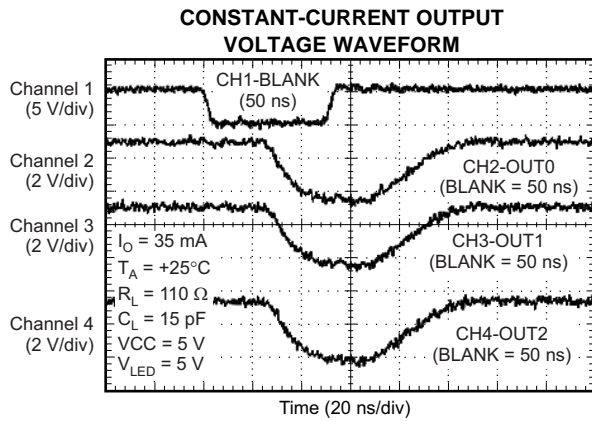


Figure 20.

DETAILED DESCRIPTION

CONSTANT SINK CURRENT VALUE SETTING

The constant-current values are determined by an external resistor (R_{IREF}) placed between IREF and GND. The resistor (R_{IREF}) value is calculated by [Equation 1](#).

$$R_{IREF} \text{ (k}\Omega\text{)} = \frac{V_{IREF} \text{ (V)}}{I_{OLC} \text{ (mA)}} \times 43.8$$

Where:

$$V_{IREF} = \text{the internal reference voltage on the IREF pin (typically 1.208 V)} \quad (1)$$

I_{OLC} must be set in the range of 2 mA to 35 mA when V_{CC} is less than 3.6 V. Also, when V_{CC} is equal to 3.6 V or greater, I_{OLC} must be set in the range of 2 mA to 45 mA. The constant sink current characteristic for the external resistor value is illustrated in [Figure 12](#). [Table 1](#) describes the constant-current output versus external resistor value.

Table 1. Constant-Current Output versus External Resistor Value

| I_{OLC} (mA) | R_{IREF} (k Ω , Typical) |
|-----------------------------|-----------------------------------|
| 45 ($V_{CC} > 3.6$ V only) | 1.18 |
| 40 ($V_{CC} > 3.6$ V only) | 1.32 |
| 35 | 1.51 |
| 30 | 1.76 |
| 25 | 2.12 |
| 20 | 2.65 |
| 15 | 3.53 |
| 10 | 5.29 |
| 5 | 10.6 |
| 2 | 26.5 |

CONSTANT-CURRENT DRIVER ON OR OFF CONTROL

When BLANK is low, the corresponding output is turned on if the data in the on or off control data latch are '1' and remains off if the data are '0'. When BLANK is high, all outputs are forced off. This control is shown in [Table 2](#).

Table 2. Output On or Off Control Data Truth Table

| OUTPUT ON OR OFF DATA | CONSTANT-CURRENT OUTPUT STATUS |
|-----------------------|--------------------------------|
| 0 | Off |
| 1 | On |

When the device is initially powered on, the data in the 16-bit shift register and output on or off data latch are not set to default values. Therefore, the output on or off data must be written to the data latch before turning the constant-current output on. **BLANK should be high when powered on because the constant-current may be turned on as a result of random data in the output on or off data latch.**

REGISTER CONFIGURATION

The TLC59284 has a 16-bit shift register and an output on or off data latch. Both the shift register and data latch are 16 bits long and are used to turn the constant-current outputs on and off. Figure 21 shows the shift register and data latch configuration. The data at the SIN pin are shifted into the 16-bit shift register LSB at the rising edge of the SCLK pin; SOUT data change at the SCLK rising edge.

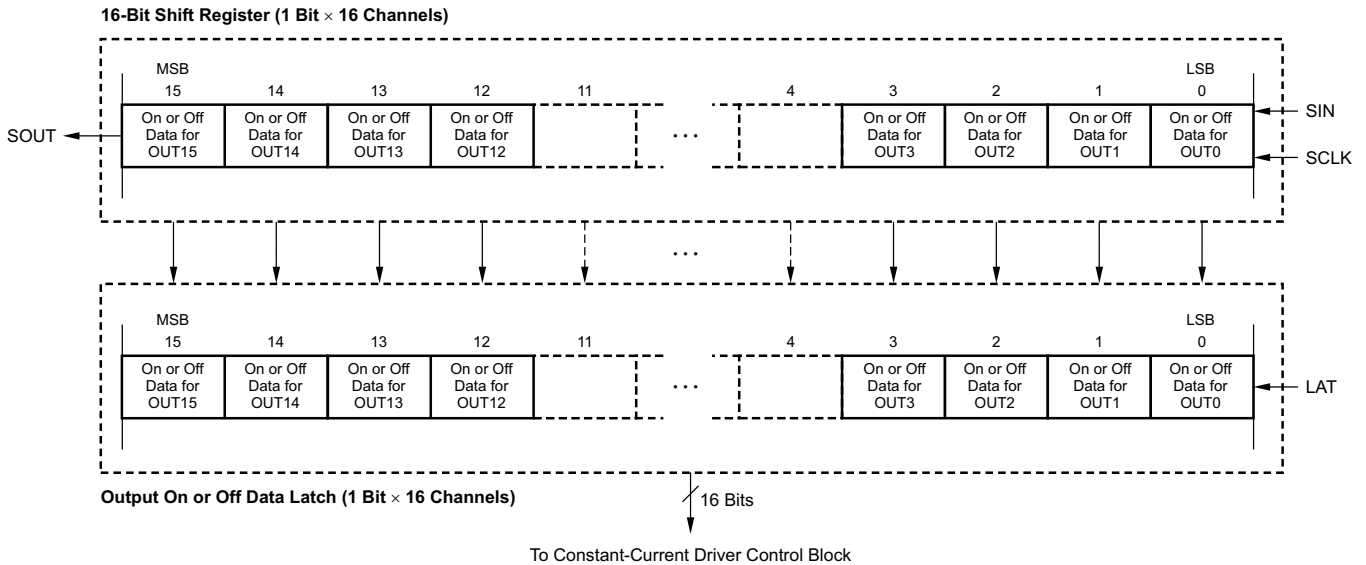


Figure 21. 16-Bit Shift Register and Output On or Off Data Latch Configuration

The output on or off data in the 16-bit shift register continue to transfer to the output on or off data latch while LAT is high. Therefore, if the data in the 16-bit shift register are changed when LAT is high, the data in the data latch are also changed. The data in the data latch are held when LAT is low. When the device initially powers on, the data in the output on or off shift register and latch are not set to default values; on or off control data must be written to the on or off control data latch before turning the constant-current output on. All constant-current outputs are forced off when BLANK is high. The OUT_n on or off outputs are controlled by the data in the output on or off data latch. The writing data truth table and timing diagram are shown in Table 3 and Figure 22, respectively.

Table 3. Truth Table in Operation

| SCLK | LAT | BLANK | SIN | OUT0...OUT7...OUT15 | SOUT |
|------|------|-------|------------------|---|-------------------|
| ↑ | High | Low | D _n | D _n ...D _{n-7} ...D _{n-15} | D _{n-15} |
| ↑ | Low | Low | D _{n+1} | No change | D _{n-14} |
| ↑ | High | Low | D _{n+2} | D _{n+2} ...D _{n-5} ...D _{n-13} | D _{n-13} |
| ↓ | — | Low | D _{n+3} | D _{n+2} ...D _{n-5} ...D _{n-13} | D _{n-13} |
| ↓ | — | High | D _{n+3} | Off | D _{n-13} |

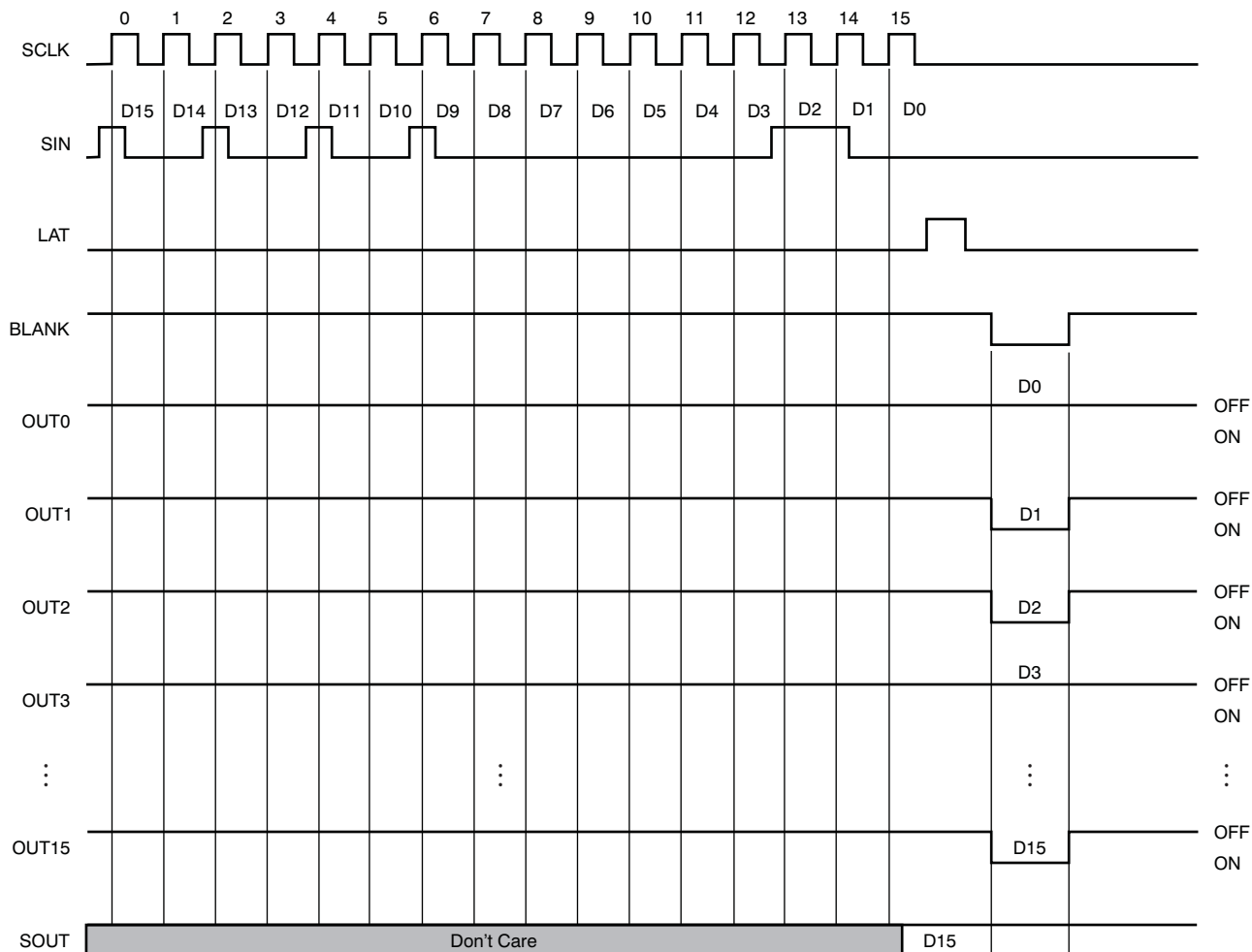


Figure 22. Operation Timing Diagram

NOISE REDUCTION

Large surge currents may flow through the device and board if all 16 outputs turn on or off simultaneously. These large current surges can induce detrimental noise and electromagnetic interference (EMI) into other circuits. The TLC59284 independently turns on or off the outputs for each group with a 1-ns (typ) delay time; see Figure 11. The 16 outputs are grouped into nine groups of either one or two outputs: group 1 (OUT0), group 2 (OUT1 and OUT15), group 3 (OUT2 and OUT14), group 4 (OUT3 and OUT13), group 5 (OUT4 and OUT12), group 6 (OUT5 and OUT11), group 7 (OUT6 and OUT10), group 8 (OUT7 and OUT9), and group 9 (OUT9). Both turn-on and turn-off times are delayed when BLANK transitions from low to high or high to low. Also when output-on and -off data are changed at the LAT rising edge while BLANK is low, both turn-on and turn-off times are delayed. However, the state of each output is controlled by the data in the output on or off data latch and the BLANK level.

REVISION HISTORY

NOTE: Page numbers for previous revisions may differ from page numbers in the current version.

| Changes from Original (October 2012) to Revision A | Page |
|--|------|
| • Changed HBM ESD rating maximum specification in Absolute Maximum Ratings table | 2 |
| • Changed I_{CC2} maximum specification in Electrical Characteristics table | 4 |

PACKAGING INFORMATION

| Orderable Device | Status (1) | Package Type | Package Drawing | Pins | Package Qty | Eco Plan (2) | Lead/Ball Finish | MSL Peak Temp (3) | Op Temp (°C) | Top-Side Markings (4) | Samples |
|------------------|---------------|--------------|-----------------|------|-------------|-------------------------|------------------|----------------------|--------------|--------------------------|-------------------------|
| TLC59284DBQ | ACTIVE | SSOP | DBQ | 24 | 50 | Green (RoHS & no Sb/Br) | CU NIPDAU | Level-2-260C-1 YEAR | -40 to 85 | TLC59284 | Samples |
| TLC59284DBQR | ACTIVE | SSOP | DBQ | 24 | 2500 | Green (RoHS & no Sb/Br) | CU NIPDAU | Level-2-260C-1 YEAR | -40 to 85 | TLC59284 | Samples |

(1) The marketing status values are defined as follows:

ACTIVE: Product device recommended for new designs.

LIFEBUY: TI has announced that the device will be discontinued, and a lifetime-buy period is in effect.

NRND: Not recommended for new designs. Device is in production to support existing customers, but TI does not recommend using this part in a new design.

PREVIEW: Device has been announced but is not in production. Samples may or may not be available.

OBSOLETE: TI has discontinued the production of the device.

(2) Eco Plan - The planned eco-friendly classification: Pb-Free (RoHS), Pb-Free (RoHS Exempt), or Green (RoHS & no Sb/Br) - please check <http://www.ti.com/productcontent> for the latest availability information and additional product content details.

TBD: The Pb-Free/Green conversion plan has not been defined.

Pb-Free (RoHS): TI's terms "Lead-Free" or "Pb-Free" mean semiconductor products that are compatible with the current RoHS requirements for all 6 substances, including the requirement that lead not exceed 0.1% by weight in homogeneous materials. Where designed to be soldered at high temperatures, TI Pb-Free products are suitable for use in specified lead-free processes.

Pb-Free (RoHS Exempt): This component has a RoHS exemption for either 1) lead-based flip-chip solder bumps used between the die and package, or 2) lead-based die adhesive used between the die and leadframe. The component is otherwise considered Pb-Free (RoHS compatible) as defined above.

Green (RoHS & no Sb/Br): TI defines "Green" to mean Pb-Free (RoHS compatible), and free of Bromine (Br) and Antimony (Sb) based flame retardants (Br or Sb do not exceed 0.1% by weight in homogeneous material)

(3) MSL, Peak Temp. -- The Moisture Sensitivity Level rating according to the JEDEC industry standard classifications, and peak solder temperature.

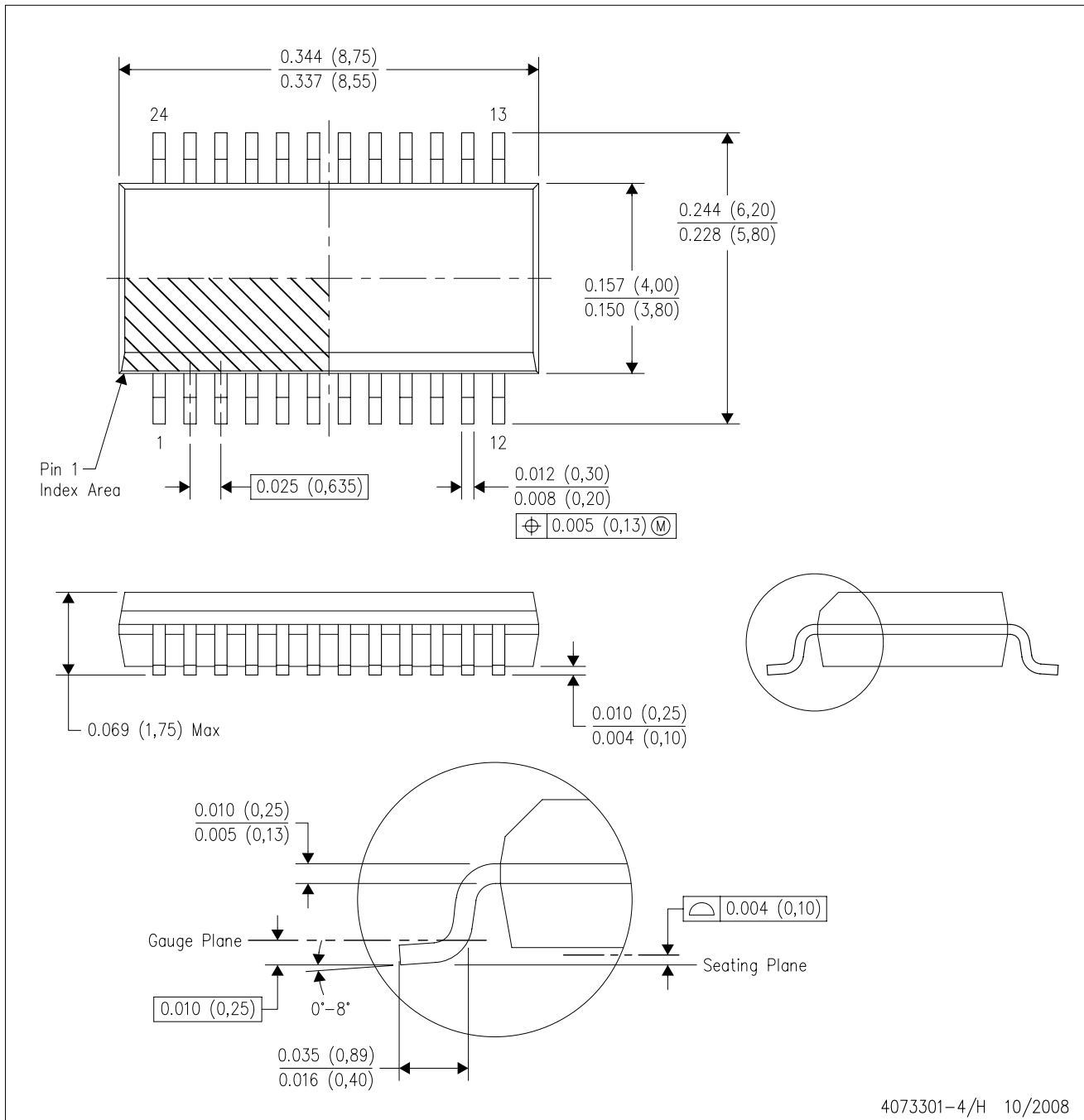
(4) Multiple Top-Side Markings will be inside parentheses. Only one Top-Side Marking contained in parentheses and separated by a "~" will appear on a device. If a line is indented then it is a continuation of the previous line and the two combined represent the entire Top-Side Marking for that device.

Important Information and Disclaimer: The information provided on this page represents TI's knowledge and belief as of the date that it is provided. TI bases its knowledge and belief on information provided by third parties, and makes no representation or warranty as to the accuracy of such information. Efforts are underway to better integrate information from third parties. TI has taken and continues to take reasonable steps to provide representative and accurate information but may not have conducted destructive testing or chemical analysis on incoming materials and chemicals. TI and TI suppliers consider certain information to be proprietary, and thus CAS numbers and other limited information may not be available for release.

In no event shall TI's liability arising out of such information exceed the total purchase price of the TI part(s) at issue in this document sold by TI to Customer on an annual basis.

DBQ (R-PDSO-G24)

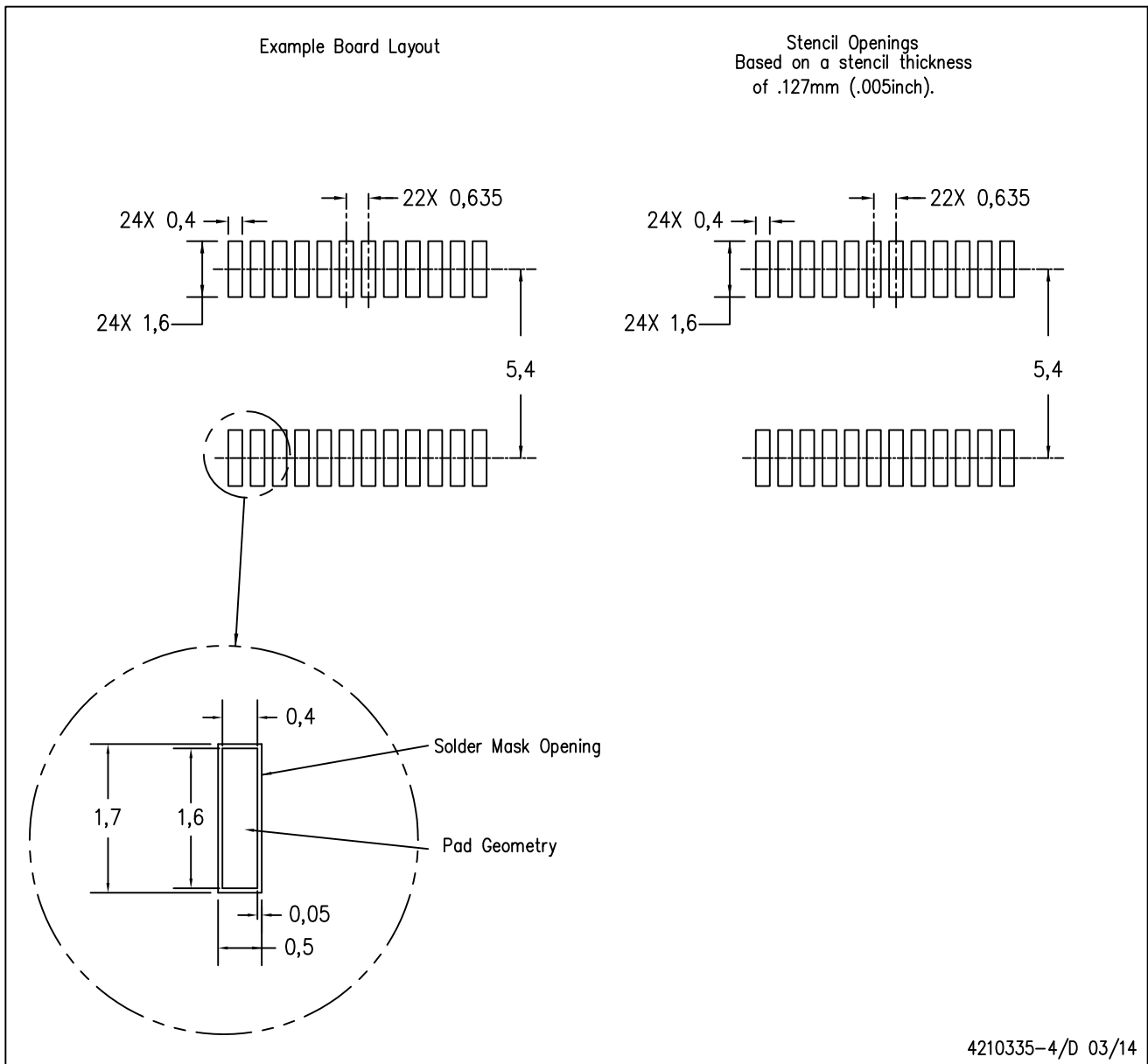
PLASTIC SMALL-OUTLINE PACKAGE



- NOTES:
- A. All linear dimensions are in inches (millimeters).
 - B. This drawing is subject to change without notice.
 - C. Body dimensions do not include mold flash or protrusion not to exceed 0.006 (0,15) per side.
 - D. Falls within JEDEC MO-137 variation AE.

DBQ (R-PDSO-G24)

PLASTIC SMALL OUTLINE PACKAGE



- NOTES:
- A. All linear dimensions are in millimeters.
 - B. This drawing is subject to change without notice.
 - C. Publication IPC-7351 is recommended for alternate designs.
 - D. Laser cutting apertures with trapezoidal walls and also rounding corners will offer better paste release. Customers should contact their board assembly site for stencil design recommendations. Example stencil design based on a 50% volumetric metal load solder paste. Refer to IPC-7525 for other stencil recommendations.

IMPORTANT NOTICE

Texas Instruments Incorporated and its subsidiaries (TI) reserve the right to make corrections, enhancements, improvements and other changes to its semiconductor products and services per JESD46, latest issue, and to discontinue any product or service per JESD48, latest issue. Buyers should obtain the latest relevant information before placing orders and should verify that such information is current and complete. All semiconductor products (also referred to herein as "components") are sold subject to TI's terms and conditions of sale supplied at the time of order acknowledgment.

TI warrants performance of its components to the specifications applicable at the time of sale, in accordance with the warranty in TI's terms and conditions of sale of semiconductor products. Testing and other quality control techniques are used to the extent TI deems necessary to support this warranty. Except where mandated by applicable law, testing of all parameters of each component is not necessarily performed.

TI assumes no liability for applications assistance or the design of Buyers' products. Buyers are responsible for their products and applications using TI components. To minimize the risks associated with Buyers' products and applications, Buyers should provide adequate design and operating safeguards.

TI does not warrant or represent that any license, either express or implied, is granted under any patent right, copyright, mask work right, or other intellectual property right relating to any combination, machine, or process in which TI components or services are used. Information published by TI regarding third-party products or services does not constitute a license to use such products or services or a warranty or endorsement thereof. Use of such information may require a license from a third party under the patents or other intellectual property of the third party, or a license from TI under the patents or other intellectual property of TI.

Reproduction of significant portions of TI information in TI data books or data sheets is permissible only if reproduction is without alteration and is accompanied by all associated warranties, conditions, limitations, and notices. TI is not responsible or liable for such altered documentation. Information of third parties may be subject to additional restrictions.

Resale of TI components or services with statements different from or beyond the parameters stated by TI for that component or service voids all express and any implied warranties for the associated TI component or service and is an unfair and deceptive business practice. TI is not responsible or liable for any such statements.

Buyer acknowledges and agrees that it is solely responsible for compliance with all legal, regulatory and safety-related requirements concerning its products, and any use of TI components in its applications, notwithstanding any applications-related information or support that may be provided by TI. Buyer represents and agrees that it has all the necessary expertise to create and implement safeguards which anticipate dangerous consequences of failures, monitor failures and their consequences, lessen the likelihood of failures that might cause harm and take appropriate remedial actions. Buyer will fully indemnify TI and its representatives against any damages arising out of the use of any TI components in safety-critical applications.

In some cases, TI components may be promoted specifically to facilitate safety-related applications. With such components, TI's goal is to help enable customers to design and create their own end-product solutions that meet applicable functional safety standards and requirements. Nonetheless, such components are subject to these terms.

No TI components are authorized for use in FDA Class III (or similar life-critical medical equipment) unless authorized officers of the parties have executed a special agreement specifically governing such use.

Only those TI components which TI has specifically designated as military grade or "enhanced plastic" are designed and intended for use in military/aerospace applications or environments. Buyer acknowledges and agrees that any military or aerospace use of TI components which have **not** been so designated is solely at the Buyer's risk, and that Buyer is solely responsible for compliance with all legal and regulatory requirements in connection with such use.

TI has specifically designated certain components as meeting ISO/TS16949 requirements, mainly for automotive use. In any case of use of non-designated products, TI will not be responsible for any failure to meet ISO/TS16949.

Products

| | |
|------------------------------|--|
| Audio | www.ti.com/audio |
| Amplifiers | amplifier.ti.com |
| Data Converters | dataconverter.ti.com |
| DLP® Products | www.dlp.com |
| DSP | dsp.ti.com |
| Clocks and Timers | www.ti.com/clocks |
| Interface | interface.ti.com |
| Logic | logic.ti.com |
| Power Mgmt | power.ti.com |
| Microcontrollers | microcontroller.ti.com |
| RFID | www.ti-rfid.com |
| OMAP Applications Processors | www.ti.com/omap |
| Wireless Connectivity | www.ti.com/wirelessconnectivity |

Applications

| | |
|-------------------------------|--|
| Automotive and Transportation | www.ti.com/automotive |
| Communications and Telecom | www.ti.com/communications |
| Computers and Peripherals | www.ti.com/computers |
| Consumer Electronics | www.ti.com/consumer-apps |
| Energy and Lighting | www.ti.com/energy |
| Industrial | www.ti.com/industrial |
| Medical | www.ti.com/medical |
| Security | www.ti.com/security |
| Space, Avionics and Defense | www.ti.com/space-avionics-defense |
| Video and Imaging | www.ti.com/video |

TI E2E Community

e2e.ti.com