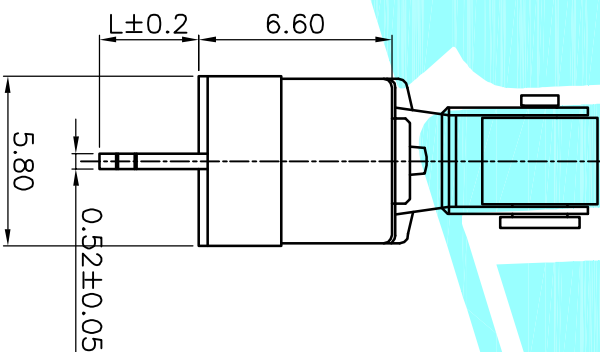
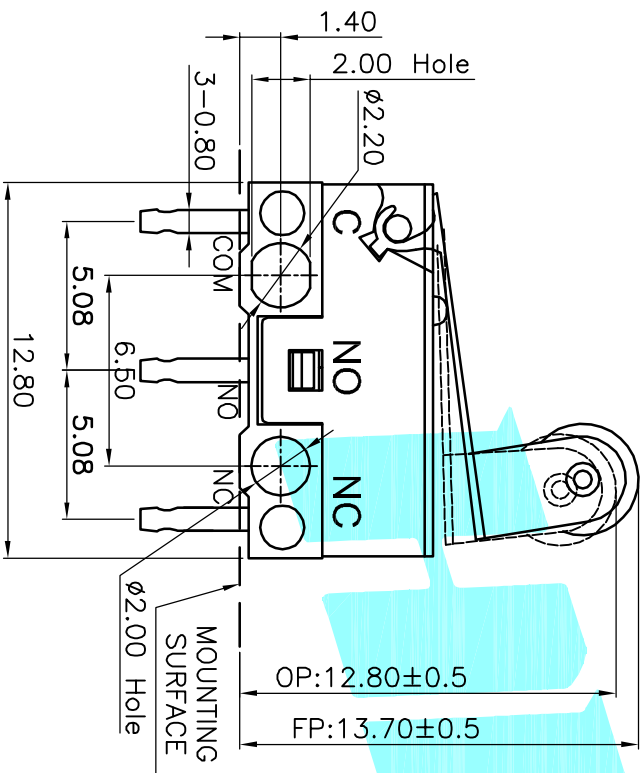


Circuit Diagram

NOTE:

1. Rating: DC30V 0.1A
2. OP: 12.8±0.50
3. Operating force: 20±10gf
4. Mechanical Life: 1,000,000



⑩	Spindle	—	1	Alloy	Plating Nickel	
⑨	Roller	—	1	POM	Black	
⑧	Shrapnel 2	—	1	Copper Alloy		
⑦	Shrapnel 1	—	1	Beryllium Copper		
⑥	Contact	—	1	Copper Alloy		
⑤	Lever	—	1	Stainless Steel		
④	Terminal	—	3	Copper Alloy	Plating silver	
③	Base	—	1	PBT	White	
②	Knob	—	1	PBT	Gray	
①	Cover	—	1	PBT	Black	
ITEM	PART NAME	TER'NO.	QTY.	MATERIAL	FINISHING	REMARK

APPROVALS	DATE	TITLE
DRAWN	2015.4.8	MICRO SWITCHS
CHECKED		
APPROVALS		

DRAWN	JIANKUN.LIU	2015.4.8	TITLE	MICRO SWITCHS
CHECKED				
APPROVALS				

APPROVALS	DATE	TITLE
DRAWN	2015.4.8	MICRO SWITCHS
CHECKED		
APPROVALS		

APPROVALS	DATE	TITLE
DRAWN	2015.4.8	MICRO SWITCHS
CHECKED		
APPROVALS		

APPROVALS	DATE	TITLE
DRAWN	2015.4.8	MICRO SWITCHS
CHECKED		
APPROVALS		

APPROVALS	DATE	TITLE
DRAWN	2015.4.8	MICRO SWITCHS
CHECKED		
APPROVALS		

ECN NO.	REV.	DATE.	DESCRIPTION.	CHANGE.	CHECK.	APPRO.
	A		NEW			

TOLERANCES ARE	30 ^{±0.15}	±0.30	ANGLE	UNT.	SCALE:	PROJ.
	10~30	±0.20		mm	1:1	1st
	5~10	±0.15	±2°			
	~5	±0.10				
DRAWING NO.		DRAWING NO.		SHEET	1 OF 1	



ELECTRONICS CO., LTD

MICRO SWITCHS

K9-1267P

PART NO.

DATE