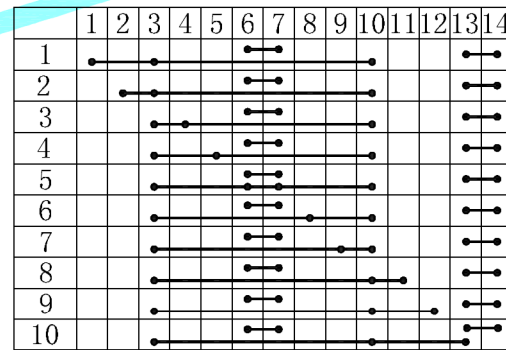
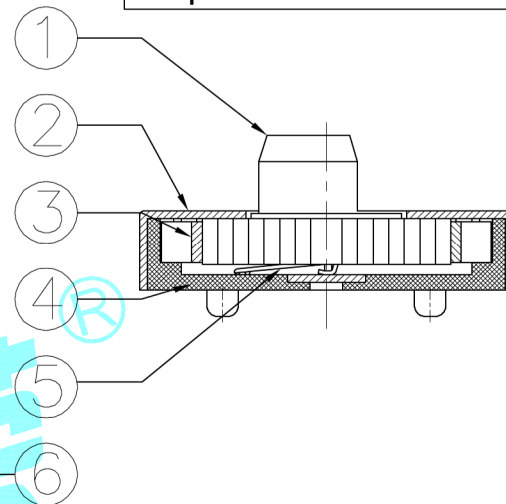
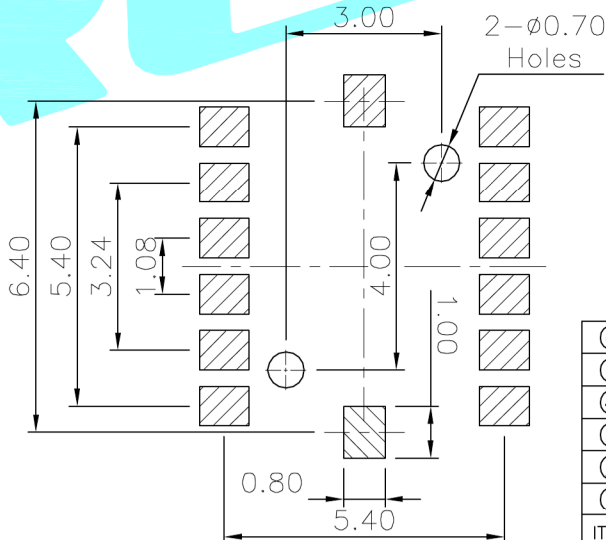
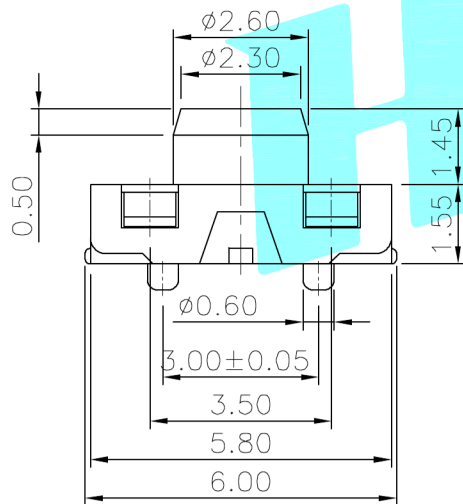
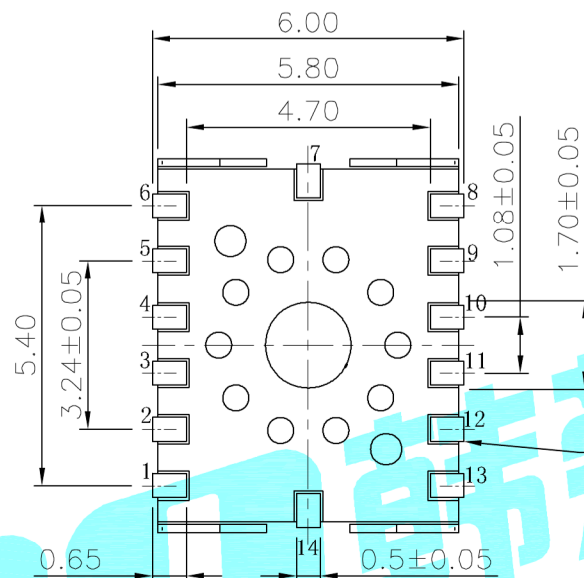
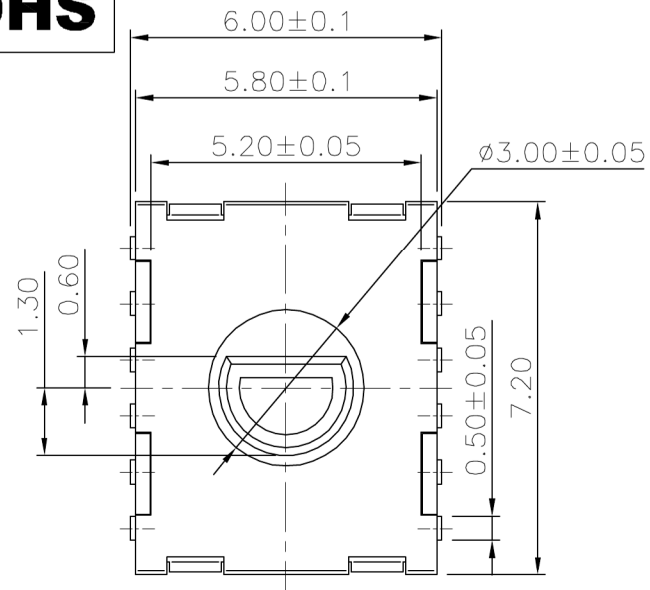


**ROHS**

<http://www.smtswitch.com>



Circuit Diagram

NOTE:  
Operating Force: 180±50 gf

P.C.B Mounting  
Pattern Dimension

⑥	Terminal	—	14	Brass(0.15t)	Plating silver	—
⑤	Contact	—	1	F.Ag/Brass	Plating silver	—
④	Base	—	1	Nylon	Black	—
③	Spring plate	—	1	SUS	Natural	—
②	Cover	—	1	SUS	Natural	—
①	Keystoke	—	1	Nylon	Black	—
ITEM	PART NAME	TER'NO.	QTY.	MATERIAL	FINISHING	REMARK

APPROVALS		DATE		 ELECTRONICS CO.,LTD					
DRAWN	J.X.Zhang	2013/8/12					TITLE:	MULTIFUNCTIONAL SWITCHS	
CHECKED				PART NO.	K1-1532SA-01				
APPROVALS				TOLERANCES ARE	30~以上 ±0.30 10~30 ±0.20 5~10 ±0.15 ~ 5 ±0.10	ANGLE ±2'	UNIT: mm	SCALE: 1:1	PROJ:
ECN NO.	REV.	DATE.	DESCRIPTION.	CHANGE.	CHECK.	APPRO.	DRAWING NO.		SHEET 1 OF 1

ECN NO.	REV.	DATE.	DESCRIPTION.	CHANGE.	CHECK.	APPRO.
	A		NEW			