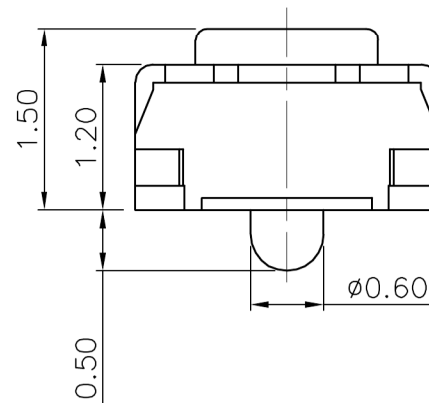
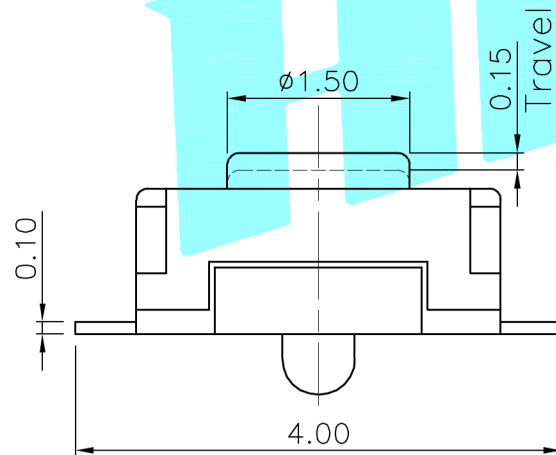


Ⓜ Circuit Diagram

PCB Layout



NO.1	
PART NO	vigor
1	90±30
2	130±30
3	180±30
4	250±30
5	350±50

PART NO.	
K2-1822SA	
K2-1822SN	

NO.2-NO.3	
PART NO	NOTE
01~99	SERIAL NUMBER

⑥	Dust cover	—	1	KAPTON FILM	—	—
⑤	Terminal	—	2	Phosphor Bronze	Plating silver	—
④	Contact	—	1	F.Ag/SUS	—	—
③	Base	—	1	LCP	White	—
②	Cover	—	1	SUS	—	—
①	Keystoke	—	1	LCP	Black	—
ITEM	PART NAME	TER'NO.	QTY.	MATERIAL	FINISHING	REMARK

APPROVALS			DATE	 ELECTRONICS CO.,LTD		
DRAWN	J.X.Zhang	2013/7/17		TITLE:	TACT SWITCHS	
CHECKED				PART NO.	K2-1822S□-A□DW-□□	
APPROVALS				TOLERANCES ARE	30~以下: ±0.30 10~30: ±0.20 5~10: ±0.15 ~ 5: ±0.10	ANGLE ±2'
ECN NO.	REV.	DATE.	DESCRIPTION.	CHANGE.	CHECK.	APPRO.

—	A	—	NEW	—	—	—
ECN NO.	REV.	DATE.	DESCRIPTION.	CHANGE.	CHECK.	APPRO.