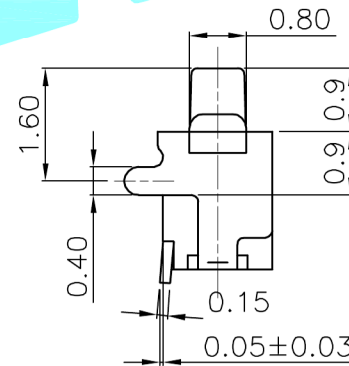
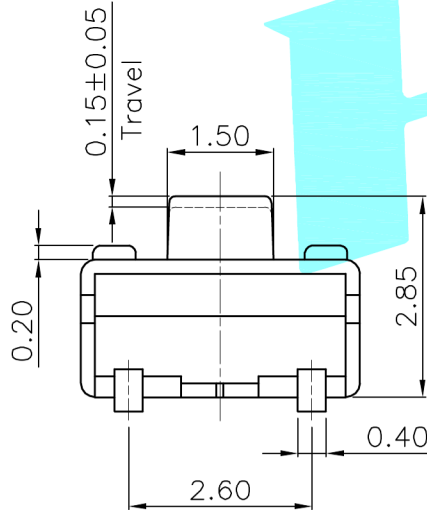


Circuit Diagram

PCB Layout(Pattern side)



NO.1	
PART NO	vigor
1	90±30
2	130±30
3	180±30
4	250±30
5	350±50

NO.2	
PART NO	MATERIAL/QTY
S	SUS/1PC
D	SUS/2PCS

NO.3-NO.4	
PART NO	NOTE
01~99	SERIAL NUMBER

⑥	Cover 2	—	1	LCP	White	—
⑤	Terminal	—	2	Phosphor Bronze	Plating silver	—
④	Contact	—	2	SUS	Plating silver	—
③	Base	—	1	LCP	White	—
②	Cover 1	—	1	Brass	Plating silver	—
①	Knob	—	1	LCP	Black	—
ITEM	PART NAME	TER'NO.	QTY.	MATERIAL	FINISHING	REMARK

APPROVALS			DATE	HRO 韓榮 ELECTRONICS CO.,LTD			
DRAWN	J.X.Zhang	2014/3/20	TITLE: TACT SWITCHS				
CHECKED			PART NO. K2-1806SQ-A□□W-□□				
APPROVALS			UNIT: mm SCALE: 1:1 PROJ:				
TOLERANCES ARE		30~以下 ±0.30	ANGLE	UNIT: mm		DRAWING NO.	
		10~30 ±0.20		SCALE: 1:1			
		5~10 ±0.15		SCALE: 1:1			
		~ 5 ±0.10		SCALE: 1:1			
ECN NO.	REV.	DATE.	DESCRIPTION.	CHANGE.	CHECK.	APPRO.	SHEET 1 OF 1

ECN NO.	REV.	DATE.	DESCRIPTION.	CHANGE.	CHECK.	APPRO.
	A		NEW			