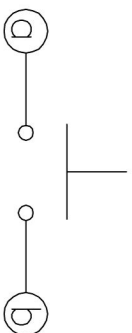
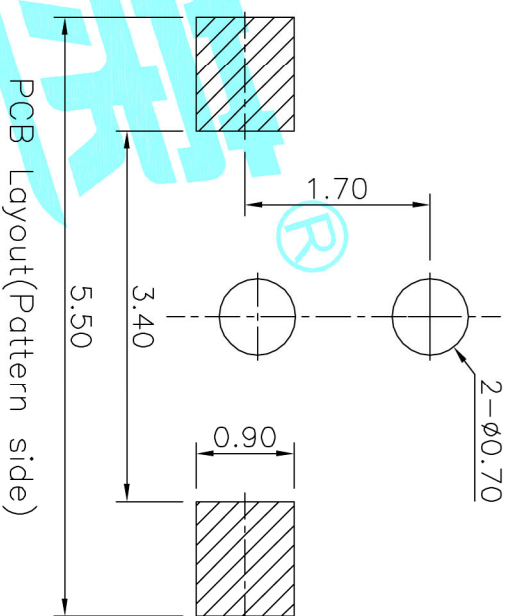
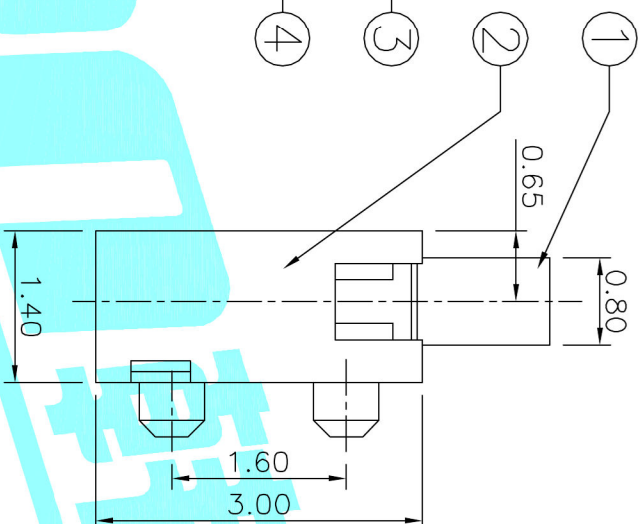
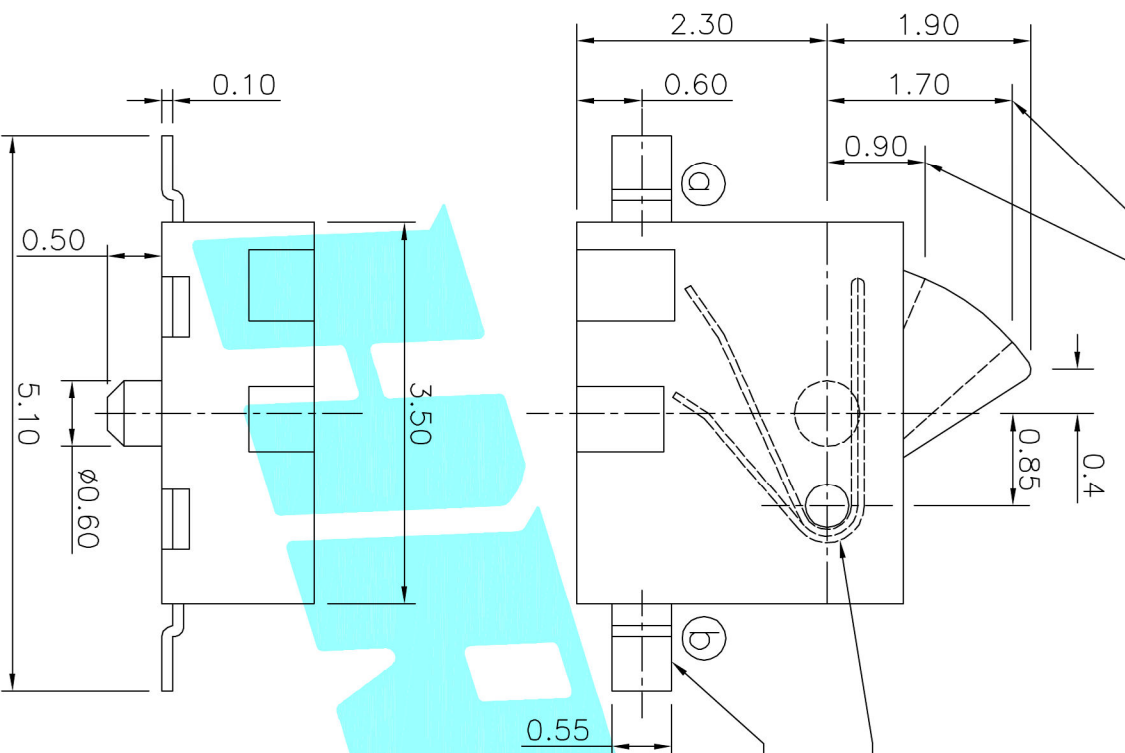


ON Starting Position
Total Travel Position



Circuit Diagram

NOTE:
Rating: DC 30V 0.1A
Operating Force: 20±10gf
Lifetime: 100,000 Cycles

ITEM	PART NAME	TER'NO.	QTY.	MATERIAL	FINISHING	REMARK
④	Terminal	—	2	Phosphor Bronze	Ag Plated	
③	Contact Spring	—	1	Be Alloy	Ag Plated	
②	Housing	—	1	LCP	Black	
①	Slider	—	1	PA46	Black	

APPROVALS		DATE	TITLE:
DRAWN	J.X.Zhang	2013/8/23	DETECTOR SWITCHS
CHECKED			
APPROVALS			

TOLERANCES ARE		ANGLE	PART NO.	SCALE:	PROJ.
30~90 L	±0.20	±2°	K5-1634SA-02	1:1	①
10~30	±0.20				
5~10	±0.15				
~5	±0.10				
CHANGE.	CHECK.	APPRO.	DRAWING NO.		SHEET 1 OF 1

ECN NO.	REV.	DATE.	DESCRIPTION.
	A		NEW

APPROVALS		DATE	TITLE:
DRAWN	J.X.Zhang	2013/8/23	DETECTOR SWITCHS
CHECKED			
APPROVALS			

ECN NO.	REV.	DATE.	DESCRIPTION.
	A		NEW