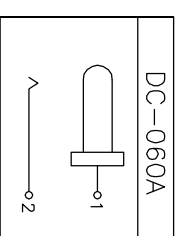


Rating: 0.5A 30V DC  
 Contact Resistance: 100 mΩ Max.  
 Operating temperature: -20°C ~ 70°C  
 Operating force: 3-20N  
 Operating Life: 5,000 cycles



P.C.B. LAYOUT (front view)

ITEM	PART NAME	TERN.O.	QTY.	MATERIAL	FINISHING	REMARK
③	Spring	—	1	SUS	Si Plating	
②	Terminal	—	2	Phosphor bronze	Au Plating	
①	Housing	—	1	Nylon	Black	

APPROVALS		DATE
DRAWN	JKUN.LU	2013/11/11

CHECKED		TITLE:
APPROVALS		PHONE JACKES

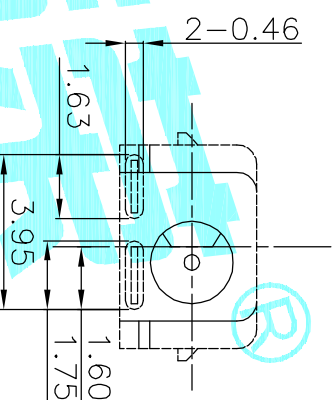
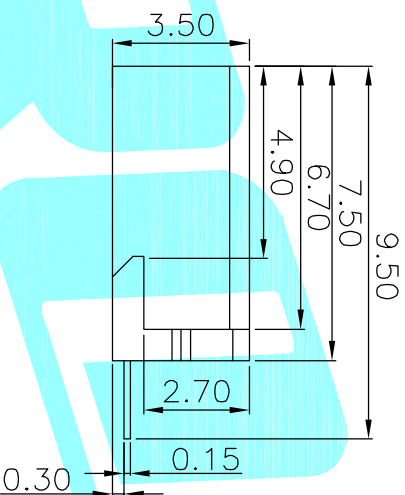
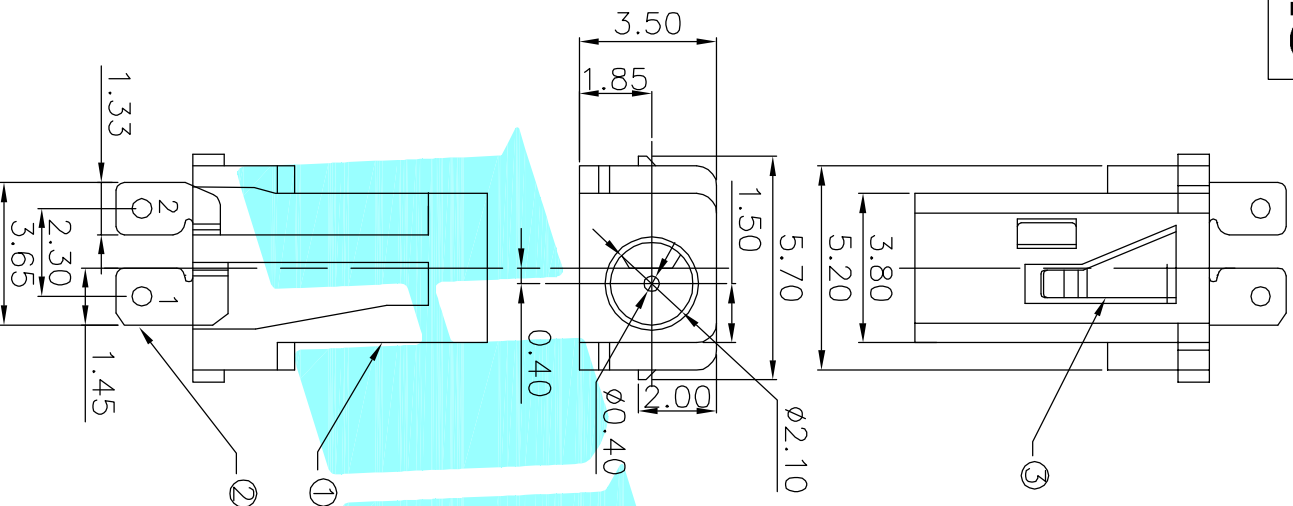
  

TOLERANCES ARE		PART NO.	SCALE:	PROJ:
30~12.5	±0.30	DC-060A	1:1	④
10~30	±0.20			
5~10	±0.15			
~5	±0.10			

ELECTRONICS CO.,LTD

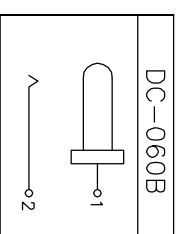


ECN NO.	REV.	DATE.	DESCRIPTION.	CHANGE.	CHECK.	APPRO.
	A		NEW			



P.C.B LAYOUT (front view)

Rating: 0.5A 30V DC  
 Contact Resistance: 100 mΩ Max.  
 Operating temperature: -20°C ~ 70°C  
 Operating force: 3-20N  
 Operating Life: 5,000 cycles



ITEM	PART NAME	TERN.O.	QTY.	MATERIAL	FINISHING	REMARK
③	Spring	—	1	SUS	SI Plating	
②	Terminal	—	2	Phosphor bronze	Au Plating	
①	Housing	—	1	Nylon	Black	

APPROVALS		DATE	TITLE: PHONE JACKES		
DRAWN	JKUN.LU	2013/11/11	ELECTRONICS CO.,LTD		

CHECKED		TITLE:	PART NO.	SCALE:	PROJ:
APPROVALS			DC-060B	1:1	①

ECN NO.	REV.	DATE.	DESCRIPTION.	CHANGE.	CHECK.	APPRO.	TOLERANCES ARE	ANGLE	UNIT:	SCALE:	SHEET
	A		NEW				30~0.125 10~0.30 5~10 ~5	±0.30 ±0.20 ±0.15 ±0.10	mm	1:1	1 OF 1