

THIS DRAWING IS UNPUBLISHED.

RELEASED FOR PUBLICATION JULY, 2006.

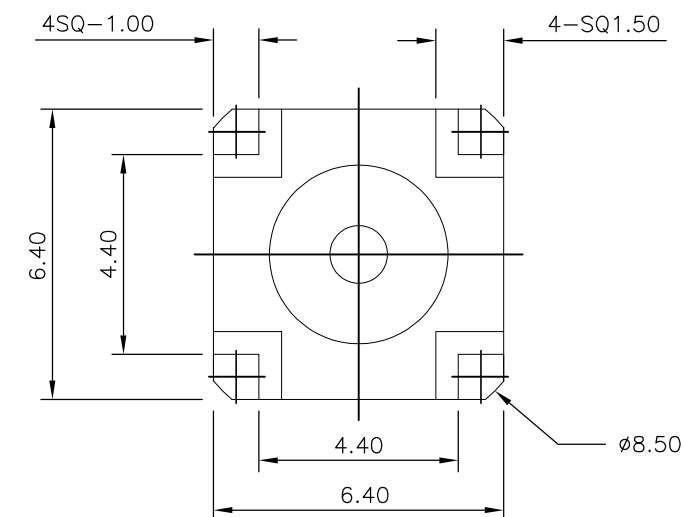
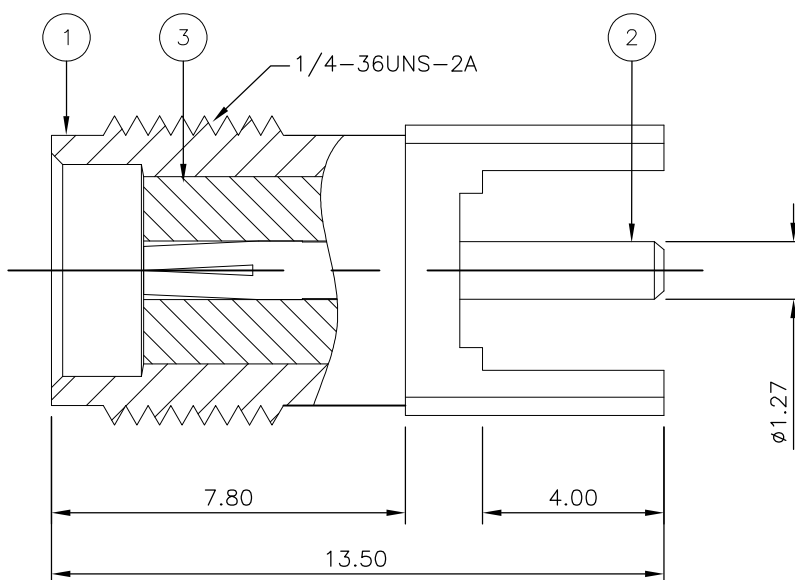
© COPYRIGHT 2006 By -

ALL RIGHTS RESERVED.

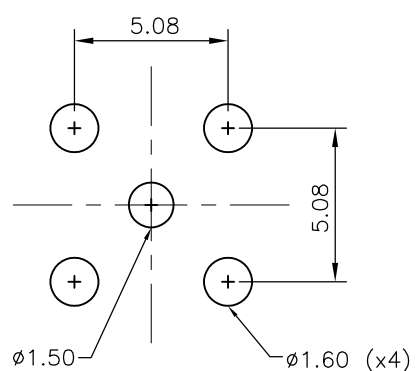
LOC	DIST	REVISIONS					
E	B	P	LTR	DESCRIPTION	DATE	DWN	APVD
			B1	REVISED PER ECO-11-005033	31MAR11	RK	HMR

NOTES

- 1 SINGLE PACK IN ACCORDANCE WITH AMP SPEC 107-3275
- 2 100 TRAY PACK IN ACCORDANCE WITH AMP SPEC 107-3275
- 3 Au PLATING



RECOMMENDED PCB LAYOUT WITH MOUNTING POSTS



						1	1	PTFE	INSULATOR	3
						1	1	PHOSPHER BRONZE	SOCKET	2
						1	1	ZINC ALLOY	BODY	1
						5	15		MATERIAL	DESCRIPTION
										ITEM

THIS DRAWING IS A CONTROLLED DOCUMENT.		DWN	ANSON MA	19FEB09	STE TE Connectivity	
		CHK	RITA ZUO	19FEB09		
		APVD	BOB ZHAO	19FEB09	NAME	
		PRODUCT SPEC			SMA STRAIGHT PCB SOCKET DIE CAST	
		APPLICATION SPEC			-	
		108-112000			-	
		SIZE	CAGE CODE	DRAWING NO	RESTRICTED TO	
				A300779	-	
		CUSTOMER DRAWING			SCALE	NTS
		SEE TABLE			SHEET	1 OF 1
		FINISH			REV	B1

Mouser Electronics

Authorized Distributor

Click to View Pricing, Inventory, Delivery & Lifecycle Information:

[TE Connectivity:](#)

[5-1814832-1](#)