

AOD609

Complementary Enhancement Mode Field Effect Transistor

General Description

The AOD609 uses advanced trench technology MOSFETs to provide excellent $R_{DS(ON)}$ and low gate charge. The complementary MOSFETs may be used in H-bridge, Inverters and other applications.

- RoHS Compliant
- Halogen Free*

Features

n-channel

V_{DS} (V) = 40V, I_D = 12A ($V_{GS}=10V$)

$R_{DS(ON)} < 30m\Omega$ ($V_{GS}=10V$)

$R_{DS(ON)} < 40m\Omega$ ($V_{GS}=4.5V$)

p-channel

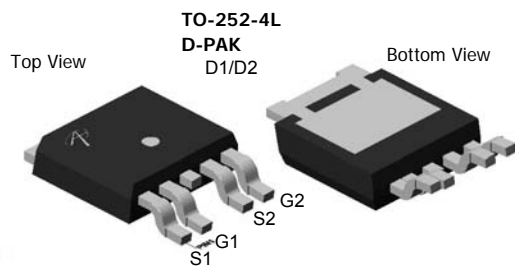
V_{DS} (V) = -40V, I_D = -12A ($V_{GS}=-10V$)

$R_{DS(ON)} < 45m\Omega$ ($V_{GS}=-10V$)

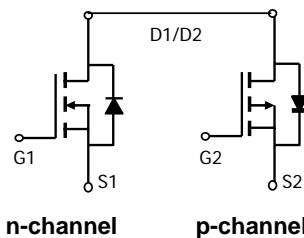
$R_{DS(ON)} < 66m\Omega$ ($V_{GS}=-4.5V$)

100% UIS Tested!

100% Rg Tested!



Top View
Drain Connected to
Tab



Absolute Maximum Ratings $T_A=25^\circ\text{C}$ unless otherwise noted

Parameter	Symbol	Max n-channel	Max p-channel	Units
Drain-Source Voltage	V_{DS}	40	-40	V
Gate-Source Voltage	V_{GS}	± 20	± 20	V
Continuous Drain Current ^{B,H}	$T_C=25^\circ\text{C}$ $T_C=100^\circ\text{C}$	I_D	12	-12
			12	-12
Pulsed Drain Current ^B	I_{DM}	30	-30	A
Avalanche Current ^C	I_{AR}	14	-20	
Repetitive avalanche energy $L=0.1\text{mH}^C$	E_{AR}	9.8	20	mJ
Power Dissipation	$T_C=25^\circ\text{C}$ $T_C=100^\circ\text{C}$	P_D	27	30
			14	15
Power Dissipation	$T_A=25^\circ\text{C}$ $T_A=70^\circ\text{C}$	P_{DSM}	2	2
			1.3	1.3
Junction and Storage Temperature Range	T_J, T_{STG}	-55 to 175	-55 to 175	$^\circ\text{C}$

Thermal Characteristics: n-channel and p-channel

Parameter	Symbol	Device	Typ	Max	Units
Maximum Junction-to-Ambient ^{A,D}	$R_{\theta JA}$	n-ch	17.4	25	$^\circ\text{C/W}$
$t \leq 10\text{s}$					
Maximum Junction-to-Ambient ^{A,D}	$R_{\theta JA}$	n-ch	50	60	$^\circ\text{C/W}$
Steady-State					
Maximum Junction-to-Lead ^C	$R_{\theta JC}$	n-ch	4	5.5	$^\circ\text{C/W}$
Maximum Junction-to-Ambient ^{A,D}	$R_{\theta JA}$	p-ch	16.7	25	$^\circ\text{C/W}$
$t \leq 10\text{s}$					
Maximum Junction-to-Ambient ^{A,D}	$R_{\theta JA}$	p-ch	50	60	$^\circ\text{C/W}$
Steady-State					
Maximum Junction-to-Lead ^C	$R_{\theta JC}$	p-ch	3.5	5	$^\circ\text{C/W}$

N Channel Electrical Characteristics (T_J=25°C unless otherwise noted)

Symbol	Parameter	Conditions	Min	Typ	Max	Units
STATIC PARAMETERS						
BV _{DSS}	Drain-Source Breakdown Voltage	I _D =250μA, V _{GS} =0V	40			V
I _{DSS}	Zero Gate Voltage Drain Current	V _{DS} =40V, V _{GS} =0V T _J =55°C			1 5	μA
I _{GSS}	Gate-Body leakage current	V _{DS} =0V, V _{GS} = ±20V			±100	nA
V _{GS(th)}	Gate Threshold Voltage	V _{DS} =V _{GS} I _D =250μA	1.7	2.5	3	V
I _{D(ON)}	On state drain current	V _{GS} =10V, V _{DS} =5V	30			A
R _{DS(ON)}	Static Drain-Source On-Resistance	V _{GS} =10V, I _D =12A T _J =125°C		24 37	30 46	mΩ
		V _{GS} =4.5V, I _D =8A		31	40	
g _{FS}	Forward Transconductance	V _{DS} =5V, I _D =12A		25		S
V _{SD}	Diode Forward Voltage	I _S =1A, V _{GS} =0V		0.76	1	V
I _S	Maximum Body-Diode Continuous Current				2	A
DYNAMIC PARAMETERS						
C _{iss}	Input Capacitance	V _{GS} =0V, V _{DS} =20V, f=1MHz		516	650	pF
C _{oss}	Output Capacitance			82		pF
C _{rss}	Reverse Transfer Capacitance			43		pF
R _g	Gate resistance	V _{GS} =0V, V _{DS} =0V, f=1MHz		4.6	6.9	Ω
SWITCHING PARAMETERS						
Q _g (10V)	Total Gate Charge	V _{GS} =10V, V _{DS} =20V, I _D =12A		8.3	10.8	nC
Q _{gs}	Gate Source Charge			2.3		nC
Q _{gd}	Gate Drain Charge			1.6		nC
t _{D(on)}	Turn-On DelayTime	V _{GS} =10V, V _{DS} =20V, R _L =1.4Ω, R _{GEN} =3Ω		6.4		ns
t _r	Turn-On Rise Time			3.6		ns
t _{D(off)}	Turn-Off DelayTime			16.2		ns
t _f	Turn-Off Fall Time			6.6		ns
t _{rr}	Body Diode Reverse Recovery Time	I _F =12A, di/dt=100A/μs		18	24	ns
Q _{rr}	Body Diode Reverse Recovery Charge	I _F =12A, di/dt=100A/μs		10		nC

A: The value of R_{θJA} is measured with the device in a still air environment with T_A=25°C. The power dissipation P_{DSM} and current rating I_{DSM} are based on T_{J(MAX)}=150°C, using the steady state junction-to-ambient thermal resistance.

B: The power dissipation P_D is based on T_{J(MAX)}=175°C, using junction-to-case thermal resistance, and is more useful in setting the upper dissipation limit for cases where additional heatsinking is used.

C: Repetitive rating, pulse width limited by junction temperature T_{J(MAX)}=175°C.

D: The R_{θJA} is the sum of the thermal impedance from junction to case R_{θJC} and case to ambient.

E: The static characteristics in Figures 1 to 6 are obtained using <300μs pulses, duty cycle 0.5% max.

F: These curves are based on the junction-to-case thermal impedance which is measured with the device mounted to a large heatsink, assuming a maximum junction temperature of T_{J(MAX)}=175°C. The SOA curve provides a single pulse rating.

G: These tests are performed with the device mounted on 1 in² FR-4 board with 2oz. Copper, in a still air environment with T_A=25°C.

H: The maximum current rating is limited by bond-wires.

*This device is guaranteed green after data code 8X11 (Sep 2008).

Rev4: Aug 2009

THIS PRODUCT HAS BEEN DESIGNED AND QUALIFIED FOR THE CONSUMER MARKET. APPLICATIONS OR USES AS CRITICAL COMPONENTS IN LIFE SUPPORT DEVICES OR SYSTEMS ARE NOT AUTHORIZED. AOS DOES NOT ASSUME ANY LIABILITY ARISING OUT OF SUCH APPLICATIONS OR USES OF ITS PRODUCTS. AOS RESERVES THE RIGHT TO IMPROVE PRODUCT DESIGN, FUNCTIONS AND RELIABILITY WITHOUT NOTICE.

TYPICAL ELECTRICAL AND THERMAL CHARACTERISTICS: N-CHANNEL

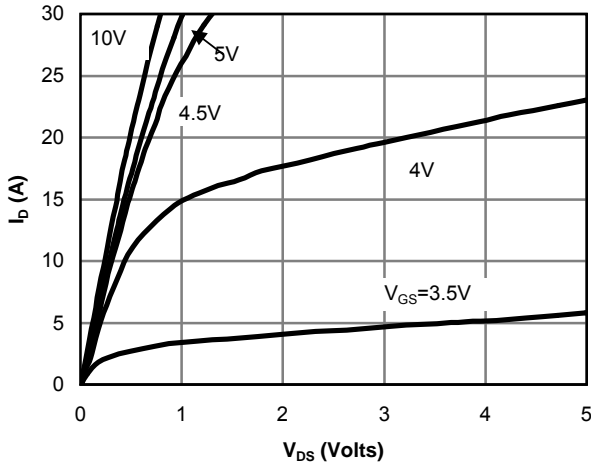


Fig 1: On-Region Characteristics

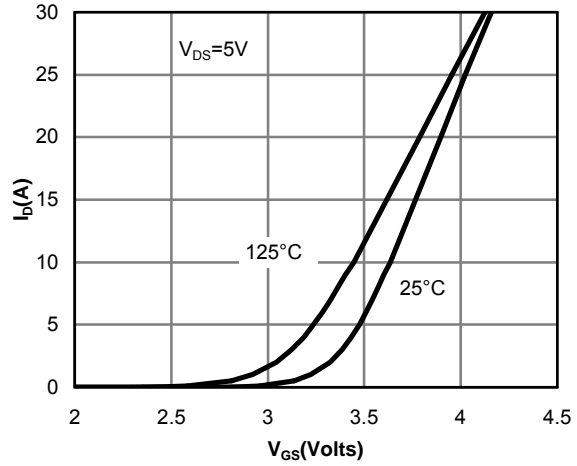


Figure 2: Transfer Characteristics

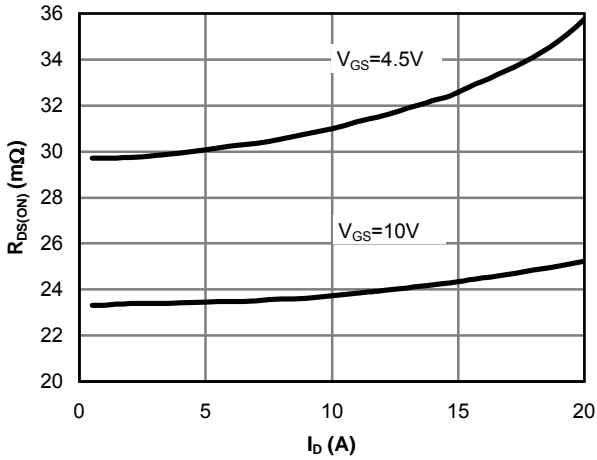


Figure 3: On-Resistance vs. Drain Current and Gate Voltage

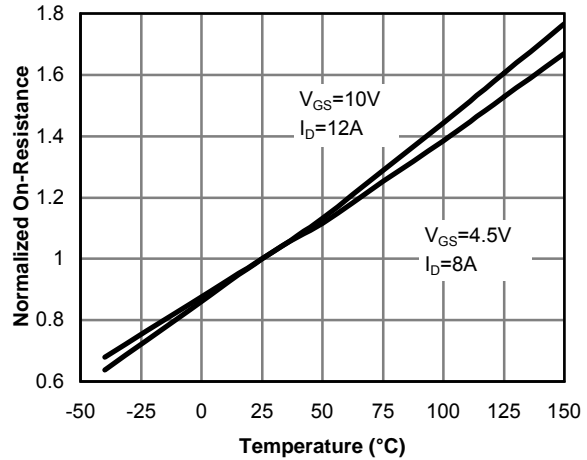


Figure 4: On-Resistance vs. Junction Temperature

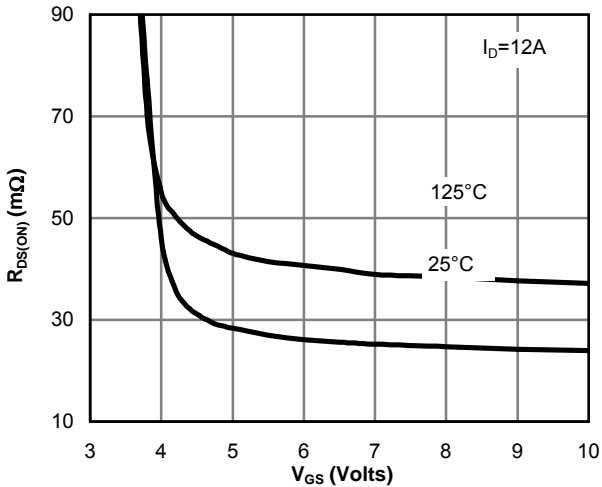


Figure 5: On-Resistance vs. Gate-Source Voltage

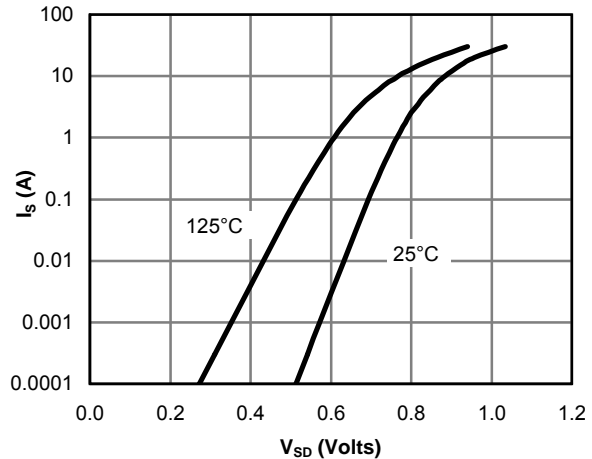


Figure 6: Body-Diode Characteristics

TYPICAL ELECTRICAL AND THERMAL CHARACTERISTICS: N-CHANNEL

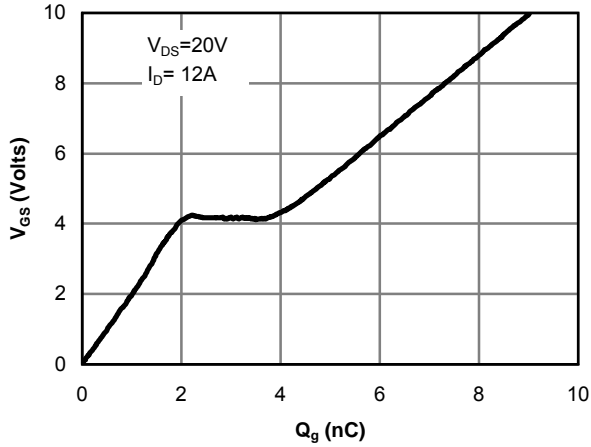


Figure 7: Gate-Charge Characteristics

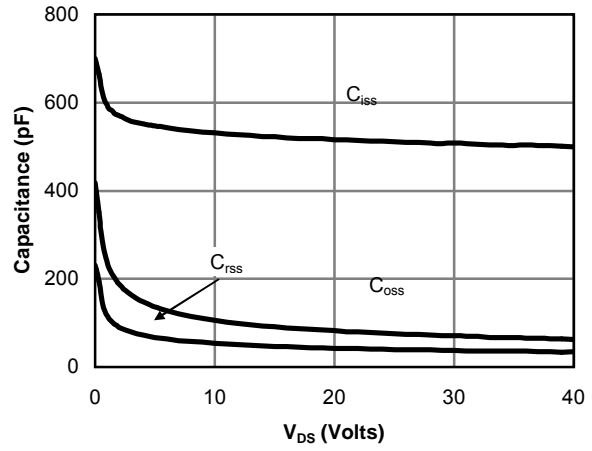


Figure 8: Capacitance Characteristics

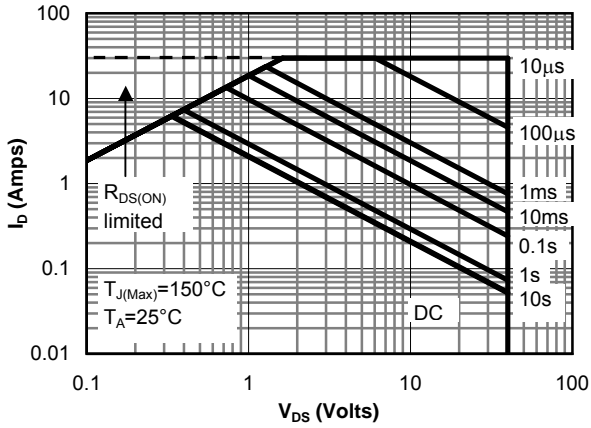


Figure 9: Maximum Forward Biased Safe Operating Area (Note E)

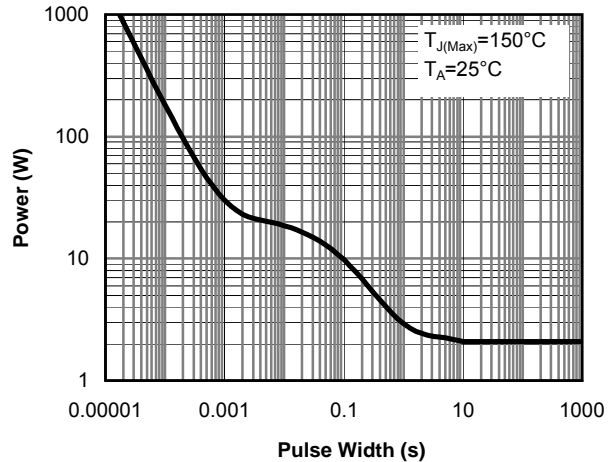


Figure 10: Single Pulse Power Rating Junction-to-Ambient (Note E)

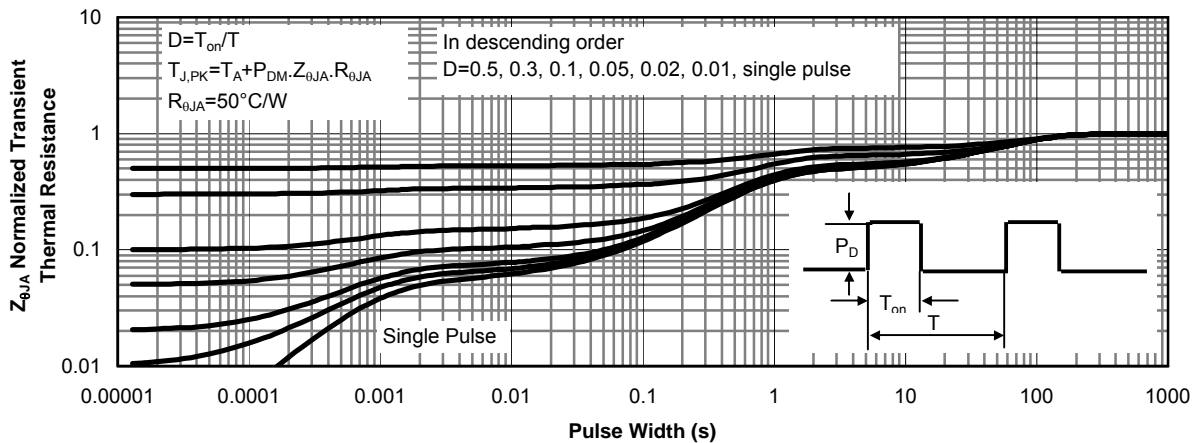
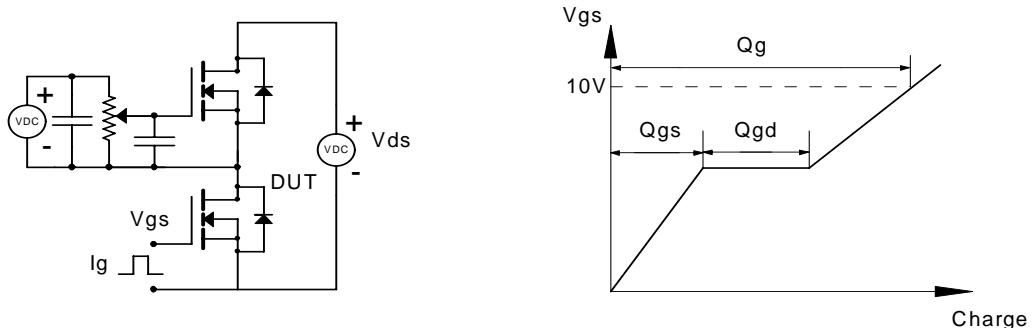
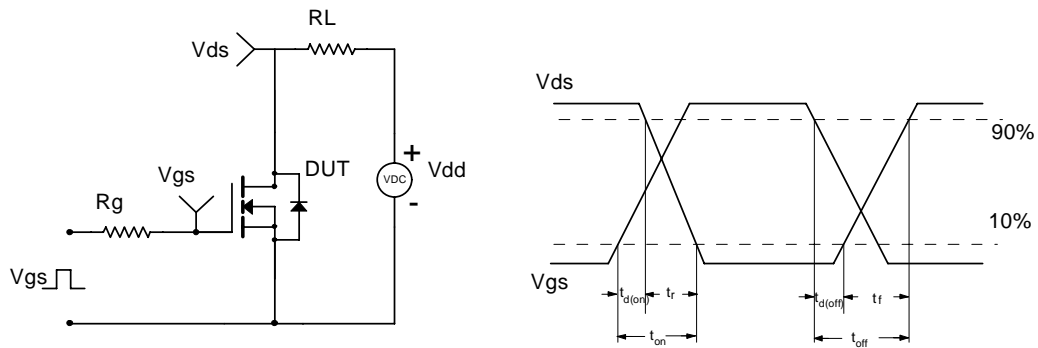


Figure 11: Normalized Maximum Transient Thermal Impedance

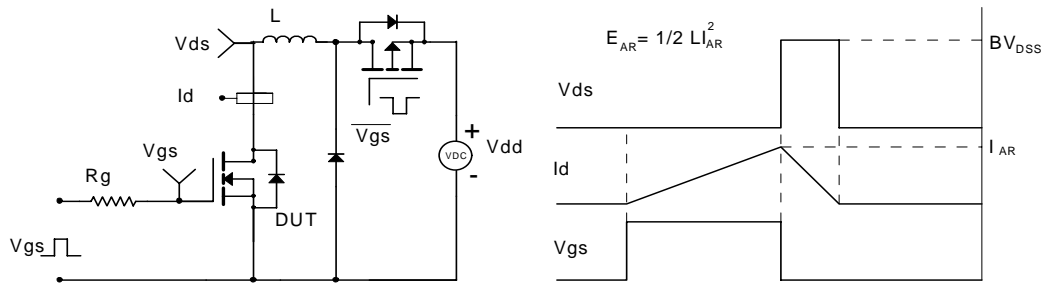
Gate Charge Test Circuit & Waveform



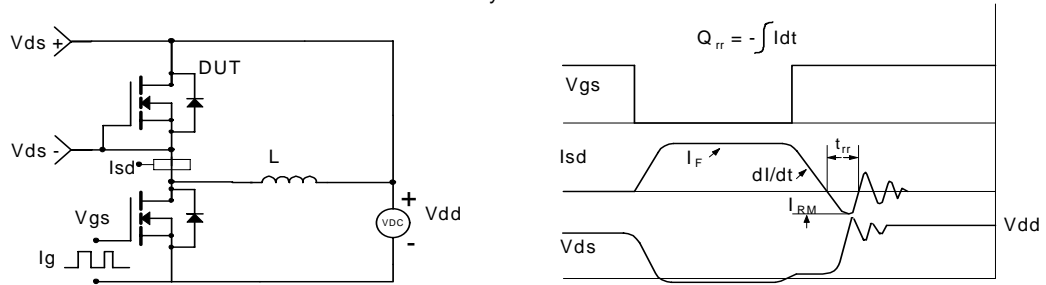
Resistive Switching Test Circuit & Waveforms



Unclamped Inductive Switching (UIS) Test Circuit & Waveforms



Diode Recovery Test Circuit & Waveforms



P-Channel Electrical Characteristics (T_J=25°C unless otherwise noted)

Symbol	Parameter	Conditions	Min	Typ	Max	Units
STATIC PARAMETERS						
BV _{DSS}	Drain-Source Breakdown Voltage	I _D = -250μA, V _{GS} =0V	-40			V
I _{DSS}	Zero Gate Voltage Drain Current	V _{DS} = -40V, V _{GS} =0V T _J =55°C			-1 -5	μA
I _{GSS}	Gate-Body leakage current	V _{DS} =0V, V _{GS} = ±20V			±100	nA
V _{GS(th)}	Gate Threshold Voltage	V _{DS} =V _{GS} I _D = -250μA	-1.7	-2	-3	V
I _{D(ON)}	On state drain current	V _{GS} = -10V, V _{DS} = -5V	-30			A
R _{DS(ON)}	Static Drain-Source On-Resistance	V _{GS} = -10V, I _D = -12A T _J =125°C		36 52	45 65	mΩ
		V _{GS} = -4.5V, I _D = -8A		51	66	
g _{FS}	Forward Transconductance	V _{DS} = -5V, I _D = -12A		22		S
V _{SD}	Diode Forward Voltage	I _S = -1A, V _{GS} =0V		-0.76	-1	V
I _S	Maximum Body-Diode Continuous Current				-2	A
DYNAMIC PARAMETERS						
C _{iss}	Input Capacitance			900	1125	pF
C _{oss}	Output Capacitance	V _{GS} =0V, V _{DS} = -20V, f=1MHz		97		pF
C _{rss}	Reverse Transfer Capacitance			68		pF
R _g	Gate resistance	V _{GS} =0V, V _{DS} =0V, f=1MHz		14		Ω
SWITCHING PARAMETERS						
Q _g (-10V)	Total Gate Charge			16.2	21	nC
Q _g (-4.5V)	Total Gate Charge	V _{GS} = -10V, V _{DS} = -20V, I _D = -12A		7.2	9.4	nC
Q _{gs}	Gate Source Charge			3.8		nC
Q _{gd}	Gate Drain Charge			3.5		nC
t _{D(on)}	Turn-On Delay Time			6.2		ns
t _r	Turn-On Rise Time	V _{GS} = -10V, V _{DS} = -20V, R _L =1.4Ω, R _{GEN} =3Ω		8.4		ns
t _{D(off)}	Turn-Off Delay Time			44.8		ns
t _f	Turn-Off Fall Time			41.2		ns
t _{rr}	Body Diode Reverse Recovery Time	I _F = -12A, dI/dt=100A/μs		21	27	ns
Q _{rr}	Body Diode Reverse Recovery Charge	I _F = -12A, dI/dt=100A/μs		14		nC

A: The value of R_{θJA} is measured with the device in a still air environment with T_A=25°C. The power dissipation P_{DSM} and current rating I_{DSM} are based on T_{J(MAX)}=150°C, using t ≤ 10s junction-to-ambient thermal resistance.

B. The power dissipation P_D is based on T_{J(MAX)}=175°C, using junction-to-case thermal resistance, and is more useful in setting the upper dissipation limit for cases where additional heatsinking is used.

C: Repetitive rating, pulse width limited by junction temperature T_{J(MAX)}=175°C.

D. The R_{θJA} is the sum of the thermal impedance from junction to case R_{θJC} and case to ambient.

E. The static characteristics in Figures 1 to 6 are obtained using <300μs pulses, duty cycle 0.5% max.

F. These curves are based on the junction-to-case thermal impedance which is measured with the device mounted to a large heatsink, assuming a maximum junction temperature of T_{J(MAX)}=175°C. The SOA curve provides a single pulse rating.

G. These tests are performed with the device mounted on 1 in² FR-4 board with 2oz. Copper, in a still air environment with T_A=25°C.

H. The maximum current rating is limited by bond-wires.

*This device is guaranteed green after data code 8X11 (Sep 9th 2008).

Rev4: Aug 2009

THIS PRODUCT HAS BEEN DESIGNED AND QUALIFIED FOR THE CONSUMER MARKET. APPLICATIONS OR USES AS CRITICAL COMPONENTS IN LIFE SUPPORT DEVICES OR SYSTEMS ARE NOT AUTHORIZED. AOS DOES NOT ASSUME ANY LIABILITY ARISING OUT OF SUCH APPLICATIONS OR USES OF ITS PRODUCTS. AOS RESERVES THE RIGHT TO IMPROVE PRODUCT DESIGN, FUNCTIONS AND RELIABILITY WITHOUT NOTICE.

TYPICAL ELECTRICAL AND THERMAL CHARACTERISTICS: P-CHANNEL

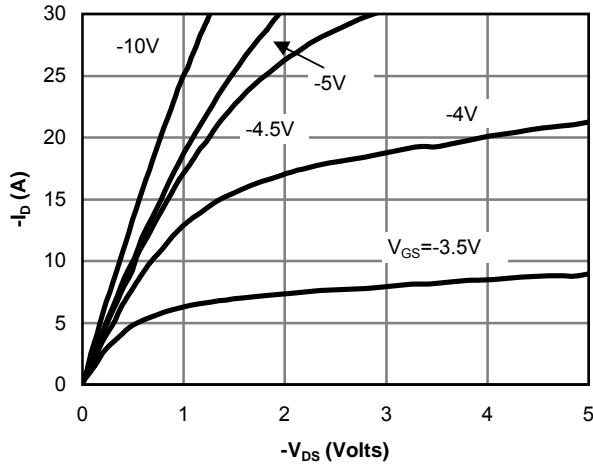


Fig 12: On-Region Characteristics

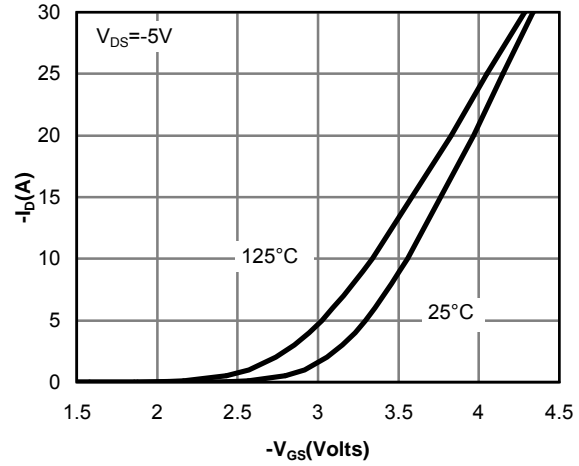


Figure 13: Transfer Characteristics

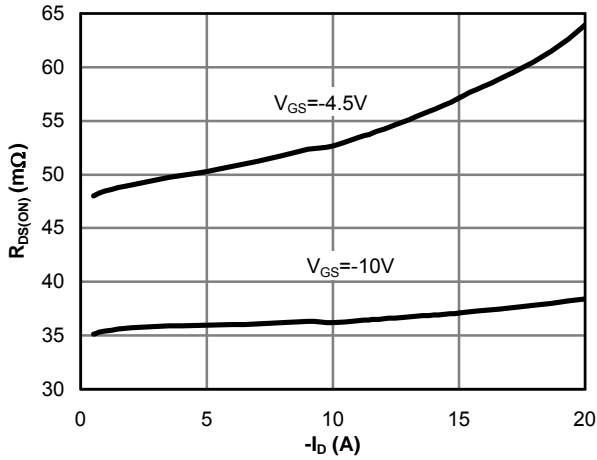


Figure 14: On-Resistance vs. Drain Current and Gate Voltage

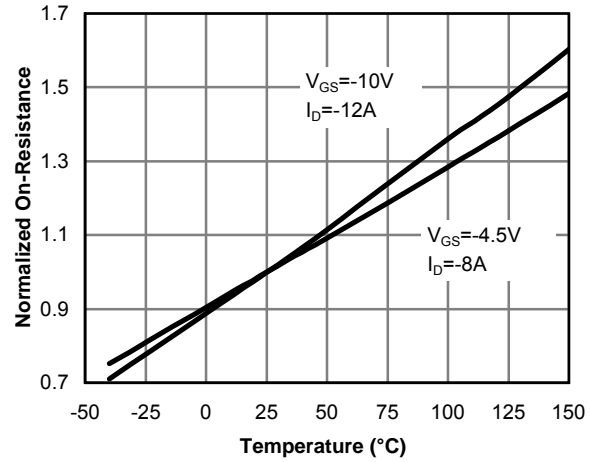


Figure 15: On-Resistance vs. Junction Temperature

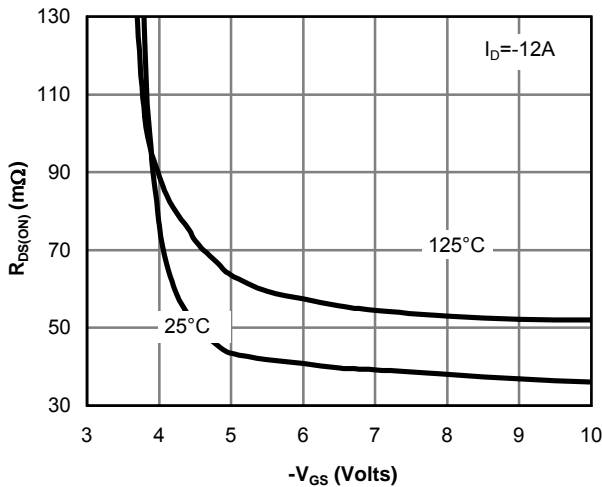


Figure 16: On-Resistance vs. Gate-Source Voltage

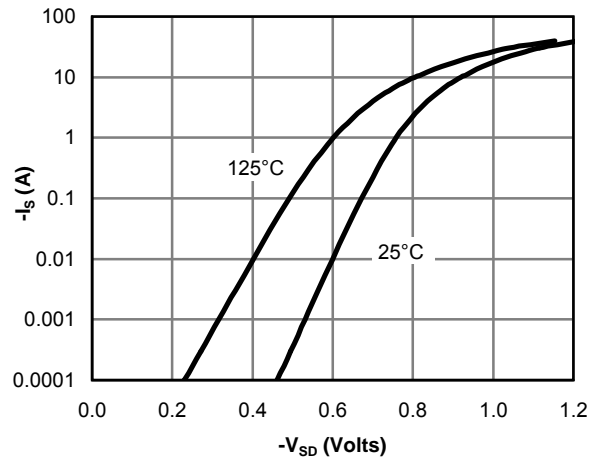


Figure 17: Body-Diode Characteristics

TYPICAL ELECTRICAL AND THERMAL CHARACTERISTICS: P-CHANNEL

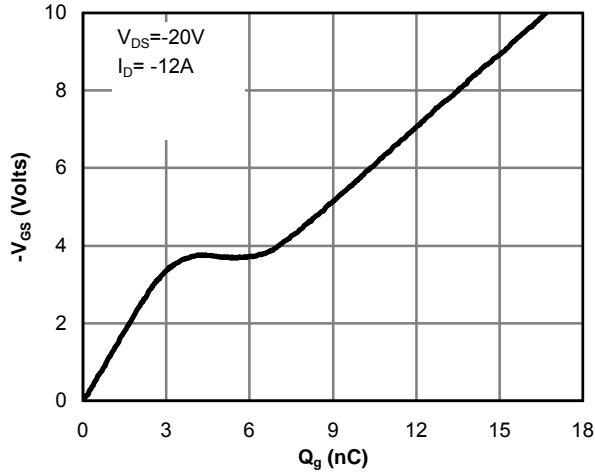


Figure 18: Gate-Charge Characteristics

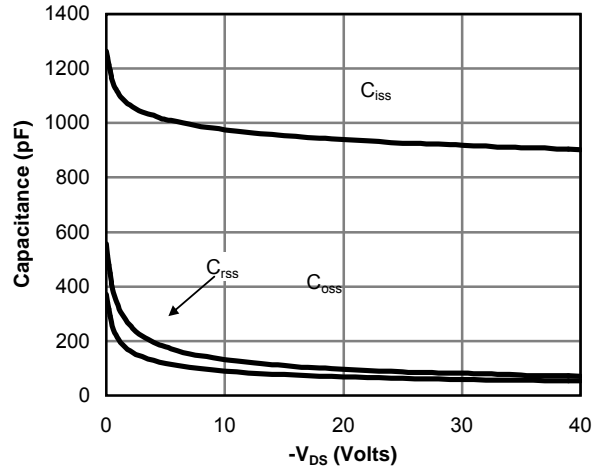


Figure 19: Capacitance Characteristics

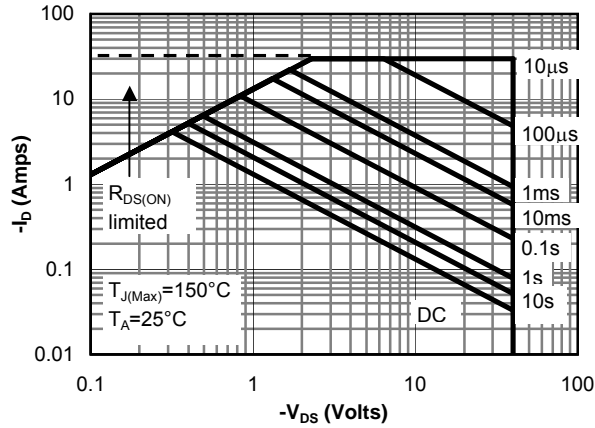


Figure 20: Maximum Forward Biased Safe Operating Area (Note E)

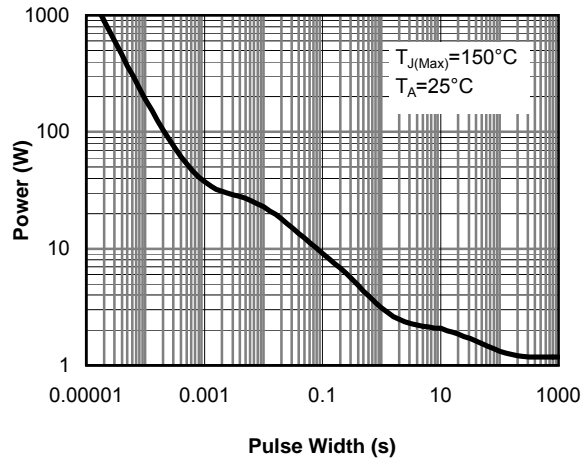


Figure 21: Single Pulse Power Rating Junction-to-Ambient (Note E)

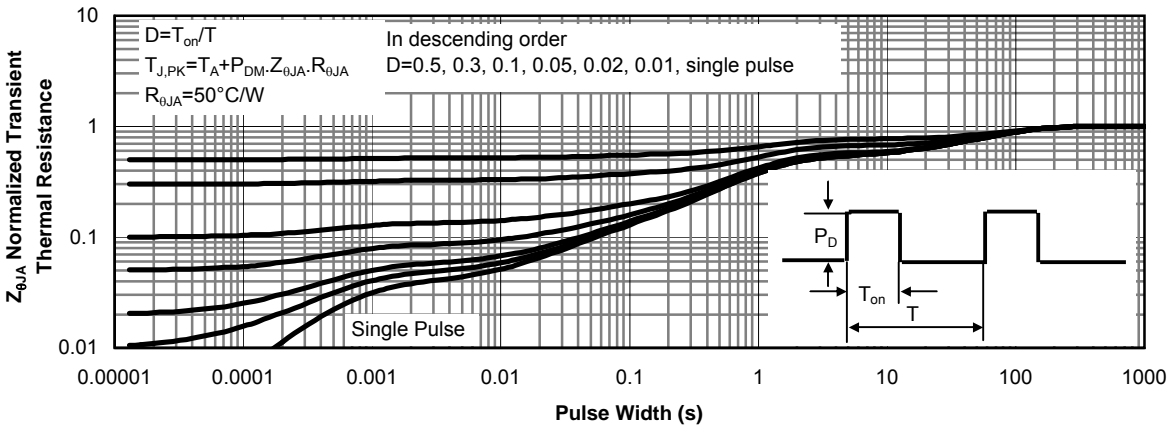
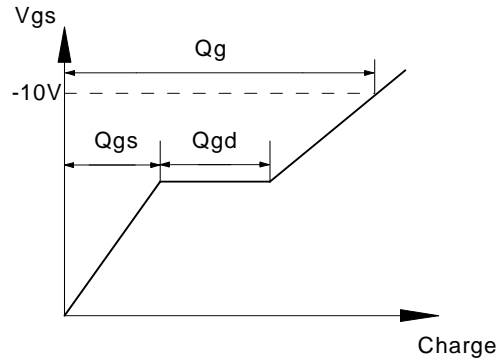
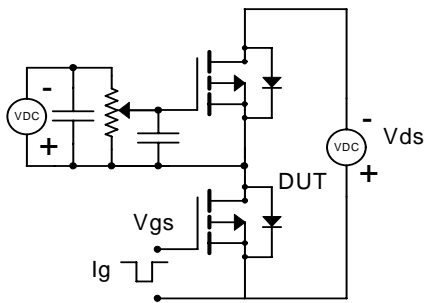
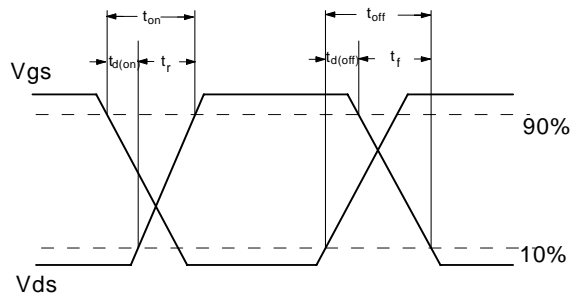
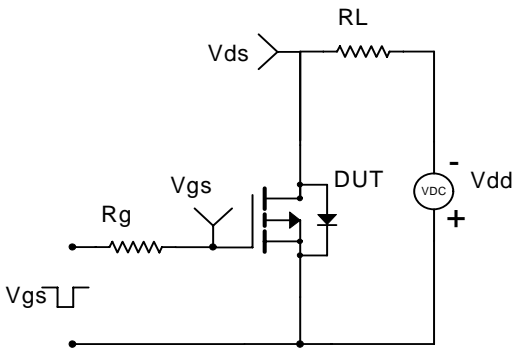


Figure 22: Normalized Maximum Transient Thermal Impedance

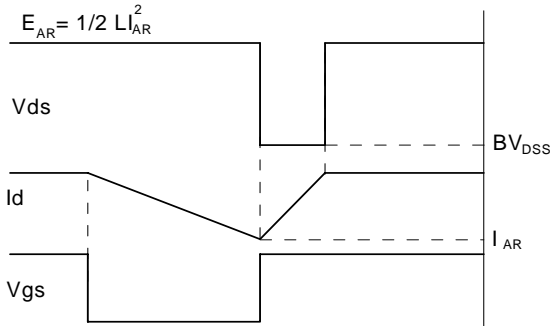
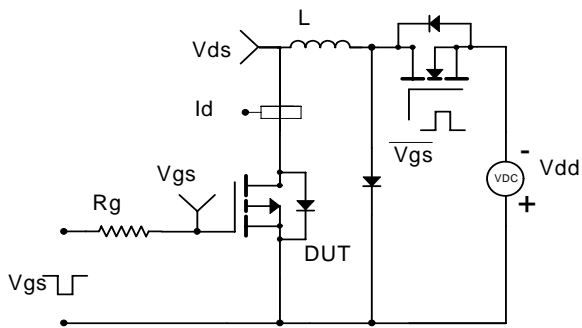
Gate Charge Test Circuit & Waveform



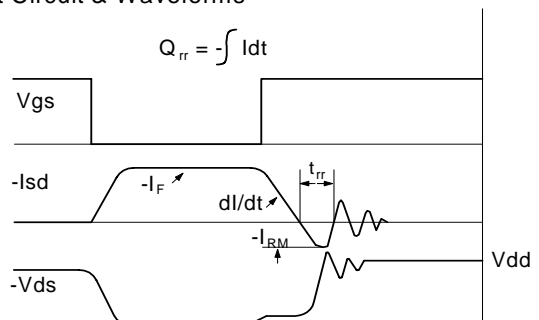
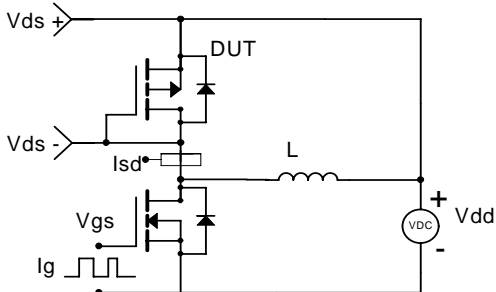
Resistive Switching Test Circuit & Waveforms



Unclamped Inductive Switching (UIS) Test Circuit & Waveforms



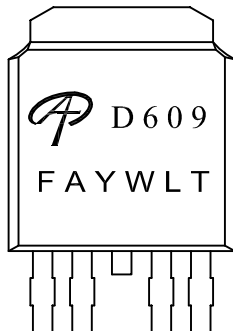
Diode Recovery Test Circuit & Waveforms





Document No.	PD-00796
Version	C
Title	AOD609 Marking Description

DPAK PACKAGE MARKING DESCRIPTION

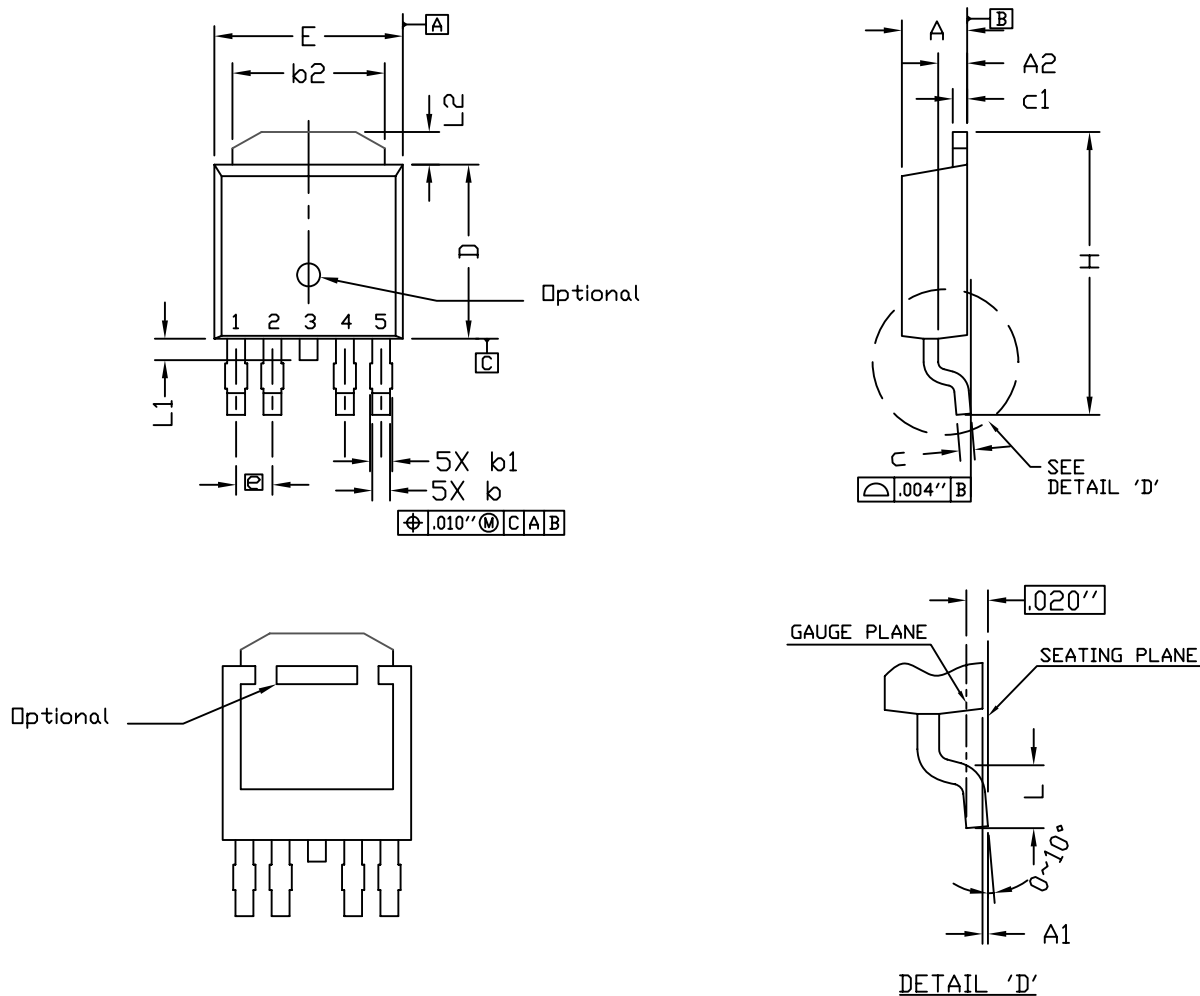


Green product

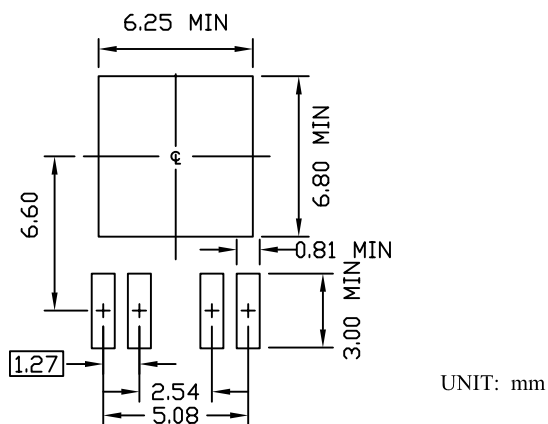
NOTE:	
LOGO	- AOS Logo
D609	- Part number code
F	- Fab code
A	- Assembly location code
Y	- Year code
W	- Week code
L&T	- Assembly lot code

PART NO.	DESCRIPTION	CODE
AOD609	Green product	D609
AOD609L	Green product	D609

TO252_4L PACKAGE OUTLINE



RECOMMENDED LAND PATTERN



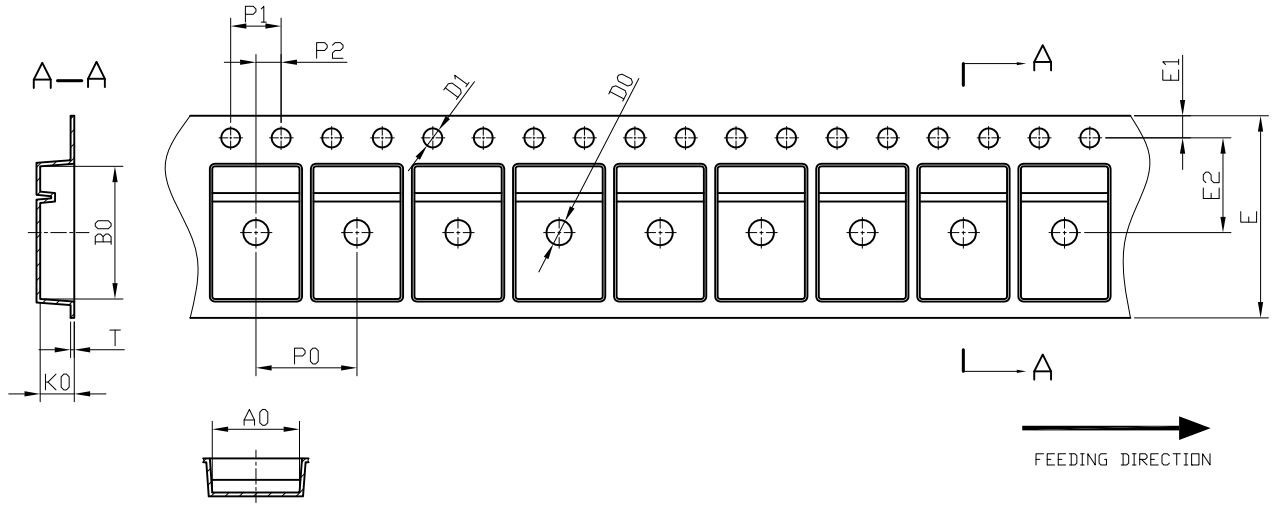
NOTE

1. PACKAGE BODY SIZES EXCLUDE MOLD FLASH AND GATE BURRS. MOLD FLASH SHOULD BE LESS THAN 6 MIL.
2. DIMENSION L IS MEASURED IN GAUGE PLANE.
3. TOLERANCE 0.10 mm UNLESS OTHERWISE SPECIFIED.
4. CONTROLLING DIMENSION IS MILLIMETER. CONVERTED INCH DIMENSIONS ARE NOT NECESSARILY EXACT.
5. REFER TO JEDEC TO-252 (AD).

SYMBOL	DIMENSION IN MILLIMETERS			DIMENSIONS IN INCHES		
	MIN.	NOM.	MAX.	MIN.	NOM.	MAX.
A	2.184	2.286	2.388	0.086	0.090	0.094
A1	0.000	----	0.127	0.000	----	0.005
A2	0.889	----	1.143	0.035	----	0.045
b	0.508	----	0.711	0.020	----	0.028
b1	0.584	----	0.787	0.023	----	0.031
b2	4.953	----	5.461	0.195	----	0.215
c	0.457	0.508	0.610	0.018	0.020	0.024
c1	0.457	----	0.610	0.018	----	0.024
D	5.969	6.096	6.223	0.235	0.240	0.245
E	6.350	6.604	6.731	0.250	0.260	0.265
e	1.270 BSC.			0.050 BSC.		
H	9.398	----	10.414	0.370	----	0.410
L	1.270	----	2.032	0.050	----	0.080
L1	----	----	1.016	----	----	0.040
L2	0.889	----	1.270	0.035	----	0.050



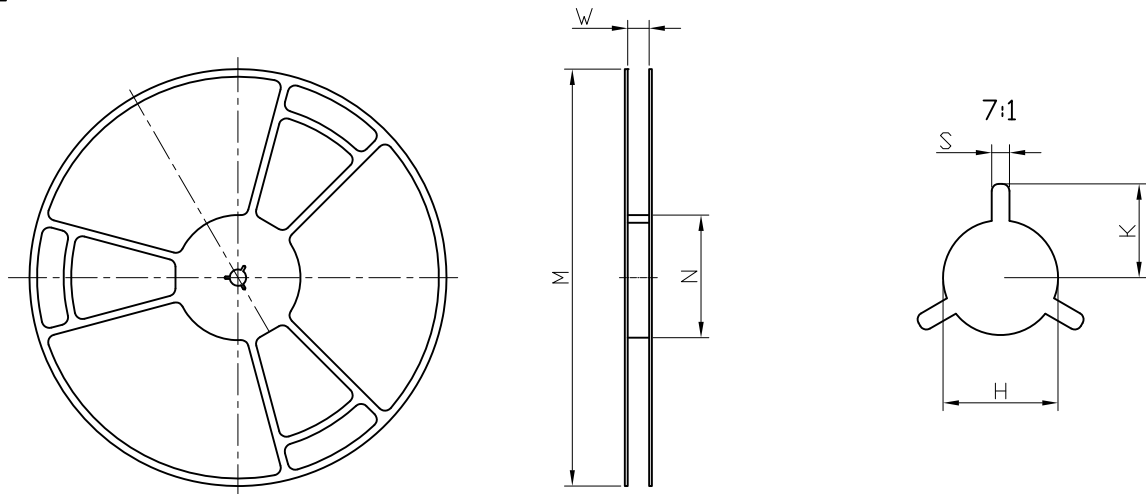
TO-252-4L
Carrier Tape



UNIT: MM

PACKAGE	A0	B0	K0	D0	D1	E	E1	E2	P0	P1	P2	T
TO-252-4L (16 mm)	6.90 ±0.10	10.50 ±0.10	2.70 ±0.10	2.00 ±0.25	1.50 +0.1 -0	16.00 ±0.30	1.75 ±0.10	7.50 ±0.10	8.00 ±0.10	4.00 ±0.10	2.00 ±0.10	0.30 ±0.05

TO-252-4L
Reel



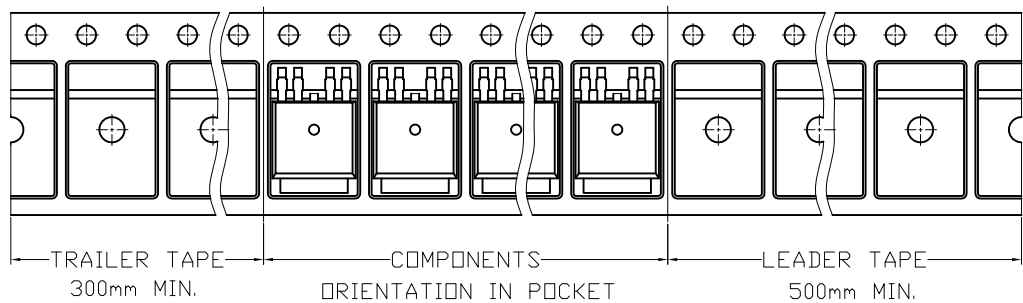
UNIT: MM

TAPE SIZE	REEL SIZE	M	N	W	H	K	S
16 mm	ø330	ø330.00 ±0.5	ø97.00 ±1.0	17.0 +1.5 -0	ø13.00 +0.50 -0.20	10.6 ±0.25	2.0 ±0.5

TO-252-4L Tape

Leader / Trailer
& Orientation

Unit Per Reel:
2500pcs





AOS Semiconductor Product Reliability Report

AOD609, rev B

Plastic Encapsulated Device

ALPHA & OMEGA Semiconductor, Inc

**495 Mercury Drive
Sunnyvale, CA 94085
U.S.**

Tel: (408) 830-9742

www.aosmd.com



This AOS product reliability report summarizes the qualification result for AOD609. Accelerated environmental tests are performed on a specific sample size, and then followed by electrical test at end point. Review of final electrical test result confirms that AOD609 passes AOS quality and reliability requirements. The released product will be categorized by the process family and be monitored on a quarterly basis for continuously improving the product quality.

Table of Contents:

- I. Product Description
- II. Package and Die information
- III. Environmental Stress Test Summary and Result
- IV. Reliability Evaluation

I. Product Description:

The AOD609 uses advanced trench technology MOSFETs to provide excellent $R_{DS(ON)}$ and low gate charge. The complementary MOSFETs may be used in H-bridge, Inverters and other applications.

- RoHS Compliant
- Halogen Free*

Absolute Maximum Ratings $T_A=25^\circ\text{C}$ unless otherwise noted				
Parameter	Symbol	Max n-channel	Max p-channel	Units
Drain-Source Voltage	V_{DS}	40	-40	V
Gate-Source Voltage	V_{GS}	± 20	± 20	V
Continuous Drain Current ^{B,H}	I_D	$T_C=25^\circ\text{C}$	23	A
		$T_C=100^\circ\text{C}$	17	
Pulsed Drain Current ^B	I_{DM}	30	-30	
Avalanche Current ^C	I_{AR}	14	-20	
Repetitive avalanche energy $L=0.1\text{mH}^C$	E_{AR}	9.8	20	
Power Dissipation	P_D	$T_C=25^\circ\text{C}$	27	W
		$T_C=100^\circ\text{C}$	14	
Power Dissipation	P_{DSM}	$T_A=25^\circ\text{C}$	2	W
		$T_A=70^\circ\text{C}$	1.3	
Junction and Storage Temperature Range	T_J, T_{STG}	-55 to 175	-55 to 175	$^\circ\text{C}$

Thermal Characteristics: n-channel and p-channel					
Parameter	Symbol	Device	Typ	Max	Units
Maximum Junction-to-Ambient ^{A,D}	$R_{\theta JA}$	n-ch	17.4	25	$^\circ\text{C/W}$
Maximum Junction-to-Ambient ^{A,D}					
Maximum Junction-to-Lead ^C	$R_{\theta JC}$	n-ch	4	5.5	$^\circ\text{C/W}$
Maximum Junction-to-Ambient ^{A,D}					
Maximum Junction-to-Ambient ^{A,D}	$R_{\theta JA}$	p-ch	16.7	25	$^\circ\text{C/W}$
Maximum Junction-to-Ambient ^{A,D}					
Maximum Junction-to-Lead ^C	$R_{\theta JC}$	p-ch	3.5	5	$^\circ\text{C/W}$
Maximum Junction-to-Ambient ^{A,D}					



II. Die / Package Information:

	AOD609
Process	Standard sub-micron Low voltage N+P channel process
Package Type	3 leads TO252
Lead Frame	Cu, S/pad, Ag spot
Die Attach	Ag epoxy
Bond wire	G:1.3 mils Au; S: 2mils Cu
Mold Material	Epoxy resin with silica filler
Flammability Rating	UL-94 V-0
Backside Metallization	Ti / Ni / Ag
Moisture Level	Up to Level 1 *
Note * based on info provided by assembler and mold compound supplier	

III. Result of Reliability Stress for AOD609

Test Item	Test Condition	Time Point	Lot Attribution	Total Sample size	Number of Failures
Solder Reflow Precondition	168hr 85°c /85%RH +3 cycle reflow@260°c	-	9 lots	1210pcs	0
HTGB	Temp = 150°c , Vgs=100% of Vgsmax	168 / 500 hrs 1000 hrs	1 lot (Note A*)	82pcs 77+5 pcs / lot	0
HTRB	Temp = 150°c , Vds=80% of Vdsmax	168 / 500 hrs 1000 hrs	1 lot (Note A*)	82pcs 77+5 pcs / lot	0
HAST	130 +/- 2°c , 85%RH, 33.3 psi, Vgs = 80% of Vgs max	100 hrs	9 lots (Note B**)	495pcs 50+5 pcs / lot	0
Pressure Pot	121°c , 29.7psi, RH=100%	96 hrs	5 lots (Note B**)	275pcs 50+5 pcs / lot	0
Temperature Cycle	-65°c to 150°c , air to air,	250 / 500 cycles	8 lots (Note B**)	440pcs 50+5 pcs / lot	0

III. Result of Reliability Stress for AOD609

Continues

DPA	Internal Vision Cross-section X-ray	NA	5 5 5	5 5 5	0
CSAM		NA	5	5	0
Bond Integrity	Room Temp 150°c bake 150°c bake	0hr 250hr 500hr	40 40 40	40 wires 40 wires 40 wires	0
Solderability	245°c	5 sec	15	15 leads	0
Solder dunk	260°c	10secs 3 cycles	1	30 units	0

Note A: The HTGB and HTRB reliability data presents total of available AOD609 burn-in data up to the published date.

Note B: The pressure pot, temperature cycle and HAST reliability data for AOD609 comes from the AOS generic package qualification data.

IV. Reliability Evaluation

FIT rate (per billion): 64

MTTF = 1780 years

The presentation of FIT rate for the individual product reliability is restricted by the actual burn-in sample size of the selected product (AOD609). Failure Rate Determination is based on JEDEC Standard JESD 85. FIT means one failure per billion hours.

$$\text{Failure Rate} = \text{Chi}^2 \times 10^9 / [2 (N) (H) (Af)] = 1.83 \times 10^9 / [2 (164) (500) (258)] = 64$$

$$\text{MTTF} = 10^9 / \text{FIT} = 1.56 \times 10^7 \text{hrs} = 1780 \text{ years}$$

Chi² = Chi Squared Distribution, determined by the number of failures and confidence interval

N = Total Number of units from HTRB and HTGB tests

H = Duration of HTRB/HTGB testing

Af = Acceleration Factor from Test to Use Conditions (Ea = 0.7eV and Tuse = 55°C)

Acceleration Factor [**Af**] = **Exp** [Ea / k (1/Tj u - 1/Tj s)]

Acceleration Factor ratio list:

	55 deg C	70 deg C	85 deg C	100 deg C	115 deg C	130 deg C	150 deg C
Af	258	87	32	13	5.64	2.59	1

Tj s = Stressed junction temperature in degree (Kelvin), K = C+273.16

Tj u = The use junction temperature in degree (Kelvin), K = C+273.16

k = Boltzmann's constant, 8.617164 X 10⁻⁵eV / K