

SPECIFICATIONS FOR APPROVAL



Customer Part No.: _____ HELE. Part No: X2R019200BZ1H-CHZ
Application For: _____ Products: CRYSTAL
Accepted Model: _____ Type & Freq.: HSX221SR / 19.200MHz
Sample Order No: _____ Date: 2012/08/13

Approved By :

加高電子股份有限公司
加高電子股份有限公司
HARMONY ELECTRONICS CORP.

HARMONY ELECTRONICS (THAILAND) CO., LTD.

HARMONY ELECTRONICS (SHENZHEN) CORP., LTD.

TAIPEI OFFICE:

公司:(114)
台北市內湖區堤頂大道2段409號2樓
2F., NO.409, SEC.2, TIDING BLVD.,
NEIHU DISTRICT, TAIPEI CITY 114,
TAIWAN (R.O.C.)
TEL:886-2-26588883
FAX:886-2-26588683

TAIWAN FACTORY:

工廠:(831)
高雄市大寮區大發工業區華東路39號
No.39, Hua dong Rd., Daliao Dist.,Dafa
Industrial Park., Kaohsiung City 831,
Taiwan (R.O.C.)
TEL: (07)787-1555-6
FAX: (07)787-1557

THAILAND FACTORY:

66MOO 5, KAONGU-BEOKPRAI RD.,
T.BEOKPRAI, A. BANPONG,
RAJCHABUREE PROVINCE 70110,
THAILAND
TEL: (032)221994-6, 200740-1
FAX: (032)200742

SHENZHEN FACTORY:

深圳市福永鎮塘尾村塘橋路聚源工業區
QIAO TANG RD., TANGWEI VILLAGE
FU YONG TOWN SHENZHEN CITY
CHINA
TEL: 0755-7309272 / 7309262
FAX: 0755-7309755

Title HSX221SR				Country of origin		
QUARTZ CRYSTAL SPECIFICATION				TAIWAN FACTORY		
Date	Confirm	Check	Prepare	Spec. No.	Rev.	Page
2012/08/13	F. S. TSAI	C. L. WANG	U. F. CHEN	X2R019200BZ1H-CHZ	0	1

HARMONY ELECTRONICS CORP.

HSX221SR SPECIFICATION

INDEX

ITEM	PAGE
1. QUARTZ CRYSTAL UNIT SPECIFICATION	3
2. MARKING & DIMENSIONS	4
3. INSIDE STRUCTURE	5
4. EMBOSS CARRIER TAPE&REEL	
a. DIMENSIONS OF CARRIER TAPE	6
b. DIMENSIONS OF REEL	6-7
c. STORAGE CONDITION	7
d. STANDARD PACKING QUANTITY	7
e. MATERIAL OF TAPE	7
f. LABEL CONTENTS	7
g. TAPING DIMENSION	8
h. JOINT OF TAPE	8
i. RELEASE STRENGTH OF COVER TAPE	8
j. PACKAGE	9
5. MECHANICAL ENDURANCE	10
6. ENVIRONMENTAL ENDURANCE	10
7. SUPPLEMENT	11-12
8. Flow Chart	13

Title HSX221SR QUARTZ CRYSTAL SPECIFICATION				Country of origin TAIWAN FACTORY		
Date	Confirm	Check	Prepare	Spec. No.	Rev.	Page
2012/08/13	F. S. TSAI	C. L. WANG	U. F. CHEN	X2R019200BZ1H-CHZ	0	2

1. QUARTZ CRYSTAL UNIT SPECIFICATION

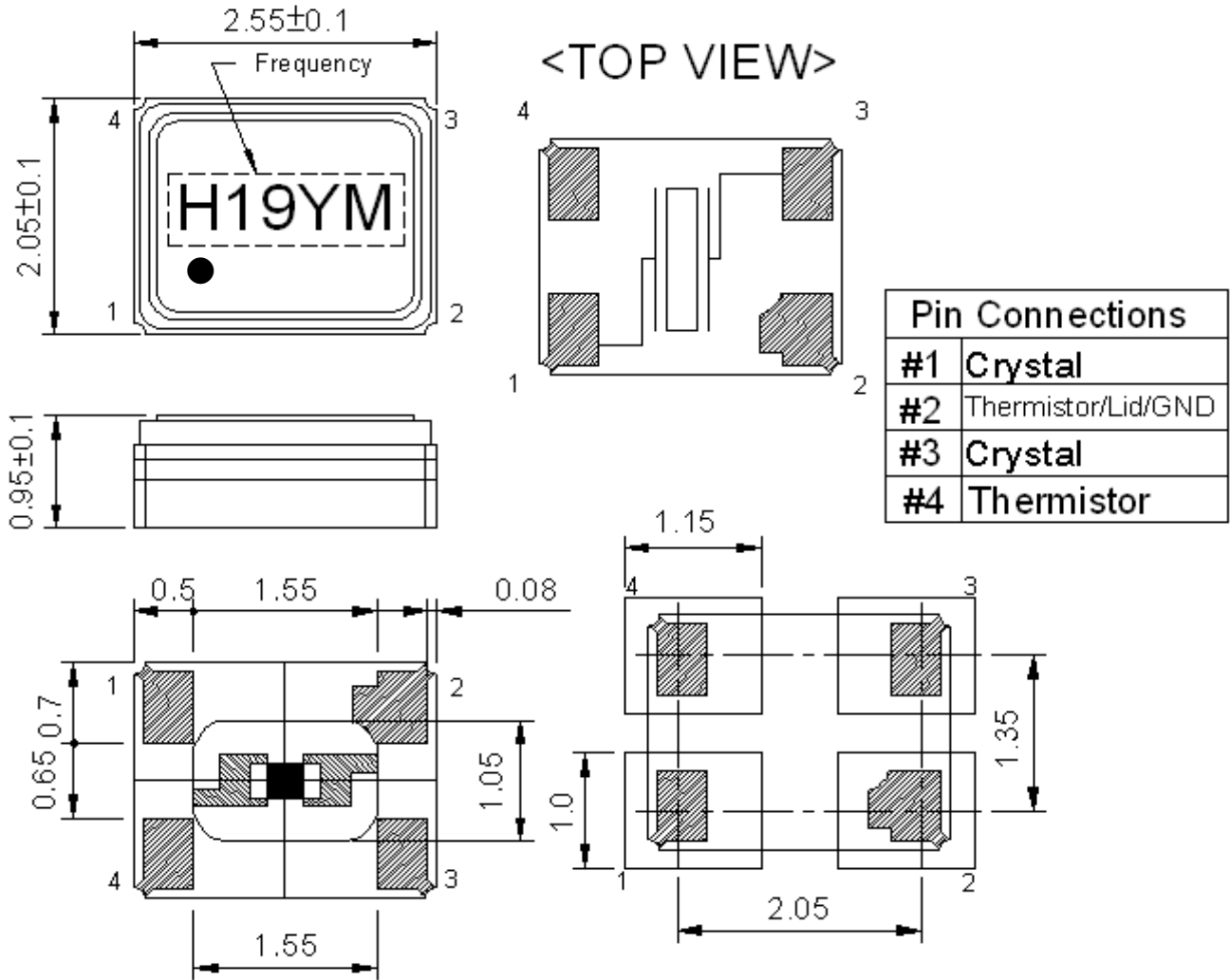
- 1. Frequency: 19.200000MHz
- 2. Holder type : **HSX221SR**
- 3. Frequency tolerance: +/-10 ppm at 25deg.C +/-3deg.C
- 4. Equivalent resistance: 80 ohms Max. / SERIES
- 5. Storage temperature range: -40 deg.C To +105 deg.C
- 6. Operable temperature range: -30 deg.C To +85 deg.C
- 7. Temperature drift: +/-12ppm -30 deg.C To +85deg.C
- 8. Loading capacitance (CL) : 7.0 pF +/- 0.2 pF
- 9. Drive level: 10 μ W +/- 2 uW (100uW Max)
- 10. Shunt Capacitance: 0.3~1.3 pF
- 11. Insulation resistance : More than 500M ohms at DC 100V
- 12. Mode of oscillation: Fundamental
- 13. Circuit: Measured in HP/E5100A,S&A 250B
- 14. Shocking : Dropping from 50 cm height 3 times on firm wood
Variation : Frequency less than +/-5 ppm
Resistance less than +/- 15 % or 2ohms max.
- 15. Aging: Less than +/- 1 ppm/Year
- 16. Holder HSX221SR Seam type
- 17. Dimensions and marking Refer to page.4
- 18. Emboss carrier tape & reel Refer to page.6 and page.7
- 19. Note: Motional capacitance: 1.80fF to 3.10fF
Spurious mode series resistance: 1100 ohms +/-1 MHz
Q value: Min. 75,000

Coefficient range:

- C0: -0.94ppm
 - C1: -0.2 ppm/°C (-0.40~-0.10ppm/°C)
 - C2: 0.3^{-4} ppm/°C²
 - C3: 9.932^{-5} ppm/°C³ (8.5^{-5} ~ 11.5^{-5} /°C³)
- C3 and C1 coefficients are calculated per Qualcomm's mini-spec 80-V9690-9 Rev. E and 80-V9690-23.

Title HSX221SR QUARTZ CRYSTAL SPECIFICATION				Country of origin TAIWAN FACTORY		
Date	Confirm	Check	Prepare	Spec. No.	Rev.	Page
2012/08/13	F. S. TSAI	C. L. WANG	U. F. CHEN	X2R019200BZ1H-CHZ	0	3

2. HSX221SR MARKING & DIMENSIONS



*Marking should be printed as following:

Logo, Nominal Frequency, Manufactured year & month

*Nominal frequency = integer only

(ex. 14.31818 MHz \rightarrow 14)

*Manufacturing Lot No. (M: month) ex. June shall be marked as ' F ' (As shown on the Table-2).

Marking : Laser marking.

(Table-1)

Year	2000	2001	2002	2003	2004	2005	2006	2007	2008	2009
	2010	2011	2012	2013	2014	2015	2016	2017	2018	2019
Code	0	1	2	3	4	5	6	7	8	9

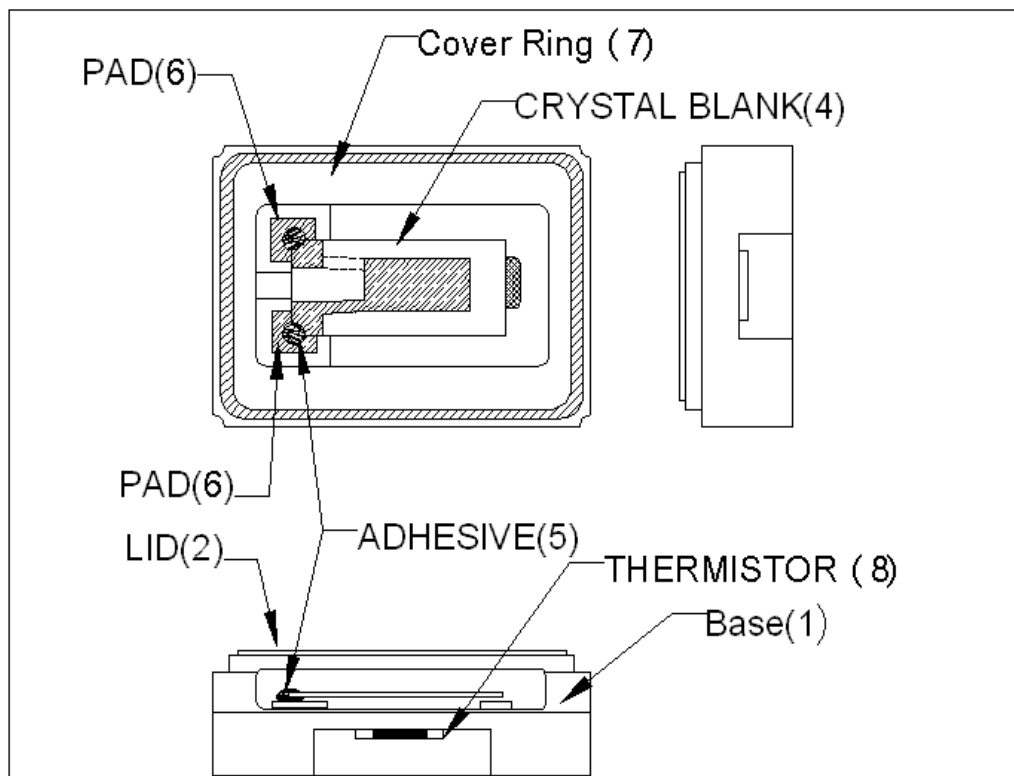
(Table-2)

Jan.	Feb.	Mar.	Apr.	May.	Jun.	Jul.	Aug.	Sep.	Oct.	Nov.	Dec.
A	B	C	D	E	F	G	H	J	K	L	M

Title HSX221SR QUARTZ CRYSTAL SPECIFICATION				Country of origin TAIWAN FACTORY			
Date	Confirm	Check	Prepare	Spec. No.	Rev.	Page	
2012/08/13	F. S. TSAI	C. L. WANG	U. F. CHEN	X2R019200BZ1H-CHZ	0	4	

HARMONY ELECTRONICS CORP.

3. INSIDE STRUCTURE



※Reference drawing

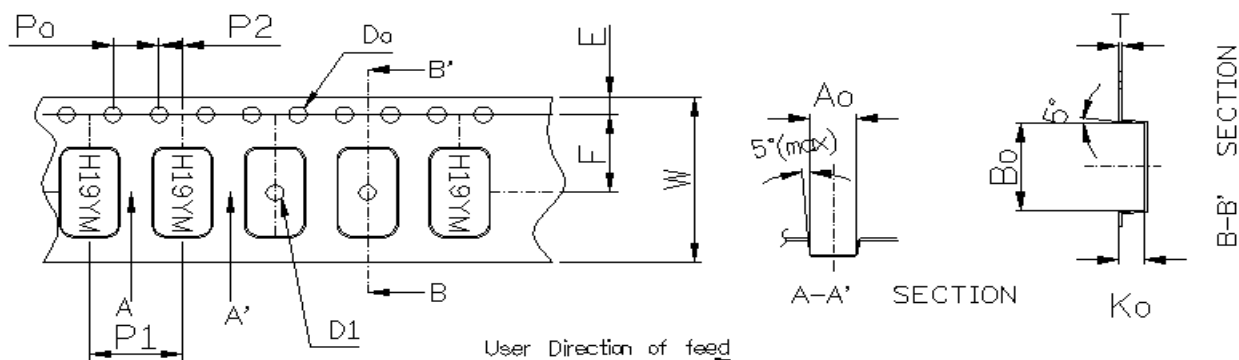
(1) Base: Alumina Ceramic (Al_2O_3) Metallized Pad: W Ni Plating Au Plating
(2) Lid : Fe- Ni -Co
(3) Crystal Enclosure Seal: Seal Seam
(4) Crystal Blank Rectangular At-Cut Quartz Crystal Blank
(5) Adhesive Silver Conductive Silicon Resin
(6) PAD Alumina Ceramic (W. Ni. Au)
(7) Cover Ring : Fe-Ni-Co Alloy
(8) Thermistor

The use prohibition chemistry substance of Table 1 of DHE-0204-1 (HE-QA-24) is not included in this item.

Title HSX221SR QUARTZ CRYSTAL SPECIFICATION				Country of origin TAIWAN FACTORY		
Date	Confirm	Check	Prepare	Spec. No.	Rev.	Page
2012/08/13	F. S. TSAI	C. L. WANG	U. F. CHEN	X2R019200BZ1H-CHZ	0	5

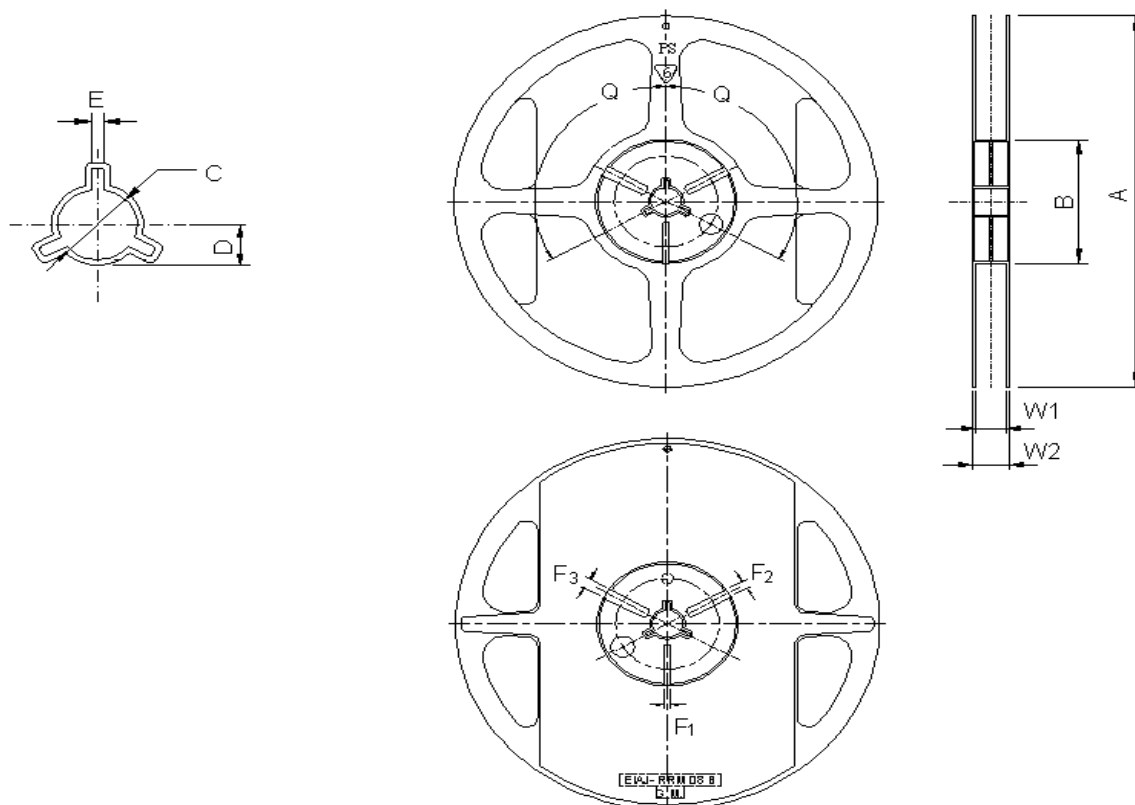
4. HSX221SR EMBOSS CARRIER TAPE & REEL

a.) Dimensions of Carrier Tape



Symbol	A_0	B_0	K_0	P_0	P_1	P_2
Spec	2.25 ± 0.05	2.7 ± 0.05	1.15 ± 0.05	4.0 ± 0.1	4.0 ± 0.1	2.0 ± 0.05
Symbol	E	F	D_0	D_1	W	T
Spec	1.75 ± 0.1	3.5 ± 0.05	$\phi 1.55 \pm 0.05$	$\phi 1.1 \pm 0.1$	8.0 ± 0.2	0.25 ± 0.05

b.) Dimensions of Reel



Title HSX221SR QUARTZ CRYSTAL SPECIFICATION				Country of origin TAIWAN FACTORY		
Date 2012/08/13	Confirm F. S. TSAI	Check C. L. WANG	Prepare U. F. CHEN	Spec. No. X2R019200BZ1H-CHZ	Rev. 0	Page 6

(Table-2)

(UNIT: mm)

ITEM		MARK	DIMENSIONS · ANGLE	
FLANCE	Diameter	A	ϕ 180+0/-3	
	Inner Width	W1	9.3+/-0.3	
	Outer Width	W2	11.3+/-1.0	
HUB	Out Line diameter	B	ϕ 60.5+/-0.5	
	Center Core slit	Width	F1	3.0+0.5/-0
			F2	4.0+0.5/-0
			F3	5.0+0.5/-0
		Position	q	120deg
	Spindle diameter		C	ϕ 13.2+/-0.5
Key Ditch	Width	E	3.0+/-0.2	

c.) Storage condition

Temperature: +40deg.C Max.

Relative Humidity: 80% Max.

d.) Standard packing quantity

3,000PCS / REEL

e.) Material of the tape

Tape	Material
Carrier tape	PS Conductive
Top tape	Polyester

f.) Label contents

- .The type of product
- .Our specification No.
- .Your Part No.
- .Lot No.
- .Nominal Frequency
- .Quantity
- .Our Company Name

Sticks label for every reel.

TYPE	
SPEC NO.	
Parts NO.	
Lot No.	
FREQ.	
Q'TY	(RoHS Compliance)
H.E.ELE HARMONY ELECTRONICS CORP.	

Title HSX221SR

QUARTZ CRYSTAL SPECIFICATION

Country of origin

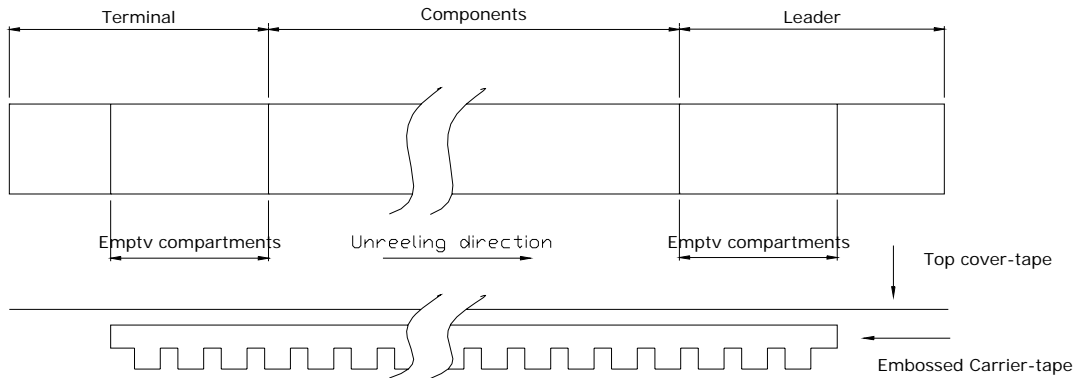
TAIWAN FACTORY

Date	Confirm	Check	Prepare	Spec. No.	Rev.	Page
2012/08/13	F. S. TSAI	C. L. WANG	U. F. CHEN	X2R019200BZ1H-CHZ	0	7

HARMONY ELECTRONICS CORP.

g.) Taping dimension

Leader	Cover-tape	The length of cover-tape in the leader is more than 400 mm including empty embossed area.
	Carrier-tape	After all products were packaged, must remain more than twenty pieces or 400 mm empty area, which should be sealed by cover-tape.
Terminal	Cover-tape	The tip of cover-tape shall be fixed temporary by paper tape and roll around the core of reel one round.
	Carrier-tape	The empty embossed area which are sealed by top cover-tape must remain more the 40 mm.



h.) Joint of tape

The carrier-tape and top cover-tape should not be jointed.

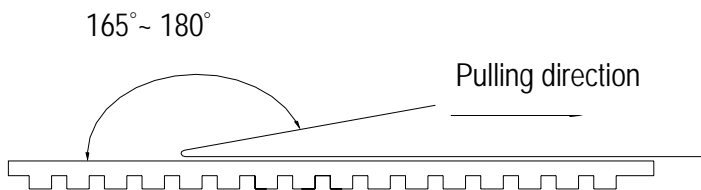
i.) Release strength of cover tape

It has to between 0.1N to 0.7N under following condition.

Pulling direction 165° to 180°

Speed 300mm/min.

Otherwise unless specified.

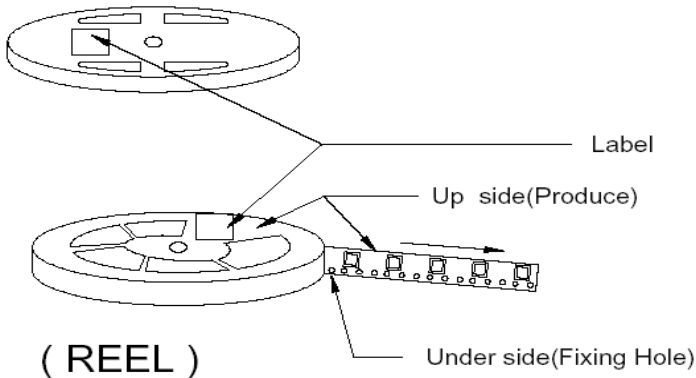


Other standards shall be based on JIS C 0806-1990.

Title HSX221SR QUARTZ CRYSTAL SPECIFICATION				Country of origin TAIWAN FACTORY		
Date 2012/08/13	Confirm F. S. TSAI	Check C. L. WANG	Prepare U. F. CHEN	Spec. No. X2R019200BZ1H-CHZ	Rev. 0	Page 8

j.) Package

1.Reel : $\phi 180$



TYPE	
SPEC No.	
Parts No.	
Lot No.	
FREQ.	(RoHS Compliance)
Q'TY	
HARMONY ELECTRONICS CORP.	

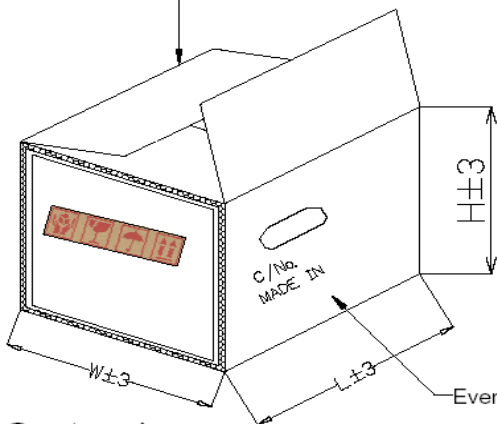
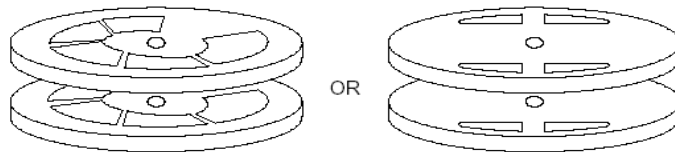
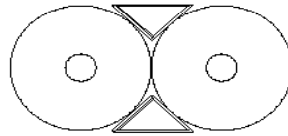
OR

TYPE	
SPEC No.	
Parts No.	
Lot No.	
FREQ.	(RoHS Compliance)
Q'TY	
Under side(Fixing Hole)	

2. Carton

One reel quantity:[1000pcs] & [3000pcs]

- ① Use the cushion to fill up the contline in the Carton.
- ② Carton's Q'TY:1~20 pcs.
- ③ Carton Type=A,B,C use two trigon pillar to fasten the Reel.
- ④ Need to add 5 pages dry agent in each outer box.



Carton Type	A	B	C	D
Produce Type	840/751	630/531/421	321/21	OTHER
Reel	10	10	20	1~7
L±3	360	360	360	195
W±3	195	195	195	195
H±3	140	120	120	150

(Carton)

Title HSX221SR QUARTZ CRYSTAL SPECIFICATION				Country of origin TAIWAN FACTORY		
Date	Confirm	Check	Prepare	Spec. No.	Rev.	Page
2012/08/13	F. S. TSAI	C. L. WANG	U. F. CHEN	X2R019200BZ1H-CHZ	0	9

5. Mechanical Performance

Item		Test Methods	Specifications Code
1	Natural Drop	Drop 3 times from the height of 50cm onto min. 30mm thickness hard wooden board.	A
2	Vibration	Frequency 10-55Hz, Sine Wave full amplitude of 0.8mm to X, Y and Z 3 axes, Duration of 2 hours to each axis.	A
3	Sealing Tightness	Leak Rate 1.0×10^{-8} Pa-m ³ /sec. Max. Measured by Helium leak detector. – Fine Leakage.	---
4	Solderability	After applying ROSIN Flux, dipping in solder bath at 245deg.C +/- 5deg.C for 3 +/- 0.5 sec.	B

6. Environment Performance

Item		Test Methods	Specifications Code
1	Humidity	Temperature 60°C +/- 2°C, RH 90~95%, Duration of 240 hours. Back to room temperature first, then in 1~2 hours, the component shall be checked.	A
2	Storage in Low Temperature	-40deg.C +/- 2deg.C, Duration of 240 hours. Back to the room temperature first, then in 1~2 hours, the component shall be checked.	A
3	Storage in High Temperature	+85deg.C +/- 2deg.C, Duration of 240 hours. Back to the room temperature first, then in 1~2 hours, the component shall be checked.	A
4	Temperature cycles	-40deg.C +/- 2deg.C (30min) ↔ +85deg.C +/- 2deg.C (30min) 25 cycles. Back to the room temperature first, then in 1~2 hours, the component shall be checked.	A

Specifications code	Specifications
A	Frequency variation shall be within +/- 5ppm and equivalent resistance shall be within the specification after the test
B	More than 90% of lead shall be covered by new solder.

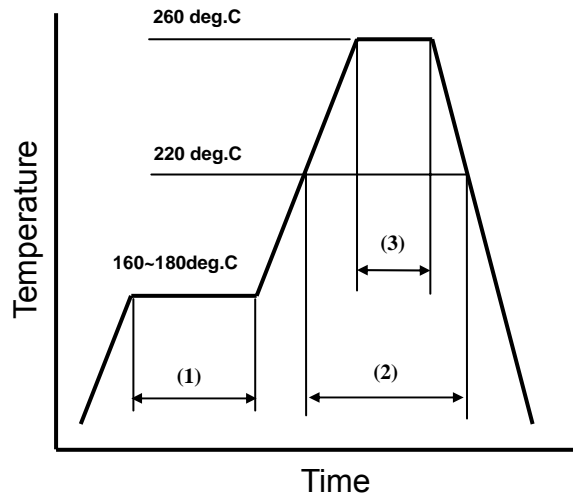
Title HSX221SR QUARTZ CRYSTAL SPECIFICATION				Country of origin TAIWAN FACTORY		
Date	Confirm	Check	Prepare	Spec. No.	Rev.	Page
2012/08/13	F. S. TSAI	C. L. WANG	U. F. CHEN	X2R019200BZ1H-CHZ	0	10

7. Supplement

7.1.Soldering

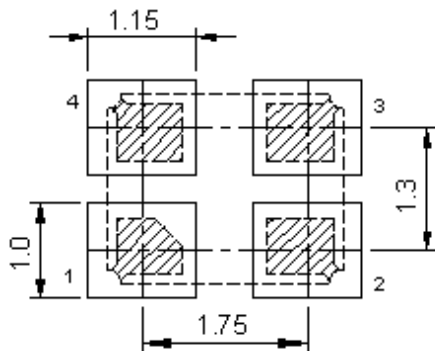
7.2.Please stay with our proposed reflow condition and do then soldering 2 times max.

Available for Lead Free Soldering



(1)	Preheat	160~180 deg.C	120sec.
(2)	Primary heat	220 deg.C	60sec.
(3)	Peak	260 deg.C	10sec. Max.

7.3.Land pattern layout(Example)



7.4.Solder iron (Example)

Bit temp.:350°C max.,Time:3sec max. ,Each terminal solder a 1 time max.

Title HSX221SR QUARTZ CRYSTAL SPECIFICATION				Country of origin TAIWAN FACTORY		
Date 2012/08/13	Confirm F. S. TSAI	Check C. L. WANG	Prepare U. F. CHEN	Spec. No. X2R019200BZ1H-CHZ	Rev. 0	Page 11

7.5.Mounting

This component is designed for automatic insertion.

However, you are requested to do the trial with your insertion machine in order to be sure of proper operation and no damage of component.

Please pay attention to board warp which may damage the component and cause Soldering Process.

7.6.Cleaning

Cleaning liquid which corrodes Nickel shall not be used

It may cause the problem on the surface, color, marking etc.

Ultra-sonic cleaning is possible, however, you are requested to check on your board.

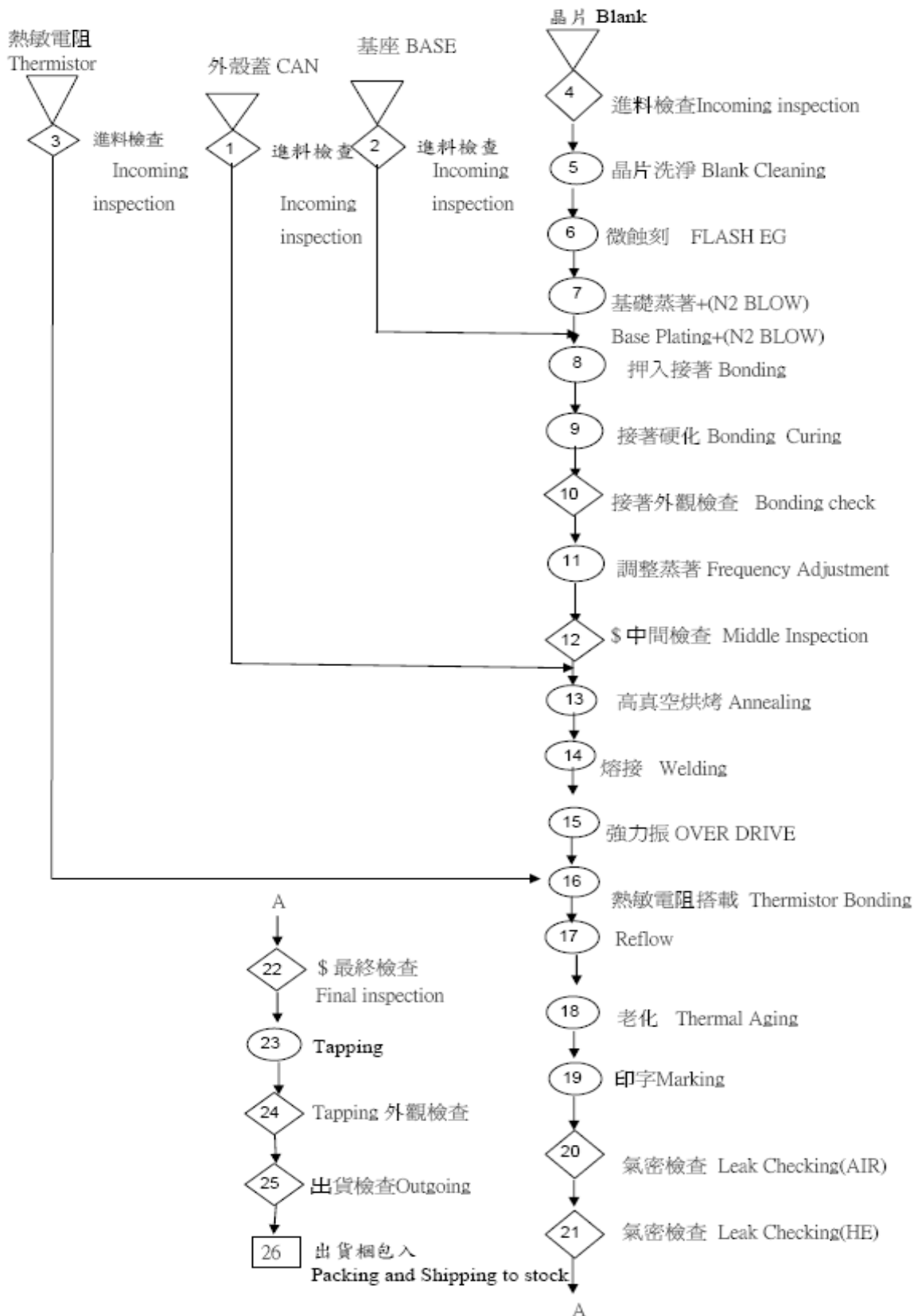
Because we only checked as single unit.

7.7.Storage

Please keep away from high temperature and high humidity ,which may cause put solderbility. No direct Sunlight, No dew as well.

Title HSX221SR QUARTZ CRYSTAL SPECIFICATION				Country of origin TAIWAN FACTORY		
Date	Confirm	Check	Prepare	Spec. No.	Rev.	Page
2012/08/13	F. S. TSAI	C. L. WANG	U. F. CHEN	X2R019200BZ1H-CHZ	0	12

8. Flow Chart



Title HSX221SR QUARTZ CRYSTAL SPECIFICATION				Country of origin TAIWAN FACTORY		
Date 2012/08/13	Confirm F. S. TSAI	Check C. L. WANG	Prepare U. F. CHEN	Spec. No. X2R019200BZ1H-CHZ	Rev. 0	Page 13

REV. No.	DATE	REASON	CONTENTS
0	2012/08/13	New	

Title HSX221SR QUARTZ CRYSTAL SPECIFICATION				Country of origin TAIWAN FACTORY		
Date 2012/08/13	Confirm F. S. TSAI	Check C. L. WANG	Prepare U. F. CHEN	Spec. No. X2R019200BZ1H-CHZ	Rev. 0	Page 14