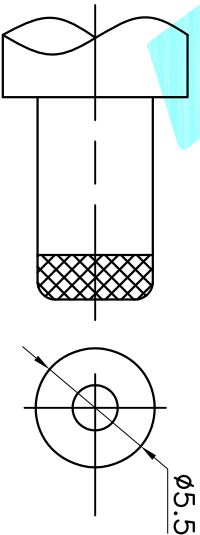
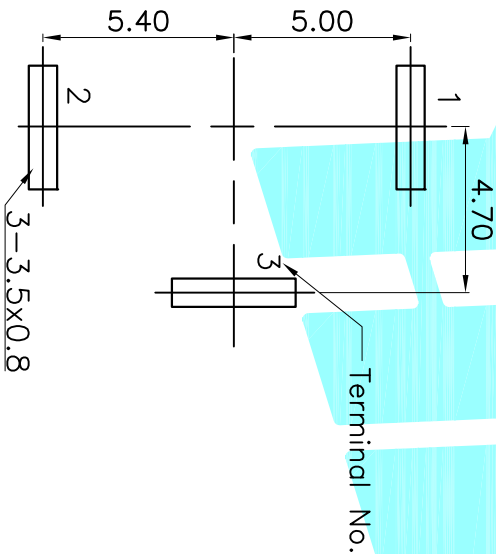
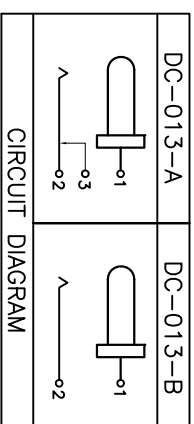


P.C.B LAYOUT(Copper-side view)



DC MATE PLUG

Rating:0.5A 30V DC
 Contact Resistance:100 mΩ Max.
 Operating temperature:-20℃~70℃
 Operating force:3~20N
 Operating Life:5,000cycles



Model No.	1	2	3
PIN	$\phi 2.0$	$\phi 2.35$	$\phi 2.5$

② Terminal	3	Phosphor bronze	Au Plating
① Housing	1	Nylon	Black
ITEM PART NAME	TER'NO. QTY.	MATERIAL	FINISHING
APPROVALS	DATE		
DRAWN J.X.Zhang	2013/11/11	ELECTRONICS CO.,LTD	
CHECKED		TITLE: PHONE JACKES	
APPROVALS		PART NO.	DC-013

ECN NO.	REV.	DATE.	DESCRIPTION.	CHANGE.	CHECK.	APPRO.	TOLERANCES ARE	30 ^{+0.1} 10 ^{+0.30} 5 ^{+0.10}	±0.30 ±0.20 ±0.15	ANGLE	UNIT: mm	SCALE: 1:1	PROJ.	SHEET 1 OF 1
	A		NEW					~ 5	±0.10	±2°	DRAWING NO.			