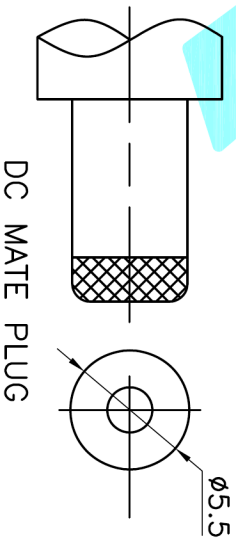
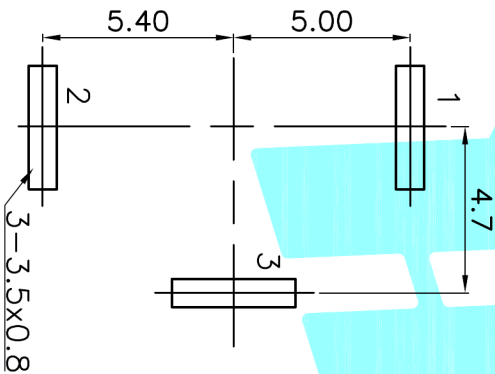
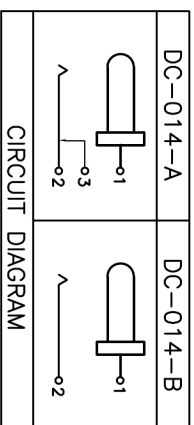


P.C.B LAYOUT(Copper-side view)



Model No.	1	2	3
PIN	$\phi 2.0$	$\phi 2.35$	$\phi 2.5$



Rating:0.5A 30V DC
 Contact Resistance:100 m Ω Max.
 Operating temperature:-20 $^{\circ}$ C~70 $^{\circ}$ C
 Operating force:3~20N
 Operating Life:5,000cycles

ECN NO.	REV.	DATE.	DESCRIPTION.	CHANGE.	CHECK.	APPRO.
	A		NEW			

② Terminal	3	Phosphor bronze	Au Plating			
① Housing	1	Nylon	Black			
ITEM	PART NAME	TER'NO.	QTY.	MATERIAL	FINISHING	REMARK
APPROVALS						
DRAWN	J.X.Zhang	DATE	2013/11/11	ELECTRONICS CO.,LTD		
CHECKED		TITLE:		PHONE JACKES		
APPROVALS		PART NO.	DC-014			
TOLERANCES ARE		30 \pm BLT	± 0.30	ANGLE	UNIT: mm	SCALE: 1:1
		10 \pm 30	± 0.20		DRAWING NO.	PROJ.
		5 \sim 10	± 0.15	$\pm 2^{\circ}$		SHEET 1 OF 1