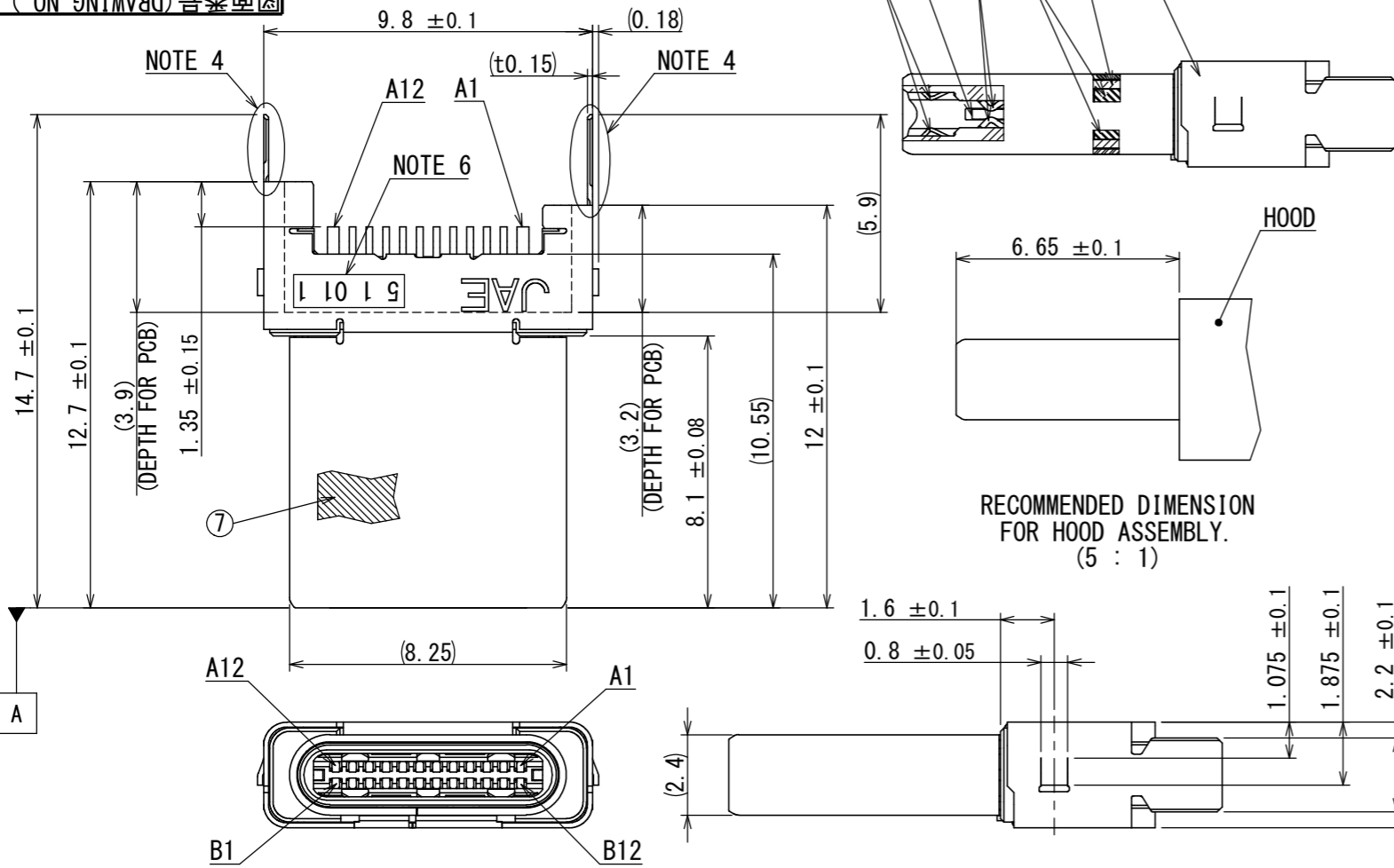
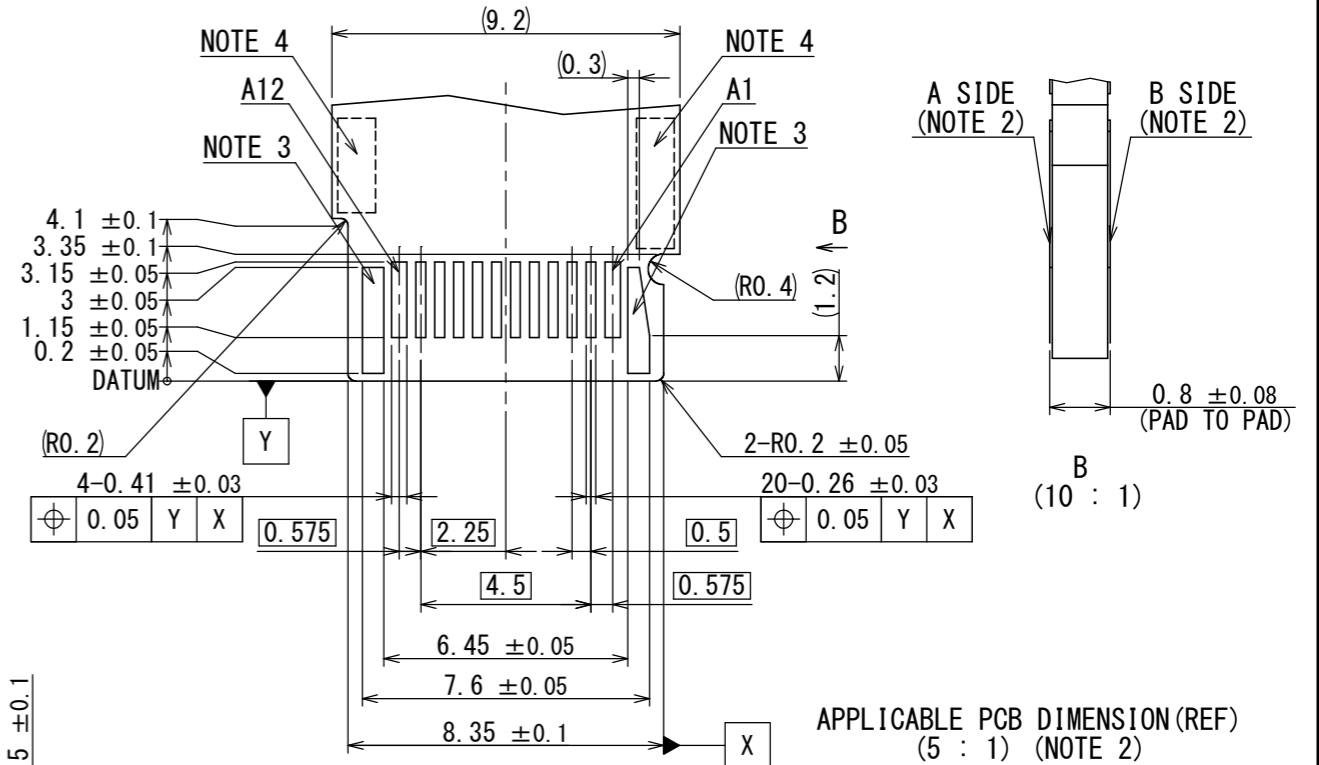


808911CS
(ON DRAWING)台架図

版数 VER.	年月日 DATE	内容 CN NO.	変更内容 DESCRIPTION	製図 DR.	担当 CHK.	査閲 APPD.	承認 APPD.
------------	-------------	--------------	---------------------	-----------	------------	-------------	-------------



RECOMMENDED DIMENSION
FOR HOOD ASSEMBLY.
(5 : 1)



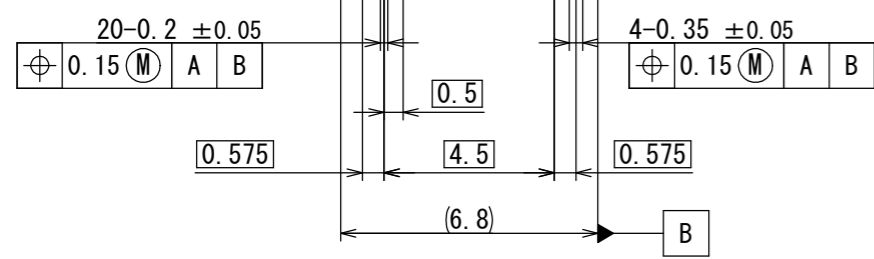
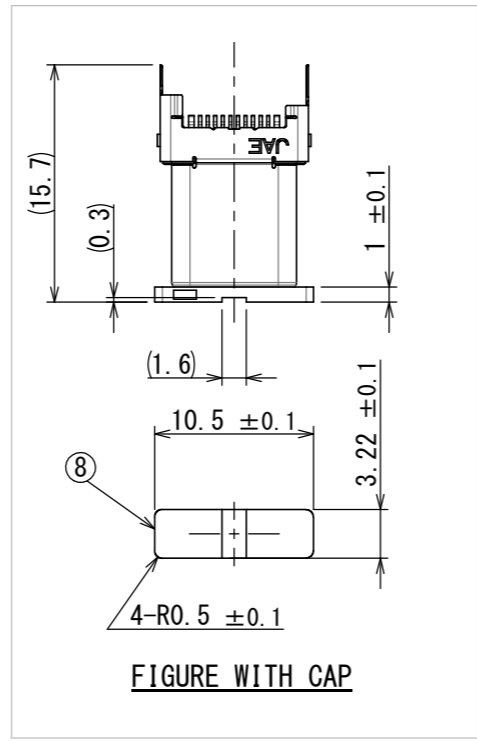
APPLICABLE PCB DIMENSION (REF)
(5 : 1) (NOTE 2)

- NOTE 1. THERE COULD BE UNRECOGNIZABLE DIFFERENCES FROM ACTUAL PRODUCT DUE TO PROCESS CONVENIENCE BUT NOT IMPACT ON THE FUNCTION.
- NOTE 2. PCB PADS CONFIGURATION BE SAME BETWEEN A SIDE AND B SIDE.
- NOTE 3. THERE PADS BE WHERE A CONNECTOR HOLDS PCB. SHALL NOT BE ELECTRICAL USE NOT SOLDERED.
- NOTE 4. RECOMMEND TO UTILIZE THE SIDE SHELL TABS BY SOLDERING TO PCB PADS FOR THE MECHANICAL STRENGTH.
- NOTE 5. RECOMMEND TO KEEP THE CAP STAY IN PLACE UNTIL ALL THE PROCESSES DONE. THE CAP PREVENTS A CONNECTOR FROM DEFORMED AND CONTAMINATION DURING PROCESSES SUCH AS PADDLE CARD ASSEMBLY AND CABLE ASSEMBLY.
- NOTE 6. LOT NUMBER IS MARKED AS INDICATED.

(EX) 5 1 01 1
YEAR MONTH DAY EQUIPMENT No. (NUMBER OR ALPHABET)
(END OF ONE DIGIT AT CHRISTIAN ERA)
(JAN. TO SEP. :1 TO 9, OCT. :0, NOV. :X, DEC. :Y)
(TWO-DIGITS NUMBER)

符号 NO.	名称 DESCRIPTION	個数 QTY.	材料 MATERIAL	仕上 FINISH	備考 REMARKS
8	CAP	1	HEAT RESISTING PLASTIC	(BLACK)	
7	TAPE	2	POLYIMIDE	-	
6	SHELL	1	STAINLESS STEEL	NICKEL PLATING	
5	GROUND SPRING	2	STAINLESS STEEL	NICKEL PLATING	
4	LOCK	1	STAINLESS STEEL	-	
3	INSULATOR B	2	HEAT RESISTING PLASTIC	(BLACK)	
2	INSULATOR A	1	HEAT RESISTING PLASTIC	(BLACK)	
1	CONTACT	24	COPPER ALLOY	CONTACT AREA: GOLD FLASH OVER PALLADIUM-NICKEL OVER NICKEL SOLDER TAILS: GOLD FLASH OVER NICKEL	

仕様書 (SPECIFICATION) JACS-30353 J AHL-30353		第1版 (ORIGINAL DATE) 16/MAR/2015	尺度 (SCALE) 5:1	シリーズ (SERIES) DX07	日本航空電子工業株式会社 JAE JAPAN AVIATION ELECTRONICS INDUSTRY, LTD.
一般公差 (GENERAL TOLERANCE) 寸法 (DIMENSION) ±0.8 × ±0.4 ×× ±0.1 ××× ±		製図 DR. — 担当 CHK. Y. SAITOU 査閲 APPD. — 承認 APPD. T. MASUMOTO	名称 (TITLE) DX07P024MJ1		
角度 (ANGLES) ×° ± ×°×' ±		質量 (MASS)	図面番号 (DRAWING NO.) SJ115803		版数 (VER.) 1



DCF-C-212H(12.08)

WISDOM承認 2015/03/21

Mouser Electronics

Authorized Distributor

Click to View Pricing, Inventory, Delivery & Lifecycle Information:

[JAE Electronics:](#)

[DX07P024MJ1R1500](#)