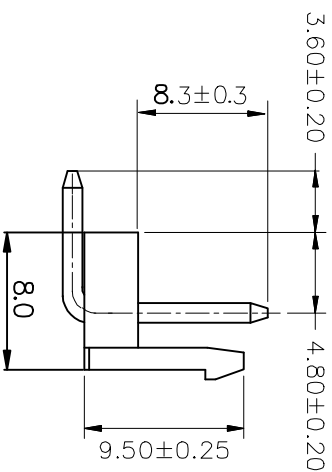


P.C.B. LAYOUT



**SPECIFICATIONS**

Current Rating: 7A AC,DC  
 Voltage Rating: 250V AC,DC  
 Temperature Range: -25°C ~ +85°C  
 Contact Resistance: 10mΩ Max  
 Insulation Resistance: 1000MΩ Min  
 Withstanding Voltage: 1500V AC/minute  
 Pin Material: Brass/Tin-plated  
 Material: Nylon 66, UL94V-2  
 Color: Natural(White)

**Ordering Information & Dimensions**

PART NO.	Dimensions	
	A	B
3962R-02P	3.96	7.92
3962R-03P	7.92	11.88
3962R-04P	11.88	15.84
3962R-05P	15.84	19.80
3962R-06P	19.80	23.76
3962R-07P	23.76	27.72
3962R-08P	27.72	31.68
3962R-09P	31.68	35.64
3962R-10P	35.64	39.60
3962R-11P	39.60	43.56
3962R-12P	43.56	47.52

**TOLERANCE TABLE**

.0	±0.30
.00	±0.20
.000	±0.05

APPROVED:

DATE:

CHECKED:

DATE:

DRAWN:

DATE:

LYP

2011-01-13

**深圳市如科盟实业有限公司**  
 KMITW CHANKLEMENT INDUSTRY CO., LTD

TITLE:  
 3962R-XP 贴弯

PROD. P/N	/
UNIT	mm
SCALE	free
FILE NO.	Clientw-3962-00015
REV.	A
YTD	1