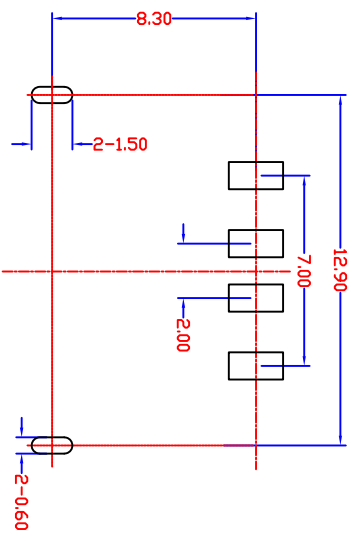
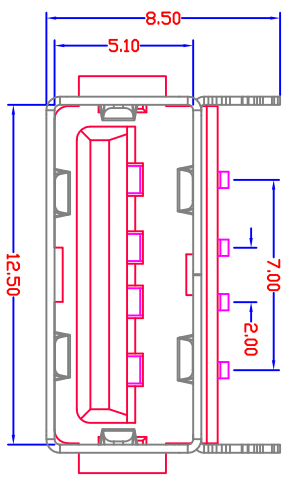
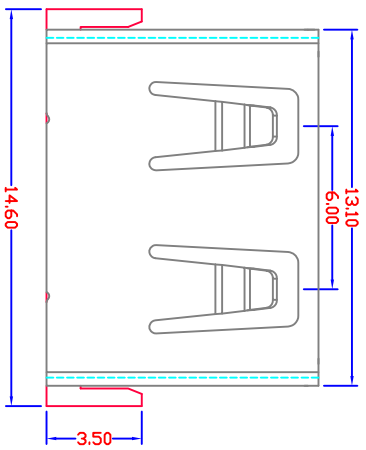
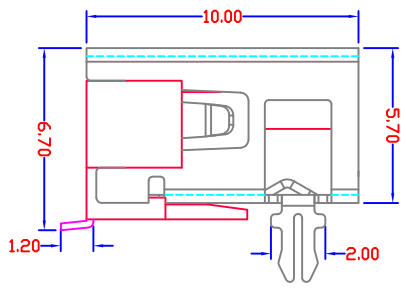
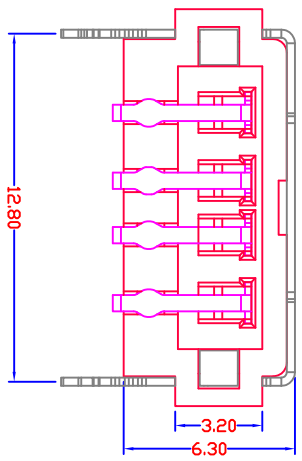


MAPX	MODIFICATION	DATE
------	--------------	------



RECOMMENDED P.C.B LAYOUT

Specification:

1. Electrical Characteristics:

Dielectric Withstanding Voltage: AC 500V/1MINUTE.
 Insulation Resistance: 1000 MΩ/Min.
 Contact Resistance: 30 mΩ Max.

2. Mechanical Characteristics:

INSERTION FORCE: 30N(3.06Kgf) MAX
 EXTRACTION FORCE: 10~30N(1.02~3.06Kgf)
 Durability: 1500cycles, EXTRACTION FORCE: 10~30N(1.02~3.06Kgf)

3. Material:

Terminal: Phosphor Bronze, C5191/C2680R-EH T=0.25
 Plating: Gold 0.76 um Min plating over 1.27 um Min Nickel underplate, 2.54 um Min Sn selective plating on solder tail;
 Shell: Bronze, C2680R-H =0.30mm
 Plating: Nickel underplate 2.54 um Min;
 Housing: LCP Black

4. Environmental:

Operating Temperature: 0°C to +85°C.

产品图
PRODUCT CHART DWG

深圳市精拓金电子有限公司

公差一览表
TOLERANCE UNLESS OTHERWISE

X	±0.15	X	±5.°
X	±0.10	X	±2.°
XX	±0.05	XX	±1.°
XXX	±0.03	XXX	±0.5°

单位	MM	制图	Z-Y-B	制料号	JTY-USB-A/F-10.0-027
UNITS	MM	DRAWING		PRODUCT PART NO	
比例	1:1	审核		产品名称	USB A/F SMT 短体前两脚无边
SCALE		CHKD		PRODUCT NO	
日期	2012.04.1	核准		角法	
DATE		APPD		VIEW	
				版本	AD
				VER	

