

GENERAL DESCRIPTION

OB5269B is a highly integrated current mode PWM control IC with high voltage start up, optimized for high performance, low standby power consumption and cost effective offline flyback converter applications.

PWM switching frequency at normal operation is internally fixed and is trimmed to a tight range. At no load or light load condition, the IC operates in extended 'burst mode' to minimize switching loss. Very low standby power consumption and very high conversion efficiency is thus achieved.

High voltage startup is implemented in OB5269B, which features with short startup time and low standby current.

OB5269B offers complete protection coverage with auto-recovery including Cycle-by-Cycle current limiting (OCP), over load protection (OLP), brownout protection and VDD under voltage lockout (UVLO). It also provides the protections with latched shut down including over temperature protection (OTP), and VDD over voltage protection. Excellent EMI performance is achieved with On-Bright proprietary frequency shuffling technique.

The tone energy at below 22KHZ is minimized to avoid audio noise during operation.

OB5269B is offered in SOP8 package.

FEATURES

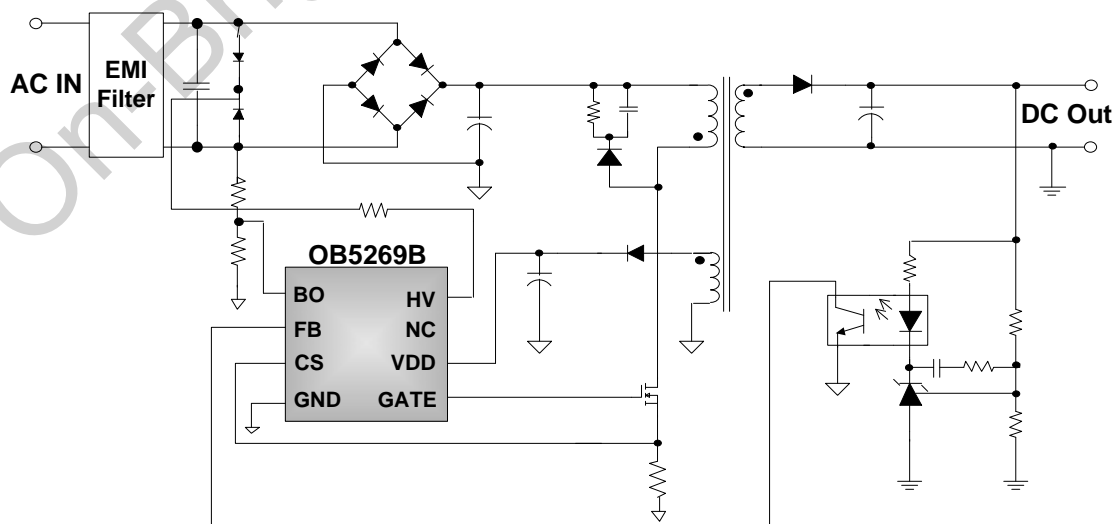
- High Voltage Startup
- Power on Soft Start Reducing MOSFET Vds Stress
- Frequency shuffling for EMI
- Extended Burst Mode Control For Improved Efficiency and Minimum Standby Power
- Audio Noise Free Operation
- Fixed 65KHZ Switching Frequency
- Comprehensive Protection Coverage
 - VDD Under Voltage Lockout with Hysteresis (UVLO)
 - Cycle-by-cycle over current protection (OCP)
 - Overload Protection (OLP) with auto-recovery
 - Brownout Protection with auto-recovery
 - Over Temperature Protection (OTP) with latch shut down
 - VDD Over voltage Protection(OVP) with latch shut down
- Intelligent AC off Detect with X-CAP discharge function (On-Bright patent)

APPLICATIONS

Offline AC/DC flyback converter for

- Battery Charger
- Power Adaptor
- Open-frame SMPS

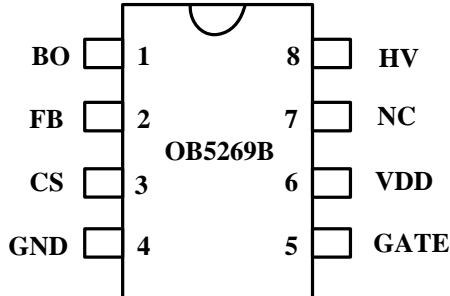
TYPICAL APPLICATION



GENERAL INFORMATION

Pin Configuration

The OB5269B is offered in SOP8 package, shown as below.



Ordering Information

Part Number	Description
OB5269BCP	SOP8, Pb-free
OB5269BCPA	SOP8, Pb-free in Taping

Package Dissipation Rating

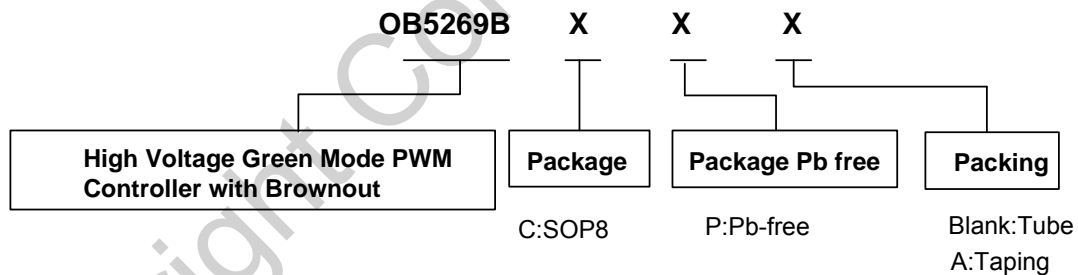
Package	R θ JA(°C/W)
SOP8	150

Absolute Maximum Ratings

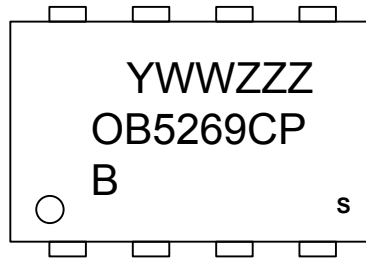
Parameter	Value
VDD DC Supply Voltage	30V
High-Voltage Pin, HV	-0.3 to 500 V
VDD Zener Clamp Voltage ^{Note}	VDD_Clamp+0.1V
VDD DC Clamp Current	10 mA
FB Input Voltage	-0.3 to 7V
CS Input Voltage	-0.3 to 7V
BO Input Voltage	-0.3 to 7V
Min/Max Operating Junction Temperature T _J	-40 to 150 °C
Min/Max Storage Temperature T _{stg}	-55 to 160 °C
Lead Temperature (Soldering, 10secs)	260 °C

Note: VDD_Clamp has a nominal value of 32V.

Stresses beyond those listed under "absolute maximum ratings" may cause permanent damage to the device. These are stress ratings only, functional operation of the device at these or any other conditions beyond those indicated under "recommended operating conditions" is not implied. Exposure to absolute maximum-rated conditions for extended periods may affect device reliability.



Marking Information



Y:Year Code
 WW:Week Code(01-52)
 ZZZ:Lot Code
 C:SOP8 Package
 P:Pb-free Package
 B:Version
 S:Internal Code(Optional)

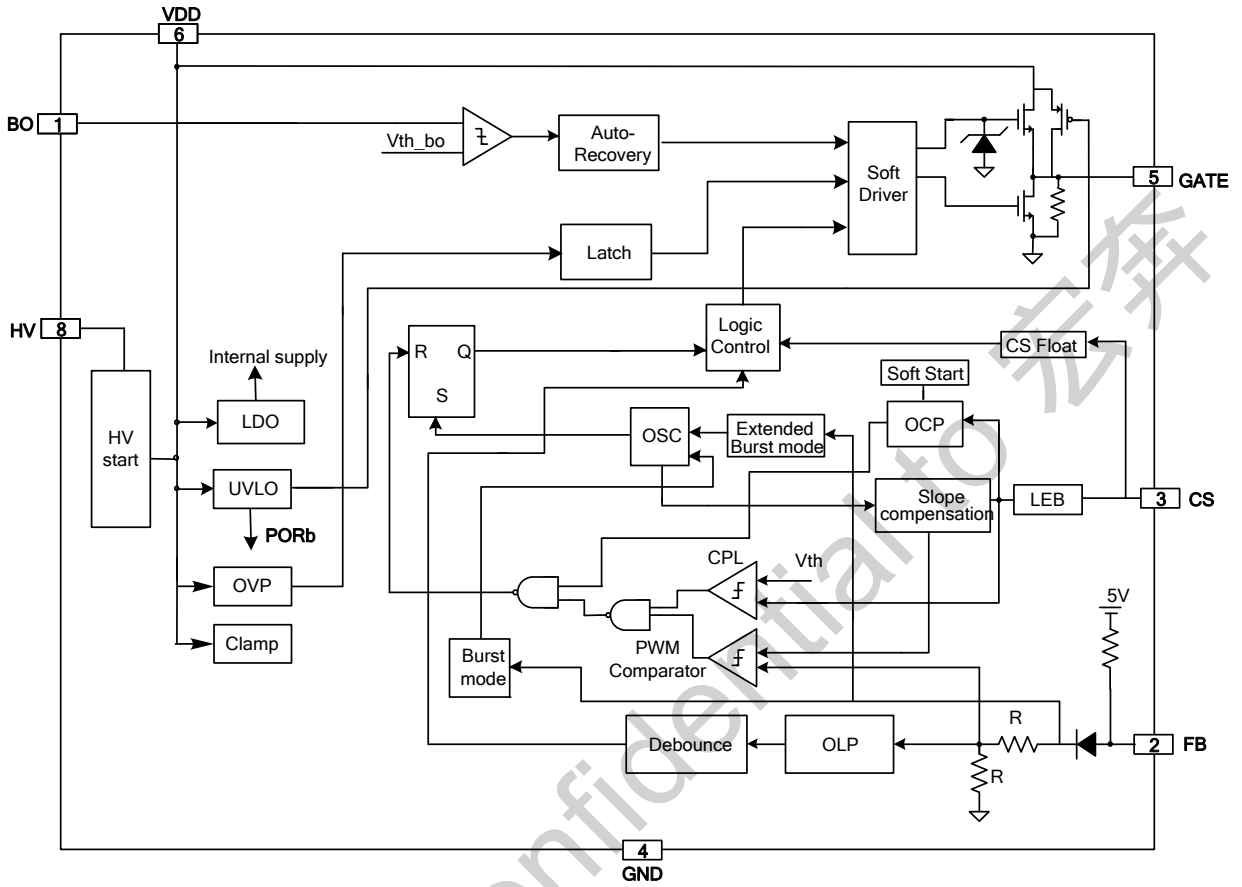
TERMINAL ASSIGNMENTS

Pin Num	Pin Name	I/O	Description
1	BO	I	Connected resistors for brownout protection
2	FB	I	Feedback input pin. The PWM duty cycle is determined by voltage level into this pin and the current-sense signal at CS pin
3	CS	I	Current sense input
4	GND	P	Ground
5	Gate	O	Totem-pole gate driver output for power Mosfet
6	VDD	P	Power Supply
8	HV	P	Connected to the line input or bulk capacitor via resistors for startup

RECOMMENDED OPERATING CONDITION

Symbol	Parameter	Min/Max	Unit
VDD	VDD Supply Voltage	12 to 23.5	V
T _A	Operating Ambient Temperature	-20 to 85	°C

BLOCK DIAGRAM



ELECTRICAL CHARACTERISTICS

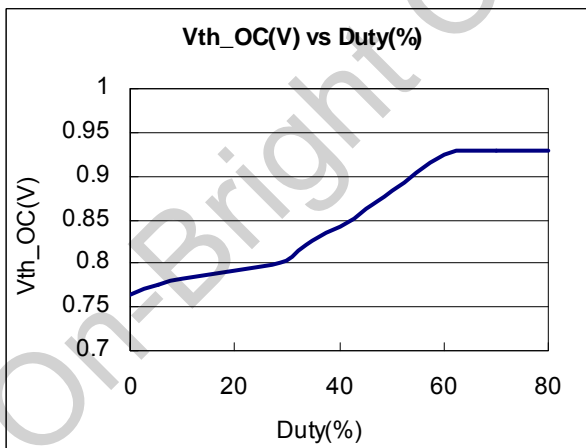
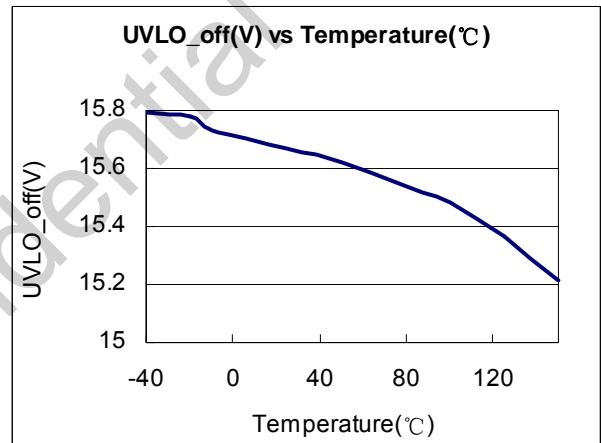
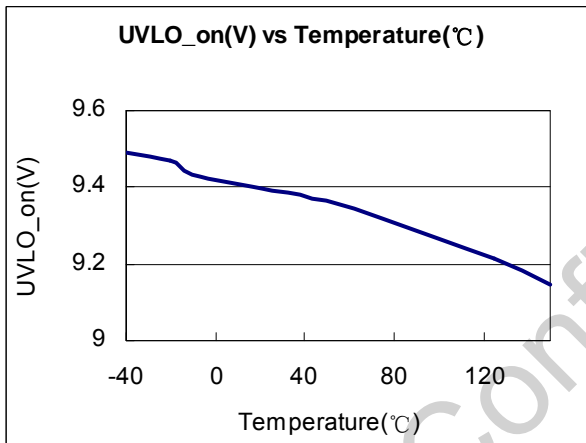
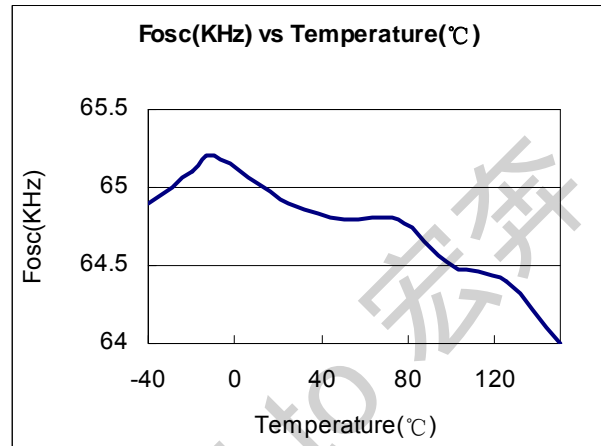
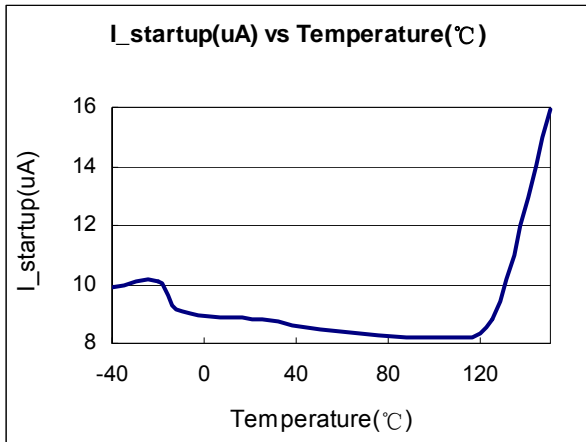
(T_A = 25°C, VDD=15V, unless otherwise noted)

Symbol	Parameter	Test Conditions	Min	Typ.	Max	Unit
IHV	Supply current from HV pin	VDD=2V, HV=100V	1		5	mA
leakage	HV pin leakage current after startup	VDD=18V, HV=500V			10	uA
Supply Voltage (VDD)						
Istartup	VDD Start up Current	VDD=UVLO(OFF)-1V, measure leakage current into VDD		5	20	uA
I_VDD_Operation	Operation Current	V _{FB} =3V		1.8	2.5	mA
UVLO(ON)	VDD Under Voltage Lockout Enter		8.3	9.3	10.3	V
UVLO(OFF)	VDD Under Voltage Lockout Exit (Recovery)		14.3	15.3	16.3	V
Vpull-up	Pull-up PMOS active			12		V
Vdd_clamp		Ivdd=10mA	30	32	34	V
OVP(ON)	Over voltage protection voltage	FB=3V Ramp up VDD until gate clock is off	24	26	28	V
Vth_recovery	Auto release threshold voltage			5		V
Vth_latch	Latch release threshold			4.2		V
Feedback Input Section(FB Pin)						
V _{FB} _Open	V _{FB} Open Loop Voltage		3.9	5		V
Avcs	PWM input gain $\Delta V_{FB} / \Delta V_{CS}$			1.7		V/V
Maximum duty cycle	Max duty cycle @ VDD=14V, VFB=3V, VCS=0.3V		75	80	85	%
Vref_green	The threshold enter green mode			1.8		V
Vref_burst_H	The threshold exit burst mode			1.2		V
Vref_burst_L	The threshold enter burst mode			1.1		V
I _{FB} _Short	FB pin short circuit current	Short FB pin to GND and measure current		200		uA
V _{TH} _PL	Power Limiting FB Threshold Voltage			3.7		V
T _D _PL	Power limiting Debounce Time		80	88	96	ms
Z _{FB} _IN	Input Impedance			25		KΩ
Current Sense Input(CS Pin)						
SST	Soft start time			4		ms
T_blanking	Leading edge blanking time			320		ns
Z _{SENSE} _IN	Input Impedance			40		KΩ
T _D _OC	Over Current Detection and Control Delay	From Over Current Occurs till the gate driver output starts to turn off		60		ns
V _{TH} _OC	Internal Current Limiting Threshold Voltage with zero duty cycle		0.72	0.75	0.78	V
Vocp_clamping	CS voltage clamper			0.95		V
Oscillator						
F _{OSC}	Normal Oscillation Frequency	VDD=15V, FB=3V,	60	65	70	KHz
Δf _{OSC}	Frequency jittering			+/-8		%
F_shuffling	Shuffling frequency			32		Hz
Δf _{Temp}	Frequency Temperature Stability			1		%
Δf _{VDD}	Frequency Voltage Stability			1		%

F_Burst	Burst Mode Switch Frequency			22		KHz
Gate driver						
VOL	Output low level @ VDD=15V, I _o =20mA				1	V
VOH	Output high level @ VDD=15V, I _o =20mA		8			V
V_clamping	Output clamp voltage			15		V
T_r	Output rising time 1V ~ 10V @ CL=1000pF			70		ns
T_f	Output falling time 10V ~ 1V @ CL=1000pF			30		ns
Brownout protection						
Vth_bo_L	Threshold voltage for Brownout		0.77	0.82	0.87	V
Vth_bo_H	Threshold voltage for Brownout release		0.90	0.95	1.00	V
Td_brownout	Brownout debounce time		60		80	ms
On Chip OTP						
OTP Level				150		°C

CHARACTERIZATION PLOTS

VDD = 15V, TA = 25°C condition applies if not otherwise noted.



OPERATION DESCRIPTION

OB5269B is a highly integrated current mode PWM control IC optimized for high performance, low standby power consumption and cost effective offline flyback converter applications. The 'Extended burst mode' control greatly reduces the standby power consumption and helps the design easily to meet the international power conservation requirements.

- Internal High Voltage Startup and Under Voltage Lockout (UVLO)**

OB5269B integrates HV startup circuit, and provides about 2mA current to charge VDD pin during power on state from HV pin. When VDD cap voltage is higher than UVLO(OFF), the charge current is switched off. At this moment, the VDD capacitor provides current to OB5269B until the auxiliary winding of the main transformer starts to provide the operation current.

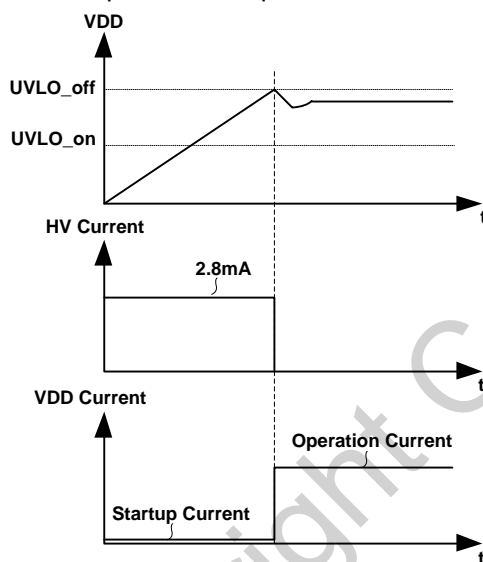


Fig1 Startup current timing

- Operating Current**

The typical operating current of OB5269B is 1.8mA. Good efficiency is achieved with this low operating current together with the 'Extended burst mode' control features.

- Soft Start**

OB5269B features an internal 4ms soft start to soften the electrical stress occurring in the power supply during startup. It is activated during the power on sequence. As soon as VDD reaches UVLO(OFF), the CS peak voltage is gradually increased from 0V to the maximum level. Every restart up begins with a soft start.

- Frequency shuffling for EMI improvement**

The frequency shuffling (switching frequency modulation) is implemented in OB5269B. The oscillation frequency is modulated so that the tone energy is spread out. The spread spectrum minimizes the conduction band EMI and therefore eases the system design.

- Green-Mode Operation**

OB5269B provides green-mode control to reduce the switching frequency in light-load and no-load conditions. V_{FB} , which is derived from the voltage feedback loop, is taken as the reference. Once V_{FB} is lower than the threshold voltage (V_{ref_green}), switching frequency is continuously decreased to the minimum green-mode frequency of around 22KHz.

- Extended Burst Mode Operation**

At light load or zero load condition, most of the power dissipation in a switching mode power supply is from switching loss in the MOSFET, the core loss of the transformer and the loss in the snubber circuit. The magnitude of power loss is in proportion to the switching frequency. Lower switching frequency leads to the reduction on the power loss and thus conserves the energy.

The switching frequency is internally adjusted at no load or light load condition. The switching frequency is reduced at light/no load condition to improve the conversion efficiency. At light load or no load condition, the FB input drops below burst mode threshold voltage ($V_{ref_burst_L}$) and device enters Burst Mode control. The gate driver output switches only when FB voltage is higher than the threshold voltage ($V_{ref_burst_H}$) to output an on state. Otherwise the gate drive remains at off state to minimize the switching loss and reduces the standby power consumption to the greatest extend.

The switching frequency control also eliminates the audio noise at any loading conditions.

- Oscillator Operation**

The switching frequency is internally fixed at 65KHZ. No external frequency setting components are required for PCB design simplification.

- Current Sensing and Leading Edge Blanking**

Cycle-by-Cycle current limiting is offered in OB5269B current mode PWM control. The switching current is detected by a sense resistor connected to the CS pin. An internal leading edge blanking circuit chops off the sensed voltage

spikes due to snubber diode reverse recovery and surge gate current of power MOSFET at initial internal power MOSFET on state. The current limiting comparator is disabled and cannot turn off the internal power MOSFET during the blanking period. The PWM duty cycle is determined by the current sense input voltage and the FB input voltage.

- **Internal Synchronized Slope Compensation**

Built-in slope compensation circuit adds voltage ramp onto the current sense input voltage for PWM generation. This greatly improves the close loop stability at CCM and eliminates the sub-harmonic oscillation and thus reduces the output ripple voltage.

- **Driver**

The power MOSFET is driven by a dedicated gate driver for power switching control. Too weak gate driver results in higher conduction and switch loss of MOSFET while too strong gate driver results the compromise of EMI.

A good tradeoff is achieved through the built-in totem pole gate design with right output strength and dead time control. The low idle loss and good EMI system design is achieved with this dedicated control scheme.

- **Protection Controls**

Good power supply system reliability is achieved with auto-recovery protection features including Cycle-by-Cycle current limiting (OCP), Over Load Protection (OLP), Brownout protection, and Under Voltage Lockout on VDD (UVLO), and latched shutdown features including over temperature protection (OTP) and VDD over voltage protection (OVP).

During Brownout protection, BO pin should add a capacitor for use. The capacitor can be selected by the formula as below:

$$C_{bo} \text{ (pF)} = \frac{K}{R_I \text{ (K}\Omega\text{)}}$$

Typically K=10000, with a range of 2500~20000

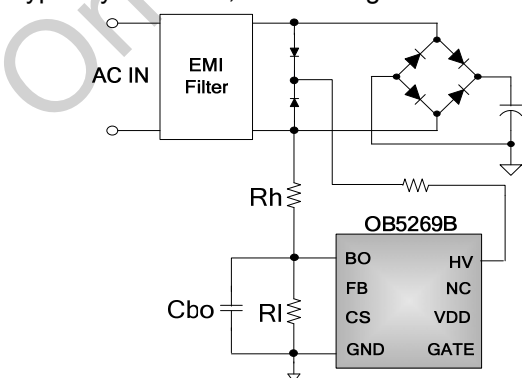


Fig2 Brownout detection

With On-Bright proprietary technology, the OCP is line voltage compensated to achieve constant output power limit over the universal input voltage range.

At overload condition when FB input voltage exceeds power limit threshold value for more than TD_PL, control circuit shuts down the converter. It restarts when VDD voltage drops below Vth_recovery. For protection with latched shut down mode, control circuit shutdowns (latch) the power MOSFET when an Over Temperature condition or Over Voltage condition is detected until VDD drops below Vth_latch, and device enters power on restart-up sequence thereafter.

- **Intelligent AC off Detect with X-CAP discharge function**

The BO pin is also used for AC off detection. Normally the BO pin voltage will cross 0.3V every AC line period. When AC is off, the AC off state can be detected. Then IC will provide a discharge access from HV to GND, the X-CAP can be discharged.

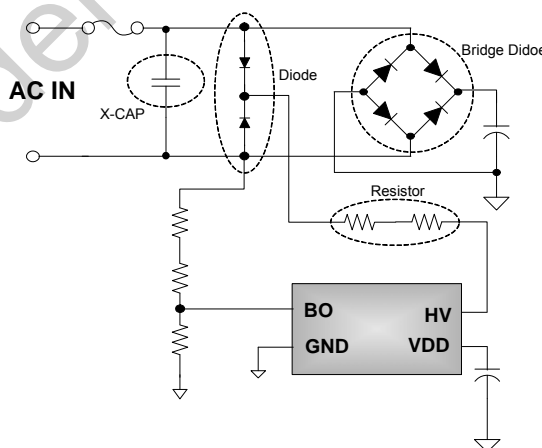


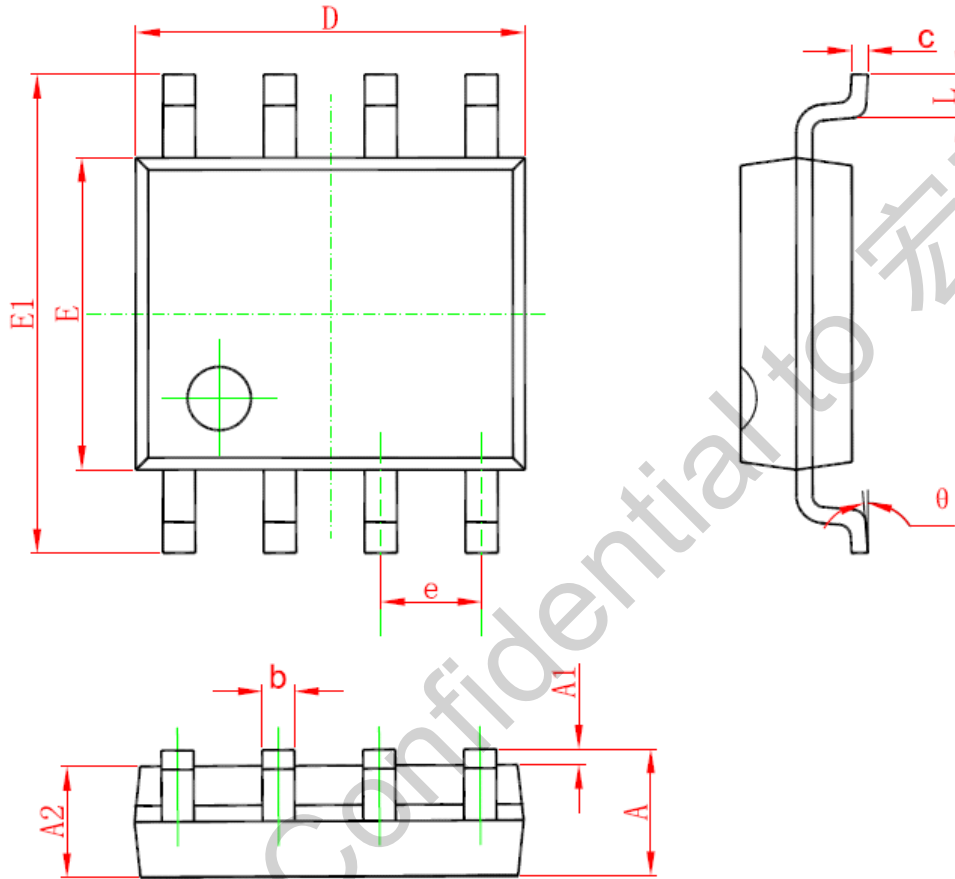
Fig3 X-CAP discharge circuit

Discharge circuit main components selection

Components	Voltage/Current Stress Range
Bridge Diode	≥600V ≥2A
Diode	≥1000V ≥1A
Resistor	R1206(1/4W)×2 Total impedance 20KΩ-112KΩ
X-CAP	0.1uF -2.04uF

PACKAGE MECHANICAL DATA

SOP8 PACKAGE OUTLINE DIMENSIONS



Symbol	Dimensions In Millimeters		Dimensions In Inches	
	Min	Max	Min	Max
A	1.350	1.750	0.053	0.069
A1	0.050	0.250	0.002	0.010
A2	1.250	1.650	0.049	0.065
b	0.310	0.510	0.012	0.020
c	0.170	0.250	0.006	0.010
D	4.700	5.150	0.185	0.203
E	3.800	4.000	0.150	0.157
E1	5.800	6.200	0.228	0.244
e	1.270 (BSC)		0.05 (BSC)	
L	0.400	1.270	0.016	0.050
theta	0°	8°	0°	8°

IMPORTANT NOTICE

RIGHT TO MAKE CHANGES

On-Bright Electronics Corp. reserves the right to make corrections, modifications, enhancements, improvements and other changes to its products and services at any time and to discontinue any product or service without notice. Customers should obtain the latest relevant information before placing orders and should verify that such information is current and complete.

WARRANTY INFORMATION

On-Bright Electronics Corp. warrants performance of its hardware products to the specifications applicable at the time of sale in accordance with its standard warranty. Testing and other quality control techniques are used to the extent it deems necessary to support this warranty. Except where mandated by government requirements, testing of all parameters of each product is not necessarily performed. On-Bright Electronics Corp. assumes no liability for application assistance or customer product design. Customers are responsible for their products and applications using On-Bright's components, data sheet and application notes. To minimize the risks associated with customer products and applications, customers should provide adequate design and operating safeguards.

LIFE SUPPORT

On-Bright Electronics Corp.'s products are not designed to be used as components in devices intended to support or sustain human life. On-bright Electronics Corp. will not be held liable for any damages or claims resulting from the use of its products in medical applications.

MILITARY

On-Bright Electronics Corp.'s products are not designed for use in military applications. On-Bright Electronics Corp. will not be held liable for any damages or claims resulting from the use of its products in military applications.