

LM25119/LM25119-Q1 具有宽输入范围的双路同步降压控制器

1 特性

- LM25119-Q1 符合汽车类应用的要求
- 具有符合 AEC-Q100 的下列结果：
 - 器件温度 1 级：-40°C 至 125°C 的环境运行温度范围
 - 器件人体放电模型 (HBM) 静电放电 (ESD) 分类等级 1C
 - 器件组件充电模型 (CDM) ESD 分类等级 C4A
- 仿真峰值电流模式控制
- 宽工作电压范围：4.5V 至 42V
- 可轻松配置为双路输出或交错单路输出
- 稳健耐用的 3.3A 峰值栅极驱动
- 开关频率最高可通过编程设定为 750kHz
- 可选二极管仿真模式
- 可编程输出（基准电压为 0.8V）
- 精密 1.5% 电压基准
- 可编程电流限制
- 断续模式过载保护
- 可编程软启动
- 可编程线路欠压锁定
- 自动切换至外部偏置电源
- 通道 2 使能逻辑输入
- 热关断
- 32 引脚超薄型四方扁平无引线 (WQFN) 封装

2 应用

- 车用信息娱乐
- 工业 DC-DC 电机驱动器
- 汽车 USB 配件适配器
- 电信：服务器和路由器

3 说明

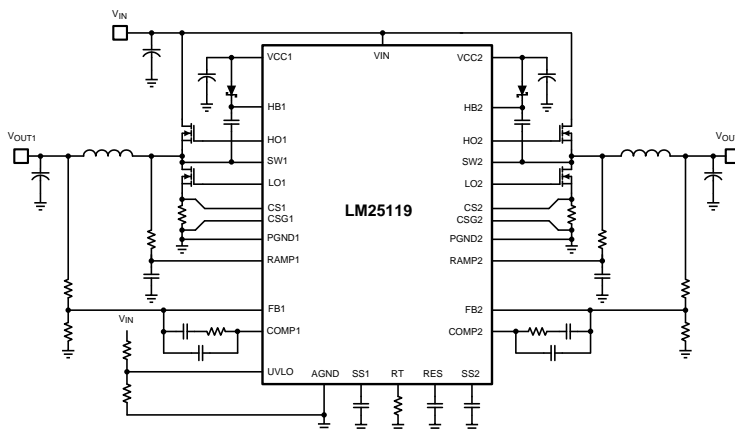
LM25119 器件是一款面向降压稳压器应用的同步降压控制器，可由高电压电源或变化范围较大的输入电源供电运行。此控制方法基于采用仿真电流斜坡的电流模式控制。电流模式控制可提供内部线路前馈、逐周期电流限制和简化的环路补偿。通过使用仿真电流斜坡可降低脉宽调制电路的噪声灵敏度，从而对高输入电压应用中所需的极小占空比进行可靠控制。开关频率可设定在 50kHz 至 750kHz 范围内。LM25119 使用自适应死区时间控制来驱动外部高侧和低侧 NMOS 功率开关。用户可选二极管仿真模式可实现断续模式运行，从而提高轻负载条件下的效率。凭借高压偏置稳压器以及自动切换至外部偏置的功能，可以进一步提高效率。其他功能包括：热关断、频率同步、逐周期和断续模式电流限制以及可调节线路欠压锁定。该器件采用功耗增强型 32 引脚无引线 WQFN 封装，并且配有有利于散热的外露芯片连接焊盘。

器件信息(1)

器件型号	封装	封装尺寸（标称值）
LM25119, LM25119-Q1	WQFN (32)	5.00mm x 5.00mm

(1) 要了解所有可用封装，请见数据表末尾的可订购产品附录。

典型应用电路



Copyright © 2016, Texas Instruments Incorporated



目录

1	特性	1	7.3	Feature Description	13
2	应用	1	7.4	Device Functional Modes	18
3	说明	1	8	Application and Implementation	19
4	修订历史记录	2	8.1	Application Information	19
5	Pin Configuration and Functions	3	8.2	Typical Application	21
6	Specifications	5	9	Power Supply Recommendations	31
6.1	Absolute Maximum Ratings	5	10	Layout	31
6.2	ESD Ratings: LM25119	5	10.1	Layout Guidelines	31
6.3	ESD Ratings: LM25119-Q1	5	10.2	Layout Example	32
6.4	Recommended Operating Conditions	5	11	器件和文档支持	33
6.5	Thermal Information	6	11.1	相关链接	33
6.6	Electrical Characteristics	6	11.2	社区资源	33
6.7	Switching Characteristics	8	11.3	商标	33
6.8	Typical Characteristics	9	11.4	静电放电警告	33
7	Detailed Description	11	11.5	Glossary	33
7.1	Overview	11	12	机械、封装和可订购信息	33
7.2	Functional Block Diagram	12			

4 修订历史记录

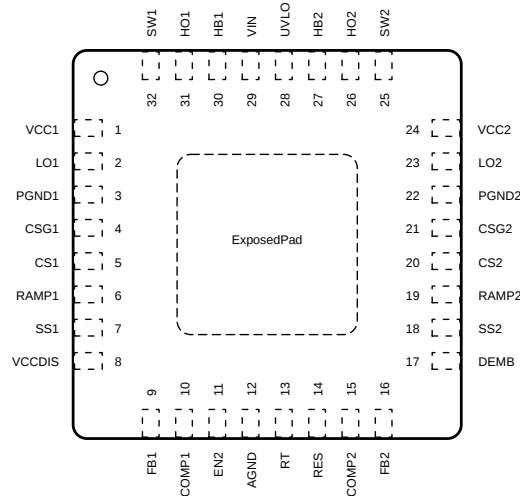
注：之前版本的页码可能与当前版本有所不同。

Changes from Revision G (January 2014) to Revision H	Page
• 已添加 ESD 额定值表，特性 描述部分，器件功能模式，应用和实施部分，电源相关建议部分，布局部分，器件和文档支持部分以及机械、封装和可订购信息部分	1

Changes from Revision F (February 2013) to Revision G	Page
• Changed LLP-32 to WQFN-32	11

5 Pin Configuration and Functions

**RTV Package
32-Pin WQFN
Top View**



Pin Functions

PIN		TYPE ⁽¹⁾	DESCRIPTION
NO.	NAME		
1	VCC1	P	Bias supply pin. Locally decouple to PGND1 using a low ESR or ESL capacitor located as close to controller as possible.
2	LO1	O	Low-side MOSFET gate drive output. Connect to the gate of the channel1 low-side synchronous MOSFET through a short, low inductance path.
3	PGND1	G	Power ground return pin for low-side MOSFET gate driver. Connect directly to the low side of the channel1 current sense resistor.
4	CSG1	I	Kelvin ground connection to the external current sense resistor. Connect directly to the low side of the channel1 current sense resistor.
5	CS1	I	Current sense amplifier input. Connect to the high side of the channel1 current sense resistor.
6	RAMP1	I	PWM ramp signal. An external resistor and capacitor connected between the SW1 pin, the RAMP1 pin and the AGND pin sets the channel1 PWM ramp slope. Proper selection of component values produces a RAMP1 signal that emulates the current in the buck inductor.
7	SS1	I	An external capacitor and an internal 10- μ A current source set the ramp rate of the channel1 error amp reference. The SS1 pin is held low when VCC1 or VCC2 < 4 V, UVLO < 1.25 V or during thermal shutdown.
8	VCCDIS	I	Optional input that disables the internal VCC regulators when external biasing is supplied. If VCCDIS > 1.25 V, the internal VCC regulators are disabled. The externally supplied bias must be coupled to the VCC pins through a diode. VCCDIS has a 500-k Ω pulldown resistor to ground to enable the VCC regulators when the pin is left floating. The pulldown resistor can be overridden by pulling VCCDIS above 1.25 V with a resistor divider connected to the external bias supply.
9	FB1	I	Feedback input and inverting input of the channel1 internal error amplifier. A resistor divider from the channel1 output to this pin sets the output voltage level. The regulation threshold at the FB1 pin is 0.8 V.
10	COMP1	O	Output of the channel1 internal error amplifier. The loop compensation network must be connected between this pin and the FB1 pin.
11	EN2	I	If the EN2 pin is low, channel2 is disabled. Channel1 and all other functions remain active. The EN2 has a 50-k Ω pullup resistor to enable channel2 when the pin is left floating.
12	AGND	G	Analog ground. Return for the internal 0.8-V voltage reference and analog circuits.
13	RT	I	The internal oscillator is set with a single resistor between RT and AGND. The recommended maximum oscillator frequency is 1.5 MHz which corresponds to a maximum switching frequency of 750 kHz for either channel. The internal oscillator can be synchronized to an external clock by coupling a positive pulse into RT through a small coupling capacitor.

(1) G = Ground, I = Input, O = Output, P = Power

Pin Functions (continued)

PIN		TYPE ⁽¹⁾	DESCRIPTION
NO.	NAME		
14	RES	O	The restart timer pin for an external capacitor that configures the hiccup mode current limiting. A capacitor on the RES pin determines the time the controller remains off before automatically restarting in hiccup mode. The two regulator channels operate independently. One channel may operate in normal mode while the other is in hiccup mode overload protection. The hiccup mode commences when either channel experiences 256 consecutive PWM cycles with cycle-by-cycle current limiting. After this occurs, a 10- μ A current source charges the RES pin capacitor to the 1.25-V threshold which restarts the overloaded channel.
15	COMP2	O	Output of the channel2 internal error amplifier. The loop compensation network must be connected between this pin and the FB2 pin.
16	FB2	I	Feedback input and inverting input of the channel2 internal error amplifier. A resistor divider from the channel2 output to this pin sets the output voltage level. The regulation threshold at the FB2 pin is 0.8 V.
17	DEMB	I	Logic input that enables diode emulation when in the low state. In diode emulation mode, the low-side MOSFET is latched off for the remainder of the PWM cycle when the buck inductor current reverses direction (current flow from output to ground). When DEMB is high, diode emulation is disabled allowing current to flow in either direction through the low-side MOSFET. A 50-k Ω pulldown resistor internal to the LM25119 holds DEMB pin low and enables diode emulation if the pin is left floating.
18	SS2	I	An external capacitor and an internal 10- μ A current source set the ramp rate of the channel2 error amp reference. The SS2 pin is held low when VCC1 or VCC2 < 4 V, UVLO < 1.25 V or during thermal shutdown.
19	RAMP2	I	PWM ramp signal. An external resistor and capacitor connected between the SW2 pin, the RAMP2 pin and the AGND pin sets the channel2 PWM ramp slope. Proper selection of component values produces a RAMP2 signal that emulates the current in the buck inductor.
20	CS2	I	Current sense amplifier input. Connect to the high side of the channel2 current sense resistor.
21	CSG2	I	Kelvin ground connection to the external current sense resistor. Connect directly to the low side of the channel2 current sense resistor.
22	PGND2	G	Power ground return pin for low-side MOSFET gate driver. Connect directly to the low side of the channel2 current sense resistor.
23	LO2	O	Low-side MOSFET gate drive output. Connect to the gate of the channel2 low-side synchronous MOSFET through a short, low inductance path.
24	VCC2	P	Bias supply pin. Locally decouple to PGND2 using a low ESR or ESL capacitor located as close to controller as possible.
25	SW2	I/O	Switching node of the buck regulator. Connect to channel2 bootstrap capacitor, the source terminal of the high-side MOSFET and the drain terminal of the low-side MOSFET.
26	HO2	O	High-side MOSFET gate drive output. Connect to the gate of the channel2 high-side MOSFET through a short, low inductance path.
27	HB2	P	High-side driver supply for bootstrap gate drive. Connect to the cathode of the channel2 external bootstrap diode and to the bootstrap capacitor. The bootstrap capacitor supplies current to charge the high-side MOSFET gate and must be placed as close to the controller as possible.
28	UVLO	I	Undervoltage lockout programming pin. If the UVLO pin is below 0.4 V, the regulator is in the shutdown mode with all function disabled. If the UVLO pin is greater than 0.4 V and below 1.25 V, the regulator is in standby mode with the VCC regulators operational, the SS pins grounded and no switching at the HO and LO outputs. If the UVLO pin voltage is above 1.25 V, the SS pins are allowed to ramp and pulse width modulated gate drive signals are delivered at the LO and HO pins. A 20- μ A current source is enabled when UVLO exceeds 1.25 V and flows through the external UVLO resistors to provide hysteresis.
29	VIN	P	Supply voltage input source for the VCC regulators.
30	HB1	P	High-side driver supply for bootstrap gate drive. Connect to the cathode of the channel1 external bootstrap diode and to the bootstrap capacitor. The bootstrap capacitor supplies current to charge the high-side MOSFET gate and must be placed as close to controller as possible.
31	HO1	O	High-side MOSFET gate drive output. Connect to the gate of the channel1 high-side MOSFET through a short, low inductance path.
32	SW1	I/O	Switching node of the buck regulator. Connect to channel1 bootstrap capacitor, the source terminal of the high-side MOSFET and the drain terminal of the low-side MOSFET.
EP	EP	—	Exposed pad of WQFN package. No internal electrical connections. Solder to the ground plane to reduce thermal resistance.

6 Specifications

6.1 Absolute Maximum Ratings

over operating free-air temperature range (unless otherwise noted)⁽¹⁾

	MIN	MAX	UNIT
VIN to AGND	−0.3	45	V
SW1, SW2 to AGND	−3	45	V
HB1 to SW1, HB2 to SW2	−0.3	15	V
VCC1, VCC2 to AGND ⁽²⁾	−0.3	15	V
FB1, FB2, DEMB, RES, VCCDIS, UVLO to AGND	−0.3	15	V
HO1 to SW1, HO2 to SW2	−0.3	HB + 0.3	V
LO1, LO2 to AGND	−0.3	VCC + 0.3	V
SS1, SS2 to AGND	−0.3	7	V
EN2, RT to AGND	−0.3	7	V
CS1, CS2, CSG1, CSG2 to AGND	−0.3	0.3	V
PGND to AGND	−0.3	0.3	V
Junction temperature, T _J		150	°C
Storage temperature, T _{stg}	−55	150	°C

- (1) Stresses beyond those listed under *Absolute Maximum Ratings* may cause permanent damage to the device. These are stress ratings only, which do not imply functional operation of the device at these or any other conditions beyond those indicated under *Recommended Operating Conditions*. Exposure to absolute-maximum-rated conditions for extended periods may affect device reliability.
- (2) These pins must not exceed VIN.

6.2 ESD Ratings: LM25119

		VALUE	UNIT
V _(ESD) Electrostatic discharge	Human-body model (HBM), per ANSI/ESDA/JEDEC JS-001 ⁽¹⁾⁽²⁾	±2000	V
	Charged-device model (CDM), per JEDEC specification JESD22-C101 ⁽³⁾	±750	

- (1) JEDEC document JEP155 states that 500-V HBM allows safe manufacturing with a standard ESD control process.
- (2) The human-body model is a 100-pF capacitor discharged through a 1.5-kΩ resistor into each pin.
- (3) JEDEC document JEP157 states that 250-V CDM allows safe manufacturing with a standard ESD control process.

6.3 ESD Ratings: LM25119-Q1

		VALUE	UNIT
V _(ESD) Electrostatic discharge	Human-body model (HBM), per AEC Q100-002 ⁽¹⁾	±2000	V
	Charged-device model (CDM), per AEC Q100-011	±750	

- (1) AEC Q100-002 indicates that HBM stressing shall be in accordance with the ANSI/ESDA/JEDEC JS-001 specification.

6.4 Recommended Operating Conditions

over operating free-air temperature range (unless otherwise noted)⁽¹⁾

	MIN	MAX	UNIT
VIN	4.5	42	V
VCC	4.5	14	V
HB to SW	4.5	14	V
T _J Junction temperature	−40	125	°C

- (1) COMP1, COMP2, RAMP1, and RAMP2 are output pins. As such they are not specified to have an external voltage applied.

6.5 Thermal Information

THERMAL METRIC ⁽¹⁾		LM25119, LM25119-Q1	
		RTV (WQFN)	
		32 PINS	
R _{θJA}	Junction-to-ambient thermal resistance	36.7	°C/W
R _{θJC(top)}	Junction-to-case (top) thermal resistance	20.9	°C/W
R _{θJB}	Junction-to-board thermal resistance	9	°C/W
ψ _{JT}	Junction-to-top characterization parameter	0.2	°C/W
ψ _{JB}	Junction-to-board characterization parameter	8.9	°C/W
R _{θJC(bot)}	Junction-to-case (bottom) thermal resistance	2.2	°C/W

(1) For more information about traditional and new thermal metrics, see the *Semiconductor and IC Package Thermal Metrics* application report, [SPRA953](#).

6.6 Electrical Characteristics

Typical values correspond to T_J = 25°C. Minimum and maximum limits apply over –40°C to 125°C junction temperature range. V_{IN} = 36 V, V_{CC} = 8 V, V_{CCDIS} = 0 V, EN2 = 5 V, R_T = 25 kΩ, and no load on LO or HO (unless otherwise noted).

PARAMETER		TEST CONDITIONS	MIN ⁽¹⁾	TYP	MAX ⁽¹⁾	UNIT
VIN SUPPLY						
I _{BIAS}	VIN operating current	SS1 = SS2 = 0 V		6	7.3	mA
		V _{CCDIS} = 2 V, SS1 = SS2 = 0 V		340	500	μA
I _{VCC}	VCC1 operating current	V _{CCDIS} = 2 V, SS1 = SS2 = 0 V		3.9	4.5	mA
	VCC2 operating current	V _{CCDIS} = 2 V, SS1 = SS2 = 0 V		1.4	2	mA
I _{SHUTDOWN}	VIN shutdown current	UVLO = 0 V, SS1 = SS2 = 0 V		15	33	μA
VCC REGULATOR⁽²⁾						
V _{CC(REG)}	VCC regulation		6.77	7.6	8.34	V
		VIN = 4.5 V, No external load	4.4	4.46		
	Sourcing current limit	V _{CC} = 0 V	25	40		mA
	V _{CCDIS} switch threshold	V _{CCDIS} rising	1.19	1.25	1.29	V
	V _{CCDIS} switch hysteresis			0.07		V
	V _{CCDIS} input current	V _{CCDIS} = 0 V		–20		nA
	Undervoltage threshold	Positive going V _{CC}	3.8	4	4.2	V
	Undervoltage hysteresis			0.2		V
EN2 INPUT						
V _{IL}	EN2 input low threshold			2	1.5	V
V _{IH}	EN2 input high threshold		2.9	2.5		V
	EN2 input pullup resistor			50		kΩ
UVLO						
	Threshold	UVLO rising	1.2	1.25	1.29	V
	Hysteresis current	UVLO = 1.4 V	15	20	25	μA
	Shutdown threshold			0.4		V
	Shutdown hysteresis voltage			0.1		V
SOFT START						
	Current source	SS = 0 V	7	10	13	μA
	Pulldown R _{DSON}			10		Ω

(1) Minimum and Maximum limits are 100% production tested at 25°C. Limits over the operating temperature range are specified through correlation using Statistical Quality Control (SQC) methods. Limits are used to calculate Texas Instrument's Average Outgoing Quality Level (AOQL).

(2) Per VCC Regulator.

Electrical Characteristics (continued)

Typical values correspond to $T_J = 25^\circ\text{C}$. Minimum and maximum limits apply over -40°C to 125°C junction temperature range. $V_{IN} = 36\text{ V}$, $V_{CC} = 8\text{ V}$, $V_{CCDIS} = 0\text{ V}$, $EN2 = 5\text{ V}$, $R_T = 25\text{ k}\Omega$, and no load on LO or HO (unless otherwise noted).

PARAMETER		TEST CONDITIONS	MIN ⁽¹⁾	TYP	MAX ⁽¹⁾	UNIT
ERROR AMPLIFIER						
V_{REF}	FB reference voltage	Measured at FB pin, FB = COMP	0.788	0.8	0.812	V
	FB input bias current	FB = 0.8 V		1		nA
	FB disable threshold	Interleaved threshold		2.5		V
	COMP VOH	Is _{source} = 3 mA	2.8			V
	COMP VOL	Is _{sink} = 3 mA			0.31	V
A_{OL}	DC gain			80		dB
f_{BW}	Unity gain bandwidth			3		MHz
PWM COMPARATORS						
$t_{HO(OFF)}$	Forced HO OFF-time		220	320	430	ns
$t_{ON(min)}$	Minimum HO ON-time	$C_{RAMP} = 50\text{ pF}$		100		ns
OSCILLATOR						
f_{SW1}	Frequency 1	$R_T = 25\text{ k}\Omega$	180	200	220	kHz
f_{SW2}	Frequency 2	$R_T = 10\text{ k}\Omega$	430	480	530	kHz
	RT output voltage			1.25		V
	RT sync positive threshold	$T_J = 25^\circ\text{C}$	2.5	3.2	4	V
	Sync pulse minimum width		100			ns
CURRENT LIMIT						
$V_{CS(TH)}$	Cycle-by-cycle sense voltage threshold (CS – CSG)	RAMP = 0	106	120	134	mV
	CS bias current	CS = 0 V		-70	-95	μA
	Hiccup mode fault timer			256		Cycles
RES						
I_{RES}	Current source			9.7		μA
V_{RES}	Threshold	C_{RES} charging	1.2	1.25	1.3	V
DIODE EMULATION						
V_{IL}	DEMB input low threshold			2	1.65	V
V_{IH}	DEMB input high threshold		2.9	2.6		V
	DEMB input pulldown resistance			50		k Ω
	SW zero cross threshold			-5		mV
LO GATE DRIVER						
V_{OLL}	LO low-state output voltage	$I_{LO} = 100\text{ mA}$		0.1	0.18	V
V_{OHL}	LO high-state output voltage	$I_{LO} = -100\text{ mA}$, $V_{OHL} = V_{CC} - V_{LO}$		0.17	0.26	V
	LO rise time	C-load = 1000 pF		6		ns
	LO fall time	C-load = 1000 pF		5		ns
I_{OHL}	Peak LO source current	$V_{LO} = 0\text{ V}$		2.5		A
I_{OLL}	Peak LO sink current	$V_{LO} = V_{CC}$		3.3		A
HO GATE DRIVER						
V_{OLH}	HO low-state output voltage	$I_{HO} = 100\text{ mA}$		0.11	0.19	V
V_{OHH}	HO high-state output voltage	$I_{HO} = -100\text{ mA}$, $V_{OHH} = V_{HB} - V_{HO}$		0.18	0.27	V
	HO rise time	C-load = 1000 pF		6		ns
	HO fall time	C-load = 1000 pF		5		ns
I_{OHH}	Peak HO Source current	$V_{HO} = 0\text{ V}$, SW = 0, HB = 8 V		2.2		A
I_{OLH}	Peak HO sink current	$V_{HO} = V_{HB} = 8\text{ V}$		3.3		A
	HB to SW undervoltage			3		V

Electrical Characteristics (continued)

Typical values correspond to $T_J = 25^\circ\text{C}$. Minimum and maximum limits apply over -40°C to 125°C junction temperature range. $V_{IN} = 36\text{ V}$, $V_{CC} = 8\text{ V}$, $V_{CCDIS} = 0\text{ V}$, $EN2 = 5\text{ V}$, $R_T = 25\text{ k}\Omega$, and no load on LO or HO (unless otherwise noted).

PARAMETER		TEST CONDITIONS	MIN ⁽¹⁾	TYP	MAX ⁽¹⁾	UNIT
HB DC bias current		HB – SW = 8 V		70	100	μA
THERMAL						
T_{SD}	Thermal shutdown	Rising		165		$^\circ\text{C}$
	Thermal shutdown hysteresis			25		$^\circ\text{C}$

6.7 Switching Characteristics

Typical values correspond to $T_J = 25^\circ\text{C}$. Minimum and maximum limits apply over -40°C to 125°C junction temperature range. $V_{IN} = 36\text{ V}$, $V_{CC} = 8\text{ V}$, $V_{CCDIS} = 0\text{ V}$, $EN2 = 5\text{ V}$, $R_T = 25\text{ k}\Omega$, and no load on LO or HO (unless otherwise noted).

PARAMETER	TEST CONDITIONS	MIN	TYP	MAX	UNIT
LO fall to HO rise delay	No load		70		ns
HO fall to LO rise delay	No load		60		ns

6.8 Typical Characteristics

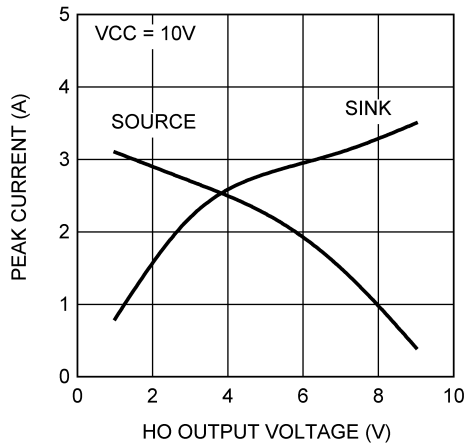


Figure 1. HO Peak Driver Current vs Output Voltage

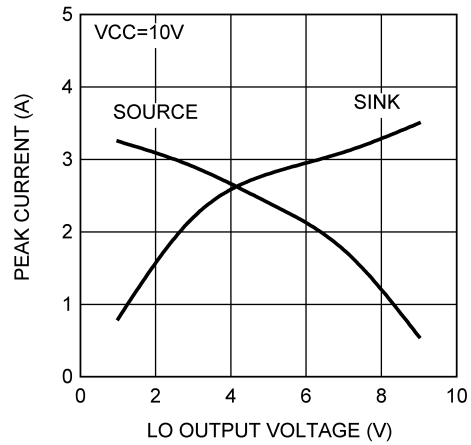


Figure 2. LO Peak Driver Current vs Output Voltage

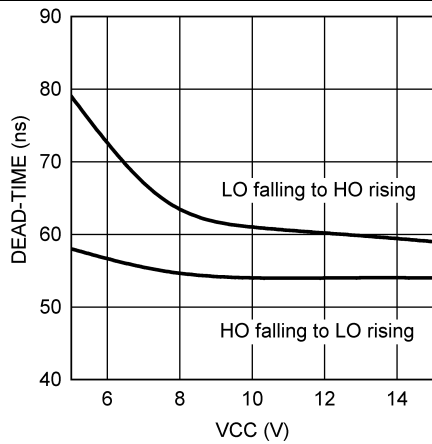


Figure 3. Driver Dead Time vs VCC

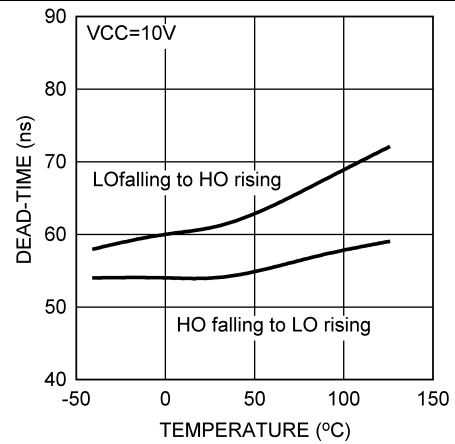


Figure 4. Driver Dead Time vs Temperature

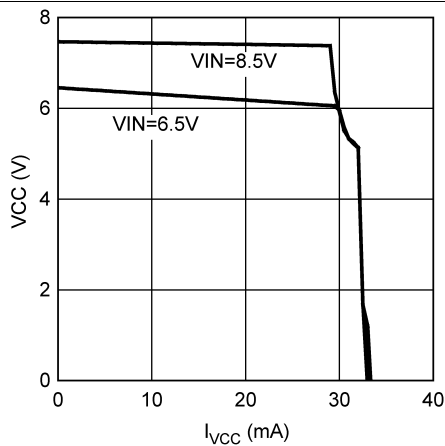


Figure 5. VCC vs I_{VCC}

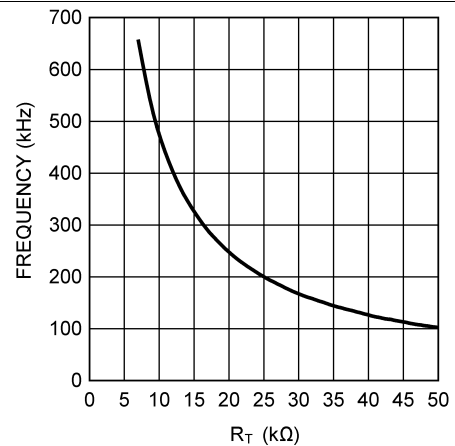
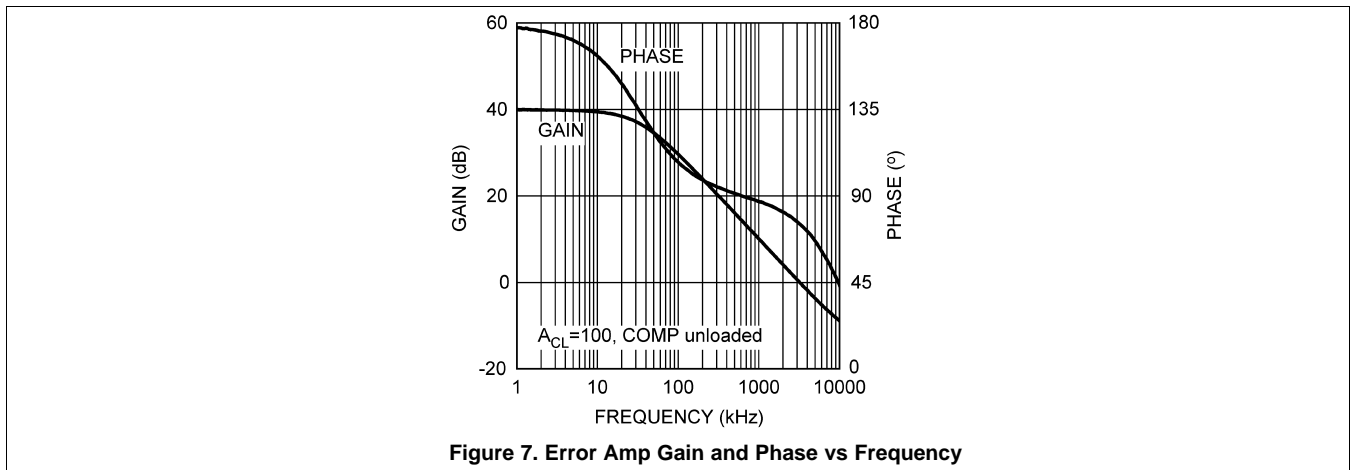


Figure 6. Switching Frequency vs R_T

Typical Characteristics (continued)

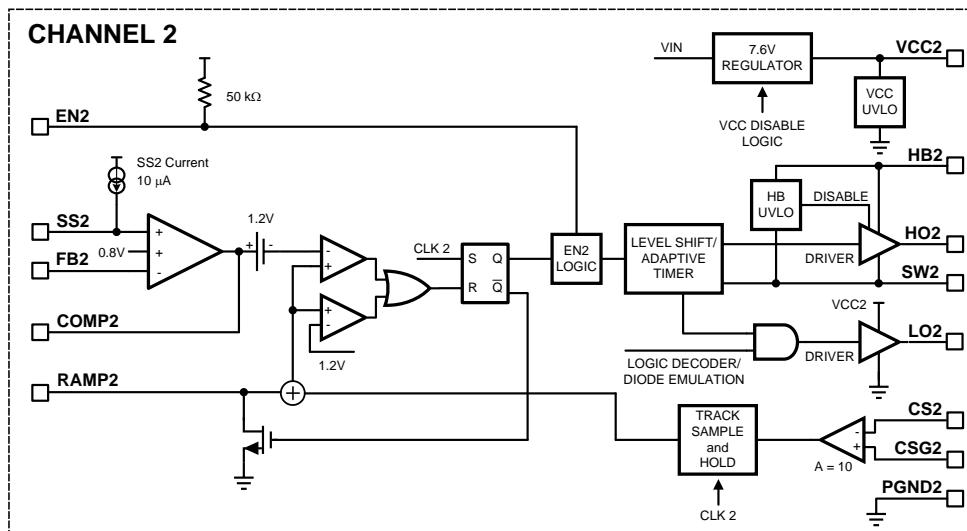
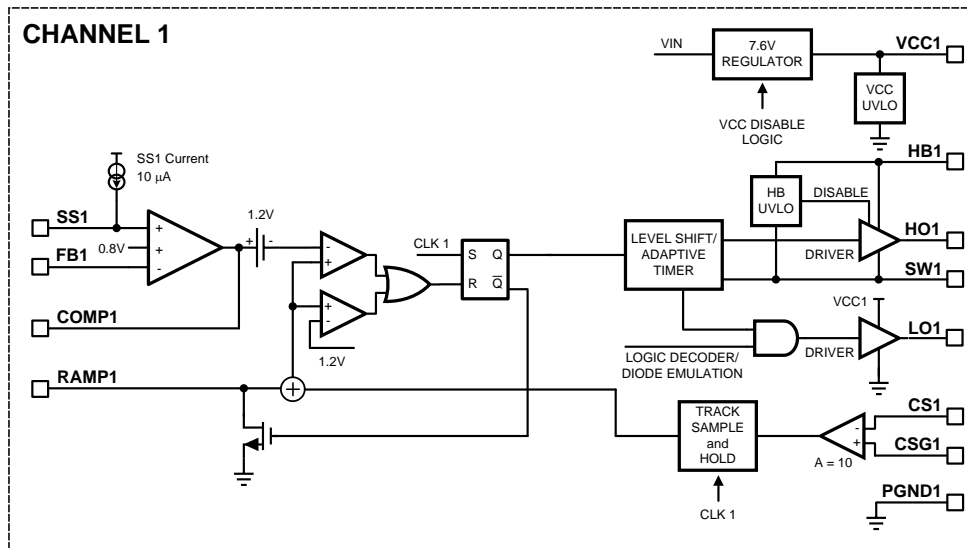
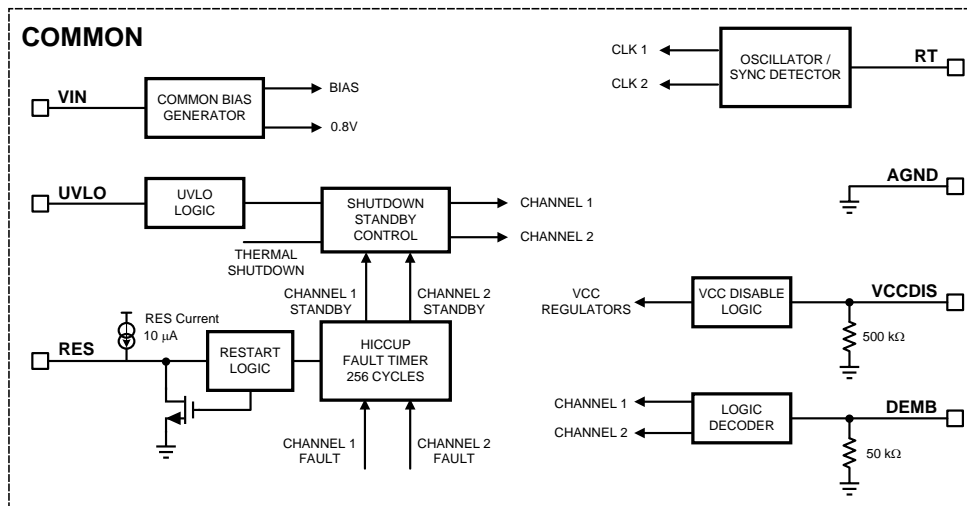


7 Detailed Description

7.1 Overview

The LM25119 high voltage switching regulator features all of the functions necessary to implement an efficient dual-channel buck regulator that operates over a very wide input voltage range. The LM25119 may be configured as two independent regulators or as a single high-current regulator with two interleaved channels. This easy-to-use regulator integrates high-side and low-side MOSFET drivers capable of supplying peak currents of 2.5 A ($V_{CC} = 8\text{ V}$). The regulator control method is based on current mode control using an emulated current ramp. Emulated peak current mode control provides inherent line feedforward, cycle-by-cycle current limiting and ease-of-loop compensation. The use of an emulated control ramp reduces noise sensitivity of the pulse-width modulation circuit, allowing reliable processing of the very small duty cycles necessary in high input voltage applications. The switching frequency is user programmable from 50 kHz to 750 kHz. An oscillator or synchronization pin allows the operating frequency to be set by a single resistor or synchronized to an external clock. An undervoltage lockout and channel2 enable pin allows either both regulators to be disabled or channel2 to be disabled with full operation of channel1. Fault protection features include current limiting, thermal shutdown and remote shutdown capability. The undervoltage lockout input enables both channels when the input voltage reaches a user selected threshold and provides a very low quiescent shutdown current when pulled low. The 32-pin WQFN package features an exposed pad to aid in thermal dissipation.

7.2 Functional Block Diagram



7.3 Feature Description

7.3.1 High Voltage Start-Up Regulator

The LM25119 contains two internal high voltage bias regulators, VCC1 and VCC2, that provide the bias supply for the PWM controllers and gate drive for the MOSFETs of each regulator channel. The input pin (VIN) can be connected directly to an input voltage source as high as 42 V. The outputs of the VCC regulators are set to 7.6 V. When the input voltage is below the VCC set-point level, the VCC output tracks the VIN with a small dropout voltage. If VCC1 is in an undervoltage condition, channel2 is disabled. This interdependence is necessary to prevent channel2 from running open-loop in the single output interleaved mode when the channel2 error amplifier is disabled (if either VCC is in UV, both channels are disabled).

The outputs of the VCC regulators are current limited at 25-mA (minimum) output capability. Upon power up, the regulators source current into the capacitors connected to the VCC pins. When the voltage at the VCC pins exceed 4 V and the UVLO pin is greater than 1.25 V, both channels are enabled and a soft-start sequence begins. Both channels remain enabled until either VCC pin falls below 3.8 V, the UVLO pin falls below 1.25 V or the die temperature exceeds the thermal limit threshold.

When operating at higher input voltages the bias power dissipation within the controller can be excessive. An output voltage derived bias supply can be applied to a VCC pins to reduce the IC power dissipation. The VCCDIS input can be used to disable the internal VCC regulators when external biasing is supplied. If VCCDIS > 1.25 V, the internal VCC regulators are disabled. The externally supplied bias must be coupled to the VCC pins through a diode, preferably a Schottky (low forward voltage). VCCDIS has a 500-k Ω internal pulldown resistance to ground for normal operation with no external bias. The internal pulldown resistance can be overridden by pulling VCCDIS above 1.25 V through a resistor divider connected to an external bias supply.

The VCC regulator series pass transistor includes a diode between VCC and VIN that must not be forward-biased in normal operation.

If the external bias winding can supply VCC greater than VIN, an external blocking diode is required from the input power supply to the VIN pin to prevent the external bias supply from passing current to the input supply through the VCC pins. For VOUT between 5 V and 14.5 V, VOUT can be connected directly to VCC through a diode. For VOUT < 5 V, a bias winding on the output inductor can be added as shown in [Figure 8](#).

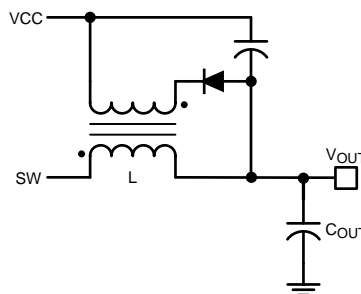


Figure 8. VCC Bias Supply With Additional Inductor Winding

In high voltage applications, take extra care to ensure the VIN pin does not exceed the absolute maximum voltage rating of 45 V. During line or load transients, voltage ringing on the VIN line that exceeds the absolute maximum rating can damage the IC. Both careful PCB layout and the use of quality bypass capacitors located close to the VIN and AGND pins are essential.

7.3.2 UVLO

The LM25119 contains a dual-level undervoltage lockout (UVLO) circuit. When the UVLO pin is less than 0.4 V, the LM25119 is in shutdown mode. The shutdown comparator provides 100 mV of hysteresis to avoid chatter during transitions. When the UVLO pin voltage is greater than 0.4 V but less than 1.25 V, the controller is in standby mode. In the standby mode the VCC bias regulators are active but the controller outputs are disabled. This feature allows the UVLO pin to be used as a remote enable or disable function. When the VCC outputs exceed their respective undervoltage thresholds (4 V) and the UVLO pin voltage is greater than 1.25 V, the outputs are enabled and normal operation begins.

Feature Description (continued)

An external set-point voltage divider from the VIN to GND is used to set the minimum VIN operating voltage of the regulator. The divider must be designed such that the voltage at the UVLO pin is greater than 1.25 V when the input voltage is in the desired operating range. UVLO hysteresis is accomplished with an internal 20- μ A current source that is switched on or off into the impedance of the set-point divider. When the UVLO pin voltage exceeds 1.25-V threshold, the current source is activated to quickly raise the voltage at the UVLO pin. When the UVLO pin voltage falls below the 1.25-V threshold, the current source is turned off causing the voltage at the UVLO pin to quickly fall. The UVLO pin must not be left floating.

7.3.3 Enable 2

The LM25119 contains an enable function allowing shutdown control of channel2, independent of channel1. If the EN2 pin is pulled below 2 V, channel2 enters shutdown mode. If the EN2 input is greater than 2.5 V, channel2 returns to normal operation. An internal 50-k Ω pullup resistor on the EN2 pin allows this pin to be left floating for normal operation. The EN2 input can be used in conjunction with the UVLO pin to sequence the two regulator channels. If EN2 is held low as the UVLO pin increases to a voltage greater than the 1.25-V UVLO threshold, channel1 begins operation while channel2 remains off. Both channels become operational when the UVLO, EN2, VCC1, and VCC2 pins are above their respective operating thresholds. Either channel of the LM25119 can also be disabled independently by pulling the corresponding SS pin to AGND.

7.3.4 Oscillator and Sync Capability

The LM25119 switching frequency is set by a single external resistor connected between the RT pin and the AGND pin (R_T). The resistor must be located very close to the device and connected directly to the pins of the IC (RT and AGND). To set a desired switching frequency (f_{SW}) of each channel, the resistor can be calculated with Equation 1.

$$R_T = \frac{5.2 \times 10^9}{f_{SW}} - 948$$

where

- R_T is in ohms (Ω)
 - f_{SW} is in hertz (Hz)
- (1)

The frequency f_{SW} is the output switching frequency of each channel. The internal oscillator runs at twice the switching frequency and an internal frequency divider interleaves the two channels with 180° phase shift between PWM pulses at the HO pins.

The RT pin can be used to synchronize the internal oscillator to an external clock. The internal oscillator can be synchronized by AC coupling a positive edge into the RT pin. The voltage at the RT pin is nominally 1.25 V and the voltage at the RT pin must exceed 4 V to trip the internal synchronization pulse detector. A 5-V amplitude signal and 100-pF coupling capacitor are recommended. Synchronizing at greater than twice the free-running frequency may result in abnormal behavior of the pulse width modulator. Also, note that the output switching frequency of each channel is one-half the applied synchronization frequency.

7.3.5 Error Amplifiers and PWM Comparators

Each of the two internal high-gain error amplifiers generates an error signal proportional to the difference between the regulated output voltage and an internal precision reference (0.8 V). The output of each error amplifier is connected to the COMP pin allowing the user to provide loop compensation components. Generally a Type II network is recommended. This network creates a pole at 0 Hz, a mid-band zero, and a noise-reducing, high-frequency pole. The PWM comparator compares the emulated current sense signal from the RAMP generator to the error amplifier output voltage at the COMP pin. Only one error amplifier is required when configuring the controller as a two channel, single output interleaved regulator. For these applications, the channel1 error amplifier (FB1, COMP1) is configured as the master error amplifier. The channel2 error amplifier must be disabled by connecting the FB2 pin to the VCC2 pin. When configured in this manner the output of the channel2 error amplifier (COMP2) is disabled and have a high output impedance. To complete the interleaved configuration, the COMP1 and the COMP2 pins must be connected together to facilitate PWM control of channel2 and current sharing between channels.

Feature Description (continued)

7.3.6 Ramp Generator

The ramp signal used in the pulse width modulator for current mode control is typically derived directly from the buck switch current. This switch current corresponds to the positive slope portion of the inductor current. Using this signal for the PWM ramp simplifies the control loop transfer function to a single pole response and provides inherent input voltage feedforward compensation. The disadvantage of using the buck switch current signal for PWM control is the large leading edge spike due to circuit parasitics that must be filtered or blanked. Also, the current measurement may introduce significant propagation delays. The filtering, blanking time, and propagation delay limit the minimum achievable pulse width. In applications where the input voltage may be relatively large in comparison to the output voltage, controlling small pulse widths and duty cycles are necessary for regulation. The LM25119 uses a unique ramp generator which does not actually measure the buck switch current but rather reconstructs the signal. Representing or emulating the inductor current provides a ramp signal to the PWM comparator that is free of leading edge spikes and measurement or filtering delays. The current reconstruction is comprised of two elements; a sample-and-hold DC level and the emulated inductor current ramp as shown in Figure 9.

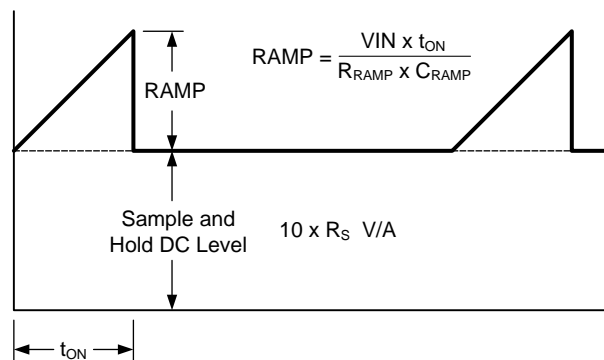


Figure 9. Composition of Current Sense Signal

The sample-and-hold DC level is derived from a measurement of the recirculating current flowing through the current sense resistor. The voltage across the sense resistor is sampled and held just prior to the onset of the next conduction interval of the buck switch. The current sensing and sample-and-hold provide the DC level of the reconstructed current signal. The positive slope inductor current ramp is emulated by an external capacitor connected from RAMP pin to AGND and a series resistor connected between SW and RAMP. The ramp resistor must not be connected to VIN directly because the RAMP pin voltage rating could be exceeded under high VIN conditions. The ramp created by the external resistor and capacitor has a slope proportional to the rising inductor current plus some additional slope required for slope compensation. Connecting the RAMP pin resistor to SW provides optimum slope compensation with a RAMP capacitor slope that is proportional to VIN. This *adaptive slope compensation* eliminates the requirement for additional slope compensation circuitry with high output voltage set points and frees the user from additional concerns in this area. The emulated ramp signal is approximately linear and the ramp slope is given in Equation 2.

$$\frac{dV_{RAMP}}{dt} = \frac{10 \times K \times V_{IN} \times R_S}{L} \quad (2)$$

The factor of 10 Equation 2 corresponds to the internal current sense amplifier gain of the LM25119. The K factor is a constant which adds additional slope for robust pulse-width modulation control at lower input voltages. In practice this constant can be varied from 1 to 3. R_S is the external sense resistor value.

The voltage on the ramp capacitor is given with Equation 3 and Equation 4.

$$V_{RAMP} = V_{IN} \times \left(1 - e^{-\frac{t_{PERIOD}}{R_{RAMP} \times C_{RAMP}}} \right) \quad (3)$$

$$V_{RAMP} \approx \frac{V_{IN} \times t_{PERIOD}}{R_{RAMP} \times C_{RAMP}} \quad (4)$$

The approximation is the first order term in a Taylor Series expansion of the exponential and is valid because t_{PERIOD} is small relative to the RAMP pin R-C time constant.

Feature Description (continued)

Multiplying Equation 2 by t_{PERIOD} to convert the slope to a peak voltage, and then equating Equation 2 with Equation 4 allows us to solve for C_{RAMP} using Equation 5.

$$C_{\text{RAMP}} = \frac{L}{10 \times R_{\text{S}} \times K \times R_{\text{RAMP}}} \quad (5)$$

Choose either C_{RAMP} or R_{RAMP} and use Equation 5 to calculate the other component.

The difference between the average inductor current and the DC value of the sampled inductor current can cause instability for certain operating conditions. This instability is known as sub-harmonic oscillation, which occurs when the inductor ripple current does not return to its initial value by the start of next switching cycle. Sub-harmonic oscillation is normally characterized by alternating wide and narrow pulses at the switch node. The ramp equation above contains the optimum amount of slope compensation, however extra slope compensation is easily added by selecting a lower value for R_{RAMP} or C_{RAMP} .

7.3.7 Current Limit

The LM25119 contains a current limit monitoring scheme to protect the regulator from possible overcurrent conditions. When set correctly, the emulated current signal is proportional to the buck switch current with a scale factor determined by the current limit sense resistor, R_{S} , and current sense amplifier gain. The emulated signal is applied to the current limit comparator. If the emulated ramp signal exceeds 1.2 V, the present cycle is terminated (cycle-by-cycle current limiting). Shown in Figure 10 is the current limit comparator and a simplified current measurement schematic. In applications with small output inductance and high input voltage, the switch current may overshoot due to the propagation delay of the current limit comparator. If an overshoot must occur, the sample-and-hold circuit detects the excess recirculating current before the buck switch is turned on again. If the sample-and-hold DC level exceeds the internal current limit threshold, the buck switch is disabled and skip pulses until the current has decayed below the current limit threshold. This approach prevents current runaway conditions due to propagation delays or inductor saturation because the inductor current is forced to decay to a controlled level following any current overshoot.

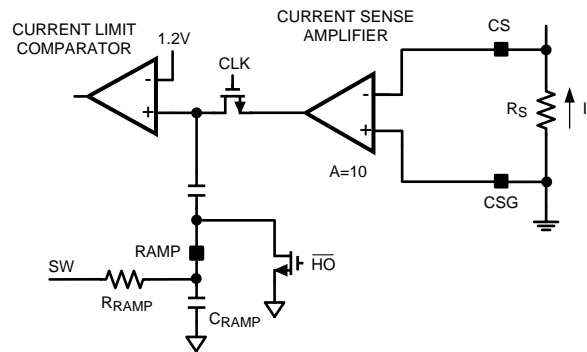


Figure 10. Current Limit and Ramp Circuit

7.3.8 Hiccup Mode Current Limiting

To further protect the regulator during prolonged current limit conditions, an internal counter counts the PWM clock cycles during which cycle-by-cycle current limiting occurs. When the counter detects 256 consecutive cycles of current limiting, the regulator enters a low power dissipation hiccup mode with the HO and LO outputs disabled. The restart timer pin, RES, and an external capacitor configure the hiccup mode current limiting. A capacitor on the RES pin (C_{RES}) determines the time the controller remains in low power standby mode before automatically restarting. A 10- μA current source charges the RES pin capacitor to the 1.25-V threshold which restarts the overloaded channel. The two regulator channels operate independently. One channel may operate normally while the other is in the hiccup mode overload protection. The hiccup mode commences when either channel experiences 256 consecutive PWM cycles with cycle-by-cycle current limiting. If that occurs, the overloaded channel turns off and remains off for the duration of the RES pin timer.

The hiccup mode current-limiting function can be disabled. The RES configuration is latched during initial power up when UVLO is above 1.25 V and VCC1 and VCC2 are above their UV thresholds, determining hiccup or non-hiccup current limiting. If the RES pin is tied to VCC at initial power on, hiccup current limit is disabled.

Feature Description (continued)

7.3.9 Soft Start

The soft-start feature allows the regulator to gradually reach the steady-state operating point, thus reducing start-up stresses and surges. The LM25119 regulates the FB pin to the SS pin voltage or the internal 0.8-V reference, whichever is lower. At the beginning of the soft-start sequence when SS = 0 V, the internal 10- μ A soft-start current source gradually increases the voltage on an external soft-start capacitor (C_{SS}) connected to the SS pin resulting in a gradual rise of the FB and output voltages.

Either regulator channel of the LM25119 can be disabled by pulling the corresponding SS pin to AGND.

7.3.10 HO and LO Output Drivers

The LM25119 contains a high-current, high-side driver and associated high voltage level shift to drive the buck switch of each regulator channel. This gate driver circuit works in conjunction with an external diode and bootstrap capacitor. A 0.1 μ F or larger ceramic capacitor, connected with short traces between the HB pin and SW pin, is recommended. During the OFF-time of the high-side MOSFET, the SW pin voltage is approximately 0 V and the bootstrap capacitor charges from VCC through the external bootstrap diode. When operating with a high PWM duty cycle, the buck switch is forced off each cycle for 320 ns to ensure that the bootstrap capacitor is recharged.

The LO and HO outputs are controlled with an adaptive dead-time methodology which insures that both outputs are never enabled at the same time. When the controller commands HO to be enabled, the adaptive dead-time logic first disables LO and waits for the LO voltage to drop. HO is then enabled after a small delay. Similarly, the LO turnon is disabled until the HO voltage has discharged. This methodology insures adequate dead-time for any size MOSFET.

Exercise care in selecting an output MOSFET with the appropriate threshold voltage, especially if VCC is supplied from the regulator output. During start-up at low input voltages the MOSFET threshold must be lower than the 4-V VCC undervoltage lockout threshold. Otherwise, there may be insufficient VCC voltage to completely turn on the MOSFET as VCC undervoltage lockout is released during start-up. If the buck switch MOSFET gate drive is not sufficient, the regulator may not start or it may hang up momentarily in a high power dissipation state. This condition can be avoided by selecting a MOSFET with a lower threshold voltage or if VCC is supplied from an external source higher than the output voltage. If the minimum input voltage programmed by the UVLO pin resistor divider is above the VCC regulation level, this precaution is of no concern.

7.3.11 Maximum Duty Cycle

When operating with a high PWM duty cycle, the buck switch is forced off each cycle for 320 ns to ensure the bootstrap capacitor is recharged and to allow time to sample and hold the current in the low-side MOSFET. This forced OFF-time limits the maximum duty cycle of the controller. When designing a regulator with high switching frequency and high duty cycle requirements, make sure to check the required maximum duty cycle (including losses) against the graph shown in [Figure 11](#).

The actual maximum duty cycle varies with the operating frequency in [Equation 6](#).

$$D_{MAX} = 1 - f_{SW} \times 320 \times 10^{-9} \quad (6)$$

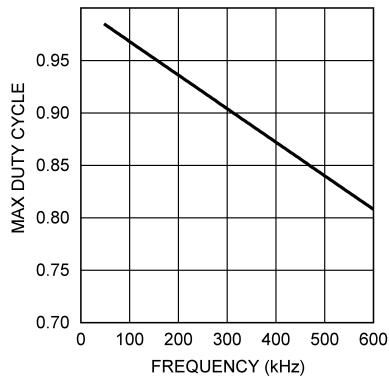
Feature Description (continued)


Figure 11. Maximum Duty Cycle vs Switching Frequency

7.3.12 Thermal Protection

Internal thermal shutdown circuitry is provided to protect the integrated circuit in the event the maximum junction temperature is exceeded. When activated, typically at 165°C, the controller is forced into a low-power reset state, disabling the output driver and the VCC bias regulators. This feature is designed to prevent catastrophic failures from overheating and destroying the device.

7.4 Device Functional Modes
7.4.1 Diode Emulation

A fully synchronous buck regulator implemented with a free-wheel MOSFET rather than a diode has the capability to sink current from the output in certain conditions such as light load, overvoltage, or prebias start-up. The LM25119 provides a diode emulation feature that can be enabled to prevent reverse (drain to source) current flow in the low-side, free-wheel MOSFET. When configured for diode emulation, the low-side MOSFET is disabled when reverse current flow is detected. The benefit of this configuration is lower power loss at no load or light load conditions and the ability to turn on into a prebiased output without discharging the output. The diode emulation mode allows for start-up into prebiased loads, because it prevents reverse current flow as the soft-start capacitor charges to the regulation level during start-up. The negative effect of diode emulation is degraded light load transient response times. Enabling the diode emulation feature is recommended and allows discontinuous conduction operation. The diode emulation feature is configured with the DEMB pin. To enable diode emulation, connect the DEMB pin to ground or leave the pin floating. If continuous conduction operation is desired, the DEMB pin must be tied to either VCC1 or VCC2.

8 Application and Implementation

NOTE

Information in the following applications sections is not part of the TI component specification, and TI does not warrant its accuracy or completeness. TI's customers are responsible for determining suitability of components for their purposes. Customers should validate and test their design implementation to confirm system functionality.

8.1 Application Information

8.1.1 Miscellaneous Functions

EN2 is left floating which allows channel2 to always remain enabled. If EN2 is pulled below 2 V, channel2 is disabled.

The DEMB pin is left floating because this design uses diode emulation. For fully synchronous (continuous conduction) operation, connect the DEMB to a voltage greater than 2.6 V.

VCCDIS is left floating to enable the internal VCC regulators. To disable the internal VCC regulators, connect this pin to a voltage greater than 1.25 V.

8.1.2 Interleaved Operation

Interleaved operation can offer many advantages in single-output, high-current applications. The output power path is split between two identical channels reducing the current in each channel by one-half. Ripple current reduction in the output capacitors is reduced significantly because each channel operates 180 degrees out of phase from the other. Ripple reduction is greatest at 50% duty cycle and decreases as the duty cycle varies away from 50%.

Refer to [Figure 12](#) to estimate the ripple current reduction. Also, the effective ripple in the input and output capacitors occurs at twice the frequency of a single-channel design due to the combining of the two channels. All of these factors are advantageous in managing the higher currents and their effects in a high power design.

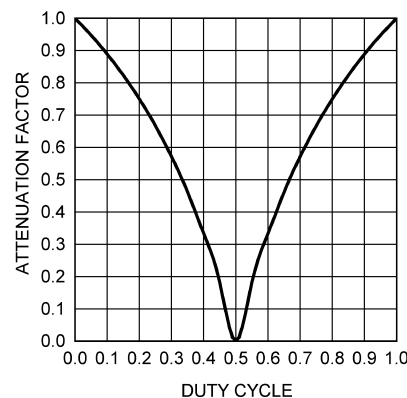


Figure 12. Cancellation Factor vs Duty Cycle for Output Capacitor

To begin an interleaved design, use the previous equations in this datasheet to first calculate the required value of components using one-half the current in the output power path. The attenuation factor in [Figure 12](#) is the ratio of the output capacitor ripple to the inductor ripple versus duty cycle. The inductor ripple used in this calculation is the ripple in either inductor in a two phase design, not the ripple calculated for a single phase design of the same output power. It can be observed that operation around 50% duty cycle results in almost complete ripple attenuation in the output capacitor. [Figure 12](#) can be used to calculate the amount of ripple attenuation in the output capacitors.

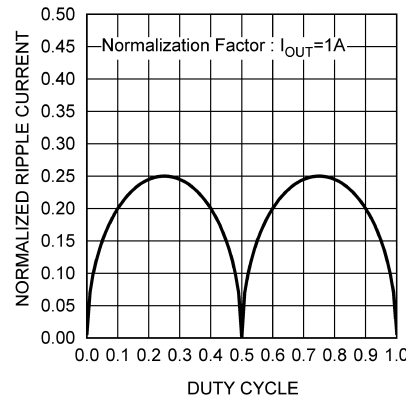
Application Information (continued)


Figure 13. Normalized Input Capacitor RMS Ripple Current vs Duty Cycle

Figure 13 illustrates the ripple current reduction in the input capacitors due to interleaving. As with the output capacitors, there is near perfect ripple reduction near 50% duty cycle. This plot can be used to calculate the ripple in the input capacitors at any duty cycle. In designs with large duty cycle swings, use the worst-case ripple reduction for the design.

To configure the LM25119 for interleaved operation, connect COMP1 and COMP2 pins together at the IC. Connecting the FB2 pin to VCC2 pin disables the channel2 error amplifier with a high output impedance at COMP2. Connect the compensation network between FB1 and the common COMP pins. Connect the two power stages together at the output capacitors. Finally use the plots in Figure 12 and Figure 13 along with the duty cycle range to determine the amount of output and input capacitor ripple reduction. Frequently more capacitance than necessary is used in a design just to meet ESR requirements. Reducing the capacitance based solely on ripple reduction graphs alone may violate this requirement.

In the LM25119 evaluation board (schematic shown in Figure 14) interleaved operation can be enabled by shorting both outputs together (with identical components in the power train), and using zero ohm resistors for R22 and R21. This shorts VCC2 to FB2 and COMP2 to COMP1 respectively. Also the channel2 feedback network C14, R6, and C15 must be removed. The easy re-configuration between two-channel and single-channel operation allows insight into the benefits of interleaved operation.

8.2 Typical Application

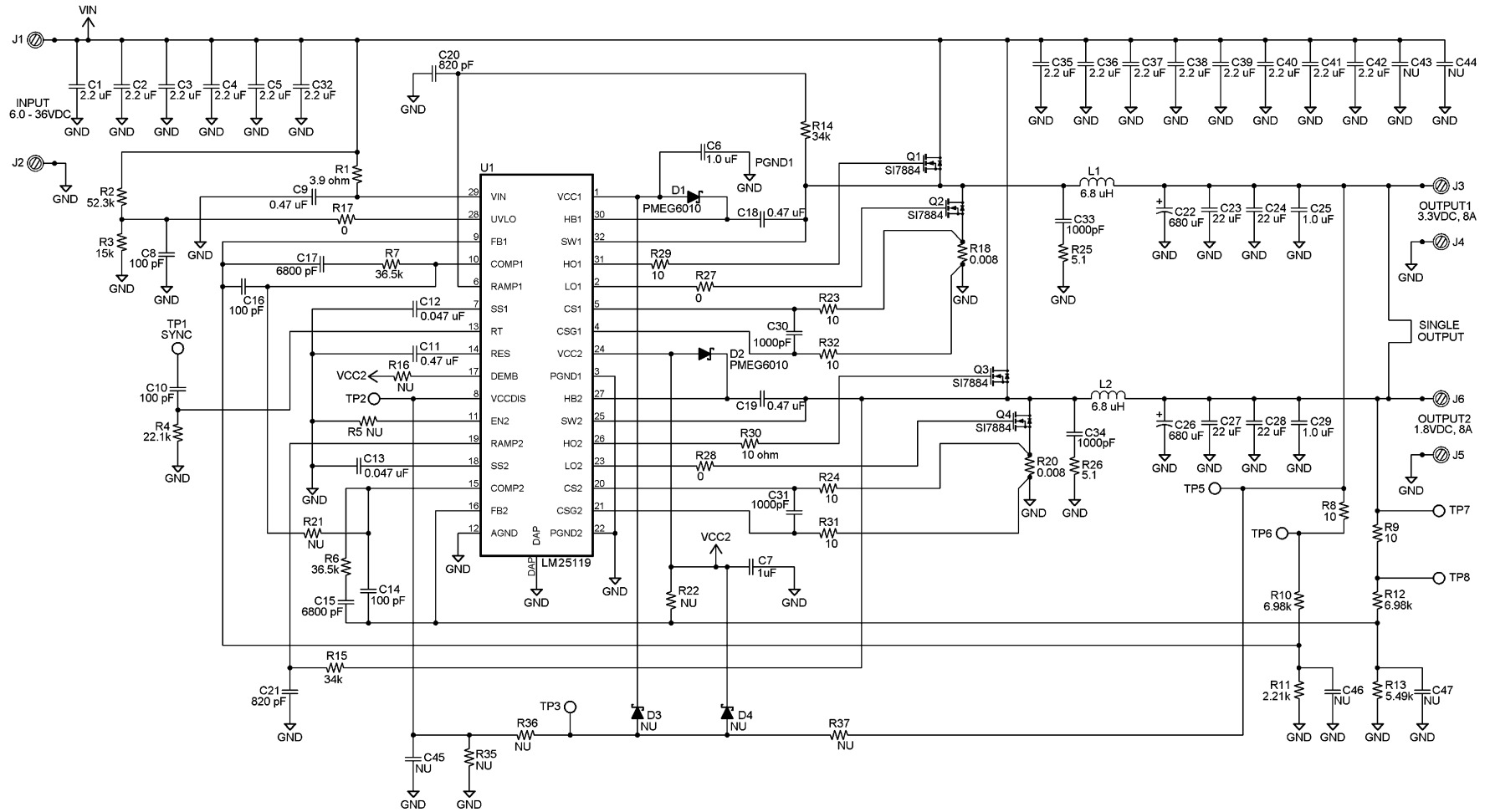


Figure 14. 3.3-V 8-A, 1.8-V 8-A Typical Application Schematic

8.2.1 Design Requirements

8.2.1.1 External Components

The procedure for calculating the external components is illustrated with the following design example. Only the values for the 3.3 V output are calculated because the procedure is the same for the 1.8-V output. The circuit shown in [Figure 14](#) is configured for the following specifications:

- CH1 output voltage, $V_{OUT1} = 3.3\text{ V}$
- CH2 output voltage, $V_{OUT2} = 1.8\text{ V}$
- CH1 maximum load current, $I_{OUT1} = 8\text{ A}$
- CH2 maximum load current, $I_{OUT2} = 8\text{ A}$
- Minimum input voltage, $V_{IN(MIN)} = 6\text{ V}$
- Maximum input voltage, $V_{IN(MAX)} = 36\text{ V}$
- Switching frequency, $f_{SW} = 230\text{ kHz}$

Some component values were chosen as a compromise between the 3.3-V and 1.8-V outputs to allow identical components to be used on both outputs. This design can be reconfigured in a dual-channel interleaved configuration with a single 3.3-V output which requires identical power channels.

8.2.2 Detailed Design Procedure

8.2.2.1 Timing Resistor

R_T sets the switching frequency of each regulator channel. Generally, higher frequency applications are smaller but have higher losses. Operation at 230 kHz was selected for this example as a reasonable compromise between small size and high efficiency. The value of R_T for 230-kHz switching frequency is calculated with [Equation 7](#).

$$R_T = \frac{5.2 \times 10^9}{f_{SW}} - 948 = 21.66\text{ k}\Omega \quad (7)$$

A standard value of 22.1 k Ω was chosen for R_T . The internal oscillator frequency is twice the switching frequency and is about 460 kHz.

8.2.2.2 Output Inductor

The inductor value is determined based on the operating frequency, load current, ripple current, and the input and output voltages.

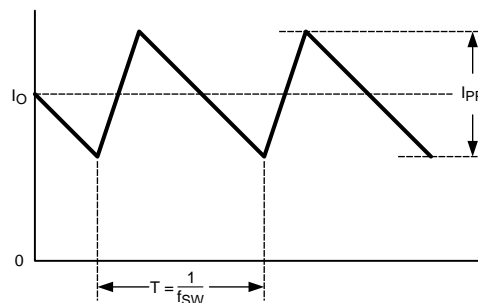


Figure 15. Inductor Current

Knowing the switching frequency, maximum ripple current (I_{PP}), maximum input voltage and the nominal output voltage (V_{OUT}), the inductor value is calculated with [Equation 8](#).

$$L = \frac{V_{OUT}}{I_{PP} \times f_{SW}} \times \left(1 - \frac{V_{OUT}}{V_{IN(MAX)}} \right) \quad (8)$$

The maximum ripple current occurs at the maximum input voltage. Typically, I_{PP} is 20% to 40% of the full load current. When operating in the diode emulation mode configuration, the maximum ripple current must be less than twice the minimum load current. For full synchronous operation, higher ripple current is acceptable. Higher ripple current allows for a smaller inductor size, but places more of a burden on the output capacitor to smooth the ripple current. For this example in [Equation 9](#), a ripple current of 25% of 8 A was chosen as a compromise for the 1.8-V output.

$$L = \frac{3.3 \text{ V}}{0.25 \times 8 \text{ A} \times 230 \text{ kHz}} \times \left(1 - \frac{3.3 \text{ V}}{36 \text{ V}}\right) = 6.5 \mu\text{H} \quad (9)$$

The nearest standard value of 6.8 μH was chosen for L . Using the value of 6.8 μH for L in [Equation 10](#) and the example ([Equation 11](#)), calculate I_{PP} again. This step is necessary if the chosen value of L differs significantly from the calculated value.

$$I_{PP} = \frac{V_{OUT}}{L \times f_{SW}} \times \left(1 - \frac{V_{OUT}}{V_{IN(MAX)}}\right) \quad (10)$$

$$I_{PP} = \frac{3.3 \text{ V}}{6.8 \mu\text{H} \times 230 \text{ kHz}} \times \left(1 - \frac{3.3 \text{ V}}{36 \text{ V}}\right) = 1.92 \text{ A} \quad (11)$$

8.2.2.3 Current Sense Resistor

Before determining the value of current sense resistor (R_S), it is valuable to understand the K factor, which is the ramp slope multiple chosen for slope compensation. The K factor can vary from 1 to 3 in practice and is defined with [Equation 12](#).

$$K = \frac{L}{10 \times R_S \times R_{RAMP} \times C_{RAMP}} \quad (12)$$

The performance of the converter varies depending on the selected K value (see [Table 1](#)). For this example, 3 was chosen as the K factor to minimize the power loss in sense resistor R_S and the cross-talk between channels. Crosstalk between the two regulators under certain conditions is observed on the output as switch jitter.

The maximum output current capability ($I_{OUT(MAX)}$) must be about 20% to 50% higher than the required output current, (8 A at V_{OUT1}) to account for tolerances and ripple current. For this example, 130% of 8 A was chosen (10.4 A). The current sense resistor value is calculated with [Equation 13](#) and the example ([Equation 14](#)).

$$R_S = \frac{V_{CS(TH)}}{I_{OUT(MAX)} + \frac{V_{OUT} \times K}{f_{SW} \times L} - \frac{I_{PP}}{2}}$$

where

- $V_{CS(TH)}$ is the current limit threshold voltage (120 mV) (13)

$$R_S = \frac{0.12}{10.4 \text{ A} + \frac{3.3 \text{ V} \times 3}{230 \text{ kHz} \times 6.8 \mu\text{H}} - \frac{1.92 \text{ A}}{2}} = 0.0076 \quad (14)$$

A value of 8 m Ω was chosen for R_S . The sense resistor must be rated to handle the power dissipation at maximum input voltage when current flows through the free-wheel MOSFET for the majority of the PWM cycle. The maximum power dissipation of R_S is calculated with [Equation 15](#) and the example ([Equation 16](#)).

$$P_{RS} = \left(1 - \frac{V_{OUT}}{V_{IN(MAX)}}\right) I_{OUT}^2 R_S \quad (15)$$

$$P_{RS} = \left(1 - \frac{3.3 \text{ V}}{36 \text{ V}}\right) \times 8^2 \times 0.008 = 0.46 \text{ W} \quad (16)$$

During output short condition, the worst-case peak inductor current is limited to [Equation 17](#) and the example ([Equation 18](#)).

$$I_{LIM_PEAK} = \frac{V_{CS(TH)}}{R_S} + \frac{V_{IN(MAX)} t_{ON(MIN)}}{L}$$

where

- $t_{ON(MIN)}$ is the minimum HO on-time which is nominally 100 ns (17)

$$I_{LIM_PEAK} = \frac{0.12}{0.008\Omega} + \frac{36\text{ V} \times 100\text{ ns}}{6.8\ \mu\text{H}} = 15.53\text{A} \quad (18)$$

The chosen inductor must be evaluated for this condition, especially at elevated temperature where the saturation current rating of the inductor may drop significantly. At the maximum input voltage with a shorted output, the valley current must fall below $V_{CS(TH)} / R_S$ before the high-side MOSFET is allowed to turn on.

8.2.2.4 Ramp Resistor and Ramp Capacitor

The value of ramp capacitor (C_{RAMP}) must be less than 2 nF to allow full discharge between cycles by the discharge switch internal to the LM25119. A good-quality, thermally-stable ceramic capacitor with 5% or less tolerance is recommended. For this design the value of C_{RAMP} was set at the standard capacitor value of 820 pF. With the inductor, sense resistor and the K factor selected, the value of the ramp resistor (R_{RAMP}) is calculated with Equation 19 and the example (Equation 20). The standard value of 34 kΩ was selected.

$$R_{RAMP} = \frac{L}{10 \times R_S \times K \times C_{RAMP}} \quad (19)$$

$$R_{RAMP} = \frac{6.8\ \mu\text{H}}{10 \times 0.008\ \Omega \times 3 \times 820\ \text{pF}} = 34.5\ \text{k}\Omega \quad (20)$$

8.2.2.5 Output Capacitors

The output capacitors smooth the inductor ripple current and provide a source of charge during transient loading conditions. For this design example, a 680-μF electrolytic capacitor with 10-mΩ ESR was selected as the main output capacitor. The fundamental component of the output ripple voltage is approximated with Equation 21 and the example (Equation 22 and Equation 23).

$$\Delta V_{OUT} = I_{PP} \times \sqrt{ESR^2 + \left(\frac{1}{8 \times f_{SW} \times C_{OUT}} \right)^2} \quad (21)$$

$$\Delta V_{OUT} = 1.92\text{A} \times \sqrt{0.01\ \Omega^2 + \left(\frac{1}{8 \times 230\ \text{kHz} \times 680\ \mu\text{F}} \right)^2} \quad (22)$$

$$\Delta V_{OUT} = 19.3\ \text{mV} \quad (23)$$

Two 22-μF low ERS or ESL ceramic capacitors are placed in parallel with the 680-μF electrolytic capacitor, to further reduce the output voltage ripple and spikes.

Table 1. Performance Variation by K Factor

	K < 1	1 ← K → 3		K > 3
Cross talk	Sub-harmonic oscillation may occur	Higher	Lower	Introduces additional pole near cross-over frequency
Peak inductor current with short output condition		Lower	Higher	
Inductor size		Smaller	Larger	
Power dissipation of Rs		Higher	Lower	
Efficiency		Lower	Higher	

8.2.2.6 Input Capacitors

The regulator input supply voltage typically has high source impedance at the switching frequency. Good-quality input capacitors are necessary to limit the ripple voltage at the VIN pin while supplying most of the switch current during the ON-time. When the buck switch turns on, the current into the buck switch steps to the valley of the inductor current waveform, ramps up to the peak value, and then drops to the zero at turnoff. The input capacitance must be selected for RMS current rating and minimum ripple voltage. A good approximation for the required ripple current rating necessary is $I_{RMS} > I_{OUT} / 2$. Seven 2.2- μ F ceramic capacitors were used for each channel. With ceramic capacitors, the input ripple voltage is triangular. The input ripple voltage with one channel operating is approximately [Equation 24](#) and the example ([Equation 25](#)).

$$\Delta V_{IN} = \frac{I_{OUT}}{4 \times f_{SW} \times C_{IN}} \quad (24)$$

$$\Delta V_{IN} = \frac{8A}{4 \times 230 \text{ kHz} \times 15.4 \mu\text{F}} = 0.565 \text{ V} \quad (25)$$

The ripple voltage of the input capacitors is reduced significantly with dual-channel operation because each channel operates 180 degrees out of phase from the other. Capacitors connected in parallel must be evaluated for RMS current rating. The current splits between the input capacitors based on the relative impedance of the capacitors at the switching frequency.

When the converter is connected to an input power source, a resonant circuit is formed by the line inductance and the input capacitors. To minimize overshoot make $C_{IN} > 10 \times L_{IN}$. The characteristic source impedance (Z_S) and resonant frequency (f_S) are [Equation 26](#) and the example ([Equation 27](#)).

$$Z_S = \sqrt{\frac{L_{IN}}{C_{IN}}}$$

where

- L_{IN} is the inductance of the input wire (26)

$$f_S = \frac{1}{2\pi\sqrt{L_{IN} \times C_{IN}}} \quad (27)$$

The converter exhibits negative input impedance which is lowest at the minimum input voltage in [Equation 28](#).

$$Z_{IN} = \frac{V_{IN}^2}{P_{OUT}} \quad (28)$$

The damping factor for the input filter is given by [Equation 29](#).

$$\delta = \frac{1}{2} \times \left(\frac{R_{IN} + ESR}{Z_S} + \frac{Z_S}{Z_{IN}} \right)$$

where

- R_{IN} is the input wiring resistance
- ESR is the equivalent series resistance of the input capacitors (29)

When $\delta = 1$, the input filter is critically damped. This may be difficult to achieve with practical component values. With $\delta < 0.2$, the input filter exhibits significant ringing. If δ is zero or negative, there is not enough resistance in the circuit and the input filter sustains an oscillation. When operating near the minimum input voltage, a bulk aluminum electrolytic capacitor across C_{IN} may be needed to damp the input for a typical bench test setup.

8.2.2.7 VCC Capacitor

The primary purpose of the VCC capacitor (C_{VCC}) is to supply the peak transient currents of the LO driver and bootstrap diode as well as provide stability for the VCC regulator. These peak currents can be several amperes. TI recommends the value of C_{VCC} must be no smaller than 0.47 μ F, and be a good-quality, low-ESR, ceramic capacitor located at the pins of the IC to minimize potentially damaging voltage transients caused by trace inductance. A value of 1 μ F was selected for this design.

8.2.2.8 Bootstrap Capacitor

The bootstrap capacitor between the HB and SW pins supplies the gate current to charge the high-side MOSFET gate at each cycle's turnon and recovery charge for the bootstrap diode. These current peaks can be several amperes. TI recommends the value of the bootstrap capacitor is at least 0.1 μF , and be a good-quality, low-ESR, ceramic capacitor located at the pins of the IC to minimize potentially damaging voltage transients caused by trace inductance. The absolute minimum value for the bootstrap capacitor is calculated with Equation 30. A value of 0.47 μF was selected for this design.

$$C_{\text{HB}} \geq \frac{Q_{\text{g}}}{\Delta V_{\text{HB}}}$$

where

- Q_{g} is the high-side MOSFET gate charge
- ΔV_{HB} is the tolerable voltage droop on C_{HB} (which is typically less than 5% of VCC) (30)

8.2.2.9 Soft Start Capacitor

The capacitor at the SS pin (C_{SS}) determines the soft-start time (t_{SS}), which is the time for the output voltage to reach the final regulated value. The value of C_{SS} for a given time is determined from Equation 31. For this application, a value of 0.047 μF was chosen for a soft-start time of 3.8 ms.

$$C_{\text{SS}} = \frac{t_{\text{SS}} \times 10 \mu\text{A}}{0.8 \text{ V}} \quad (31)$$

8.2.2.10 Restart Capacitor

The restart pin sources 10 μA into the external restart capacitor (C_{RES}). The value of the restart capacitor is given by Equation 32. For this application, a value of 0.47 μF was chosen for a restart time of 59 ms.

$$C_{\text{RES}} = \frac{10 \mu\text{A} \times t_{\text{RES}}}{1.25 \text{ V}}$$

where

- t_{RES} is the time the LM25119 remains off before a restart attempt in hiccup mode current limiting (32)

8.2.2.11 Output Voltage Divider

R_{FB1} and R_{FB2} set the output voltage level, the ratio of these resistors is calculated from Equation 33.

$$\frac{R_{\text{FB2}}}{R_{\text{FB1}}} = \frac{V_{\text{OUT}}}{0.8 \text{ V}} - 1 \quad (33)$$

2.21 k Ω was chosen for R_{FB1} in this design which results in a R_{FB2} value of 6.98 k Ω for V_{OUT1} of 3.3 V. A reasonable guide is to select the value of R_{FB1} in the range between 500 Ω and 10 k Ω . The value of R_{FB1} must be large enough to keep the total divider power dissipation small.

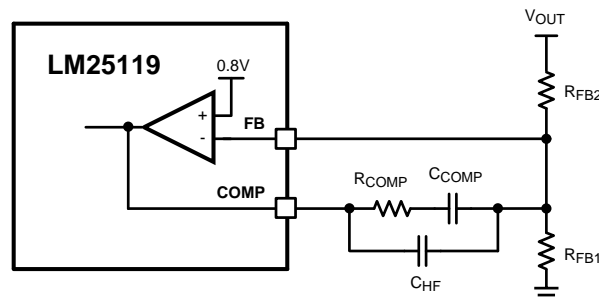


Figure 16. Feedback Configuration

8.2.2.12 UVLO Divider

The UVLO threshold is internally set to 1.25 V at the UVLO pin. The LM25119 is enabled when the system input voltage V_{IN} causes the UVLO pin to exceed the threshold voltage of 1.25 V. When the UVLO pin voltage is below the threshold, the internal 20- μ A current source is disabled. When the UVLO pin voltage exceeds the 1.25-V threshold, the 20- μ A current source is enabled causing the UVLO pin voltage to increase, providing hysteresis. The values of R_{UV1} and R_{UV2} can be determined from Equation 34 and the example (Equation 35).

$$R_{UV2} = \frac{V_{HYS}}{20 \mu A} \quad (34)$$

$$R_{UV1} = \frac{1.25 V \times R_{UV2}}{V_{IN} - 1.25} \quad (35)$$

V_{HYS} is the desired UVLO hysteresis at V_{IN} , and V_{IN} in the second equation is the desired UVLO release (turnon) voltage. For example, if it is desired for the LM25119 to be enabled when V_{IN} reaches 5.6 V, and the desired hysteresis is 1.05 V, then R_{UV2} must be set to 52.5 k Ω and R_{UV1} must be set to 15.1 k Ω . For this application, R_{UV2} was selected to be 52.3 k Ω and R_{UV1} was selected to be 15 k Ω . The LM25119 can be remotely shutdown by taking the UVLO pin below 0.4 V with an external open-collector or open-drain device. The outputs and the VCC regulator are disabled in shutdown mode. Capacitor C_{FT} provides filtering for the divider. A value of 100 pF was chosen for C_{FT} . The voltage at the UVLO pin must never exceed 15 V when using the external set-point divider. It may be necessary to clamp the UVLO pin at high input voltages.

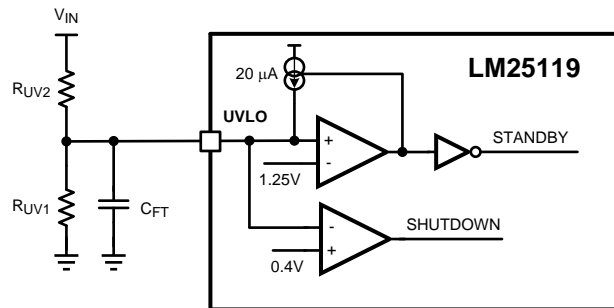


Figure 17. UVLO Configuration

8.2.2.13 MOSFET Selection

Selection of the power MOSFETs is governed by the same tradeoffs as switching frequency. Breaking down the losses in the high-side and low-side MOSFETs is one way to compare the relative efficiencies of different devices. When using discrete SO-8 MOSFETs, generally the output current capability range is 2 A to 10 A. Losses in the power MOSFETs can be broken down into conduction loss, gate charging loss, and switching loss. Conduction loss P_{DC} is approximately Equation 36 and the example (Equation 37).

$$P_{DC(HO-MOSFET)} = D \times (I_O^2 \times R_{DS(ON)} \times 1.3) \quad (36)$$

$$P_{DC(LO-MOSFET)} = (1 - D) \times (I_O^2 \times R_{DS(ON)} \times 1.3)$$

where

- D is the duty cycle
- The 1.3 factor accounts for the increase in MOSFET ON-resistance due to heating

Alternatively, the factor of 1.3 can be eliminated and the high temperature ON-resistance of the MOSFET can be estimated using the $R_{DS(ON)}$ vs Temperature curves in the MOSFET datasheet. Gate charging loss, P_{GC} , results from the current driving the gate capacitance of the power MOSFETs and is approximated with Equation 38.

$$P_{GC} = n \times VCC \times Q_g \times f_{SW}$$

where

- Q_g refers to the total gate charge of an individual MOSFET
- n is the number of MOSFETs

Gate charge loss differs from conduction and switching losses in that the actual dissipation occurs in the LM25119 and not in the MOSFET itself. Further loss in the LM25119 is incurred if the gate driving current is supplied by the internal linear regulator.

Switching loss occurs during the brief transition period as the MOSFET turns on and off. During the transition period both current and voltage are present in the channel of the MOSFET. The switching loss can be approximated with [Equation 39](#).

$$P_{SW} = 0.5 \times V_{IN} \times I_O \times (t_R + t_F) \times f_{SW}$$

where

- t_R and t_F are the rise and fall times of the MOSFET (39)

The rise and fall times are usually mentioned in the MOSFET datasheet or can be empirically observed with an oscilloscope. Switching loss is calculated for the high-side MOSFET only. Switching loss in the low-side MOSFET is negligible because the body diode of the low-side MOSFET turns on before the MOSFET itself, minimizing the voltage from drain to source before turnon. For this example, the maximum drain-to-source voltage applied to either MOSFET is 36 V. The selected MOSFETs must be able to withstand 36 V plus any ringing from drain to source, and be able to handle at least the VCC voltage plus any ringing from gate to source. A good choice of MOSFET for the 36-V input design example is the SI7884. It has an $R_{DS(ON)}$ of 7.5 m Ω and total gate charge of 21 nC. In applications where a high step-down ratio is maintained in normal operation, efficiency may be optimized by choosing a high-side MOSFET with lower Q_g , and low-side MOSFET with lower $R_{DS(ON)}$.

8.2.2.14 MOSFET Snubber

A resistor-capacitor snubber network across the low-side MOSFET reduces ringing and spikes at the switching node. Excessive ringing and spikes can cause erratic operation and couple noise to the output. Selecting the values for the snubber is best accomplished through empirical methods. First, make sure the lead lengths for the snubber connections are very short. Start with a resistor value between 5 and 50 Ω . Increasing the value of the snubber capacitor results in more damping, but higher snubber losses. Select a minimum value for the snubber capacitor that provides adequate damping of the spikes on the switch waveform at high load. A snubber may not be necessary with an optimized layout.

8.2.2.15 Error Amplifier Compensation

R_{COMP} , C_{COMP} , and C_{HF} configure the error amplifier gain characteristics to accomplish a stable voltage loop gain. One advantage of current mode control is the ability to close the loop with only two feedback components, R_{COMP} and C_{COMP} . The voltage loop gain is the product of the modulator gain and the error amplifier gain. For the 3.3-V output design example, the modulator is treated as an ideal voltage-to-current converter. The DC modulator gain of the LM25119 can be modeled with [Equation 40](#).

$$DC_GAIN_{(MOD)} = \frac{R_{LOAD}}{(A \times R_S)} \tag{40}$$

NOTE

A is the gain of the current sense amplifier which is 10 in the LM25119

The dominant low frequency pole of the modulator is determined by the load resistance (R_{LOAD}) and output capacitance (C_{OUT}). The corner frequency of this pole calculated with [Equation 41](#).

$$f_{P(MOD)} = \frac{1}{(2\pi \times R_{LOAD} \times C_{OUT})} \tag{41}$$

For $R_{LOAD} = 3.3 \text{ V} / 8 \text{ A} = 0.413 \text{ } \Omega$ and $C_{OUT} = 724 \text{ } \mu\text{F}$ (effective) then $f_{P(MOD)} = 532 \text{ Hz}$

DC Gain_(MOD) = $0.413 \text{ } \Omega / (10 \times 8 \text{ m}\Omega) = 5.16 = 14.2 \text{ dB}$

For the 3.3-V design example, the modulator gain versus frequency characteristic is shown in [Figure 18](#).

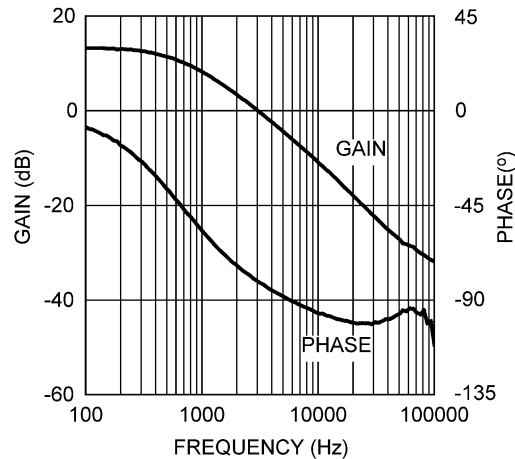


Figure 18. Modulator Gain and Phase

Components R_{COMP} and C_{COMP} configure the error amplifier as a Type II configuration. The DC gain of the amplifier is 80 dB with a pole at 0 Hz and a zero at $f_{ZEA} = 1 / (2 \pi \times R_{COMP} \times C_{COMP})$. The error amplifier zero cancels the modulator pole leaving a single pole response at the crossover frequency of the voltage loop. A single pole response at the crossover frequency yields a very stable loop with 90 degrees of phase margin. For the design example, a conservative target loop bandwidth (crossover frequency) of 11 kHz was selected. The compensation network zero (f_{ZEA}) must be selected at least an order of magnitude less than the target crossover frequency. This constrains the product of R_{COMP} and C_{COMP} for a desired compensation network zero $1 / (2 \pi \times R_{COMP} \times C_{COMP})$ to be about 1.1 kHz. Increasing R_{COMP} , while proportionally decreasing C_{COMP} , increases the error amp gain. Conversely, decreasing R_{COMP} while proportionally increasing C_{COMP} , decreases the error amp gain. For the design example, C_{COMP} was selected as 6800 pF and R_{COMP} was selected as 36.5 k Ω . These values configure the compensation network zero at 640 Hz. The error amp gain at frequencies greater than f_{ZEA} is: R_{COMP} / R_{FB2} , which is approximately 5.22 (14.3 dB).

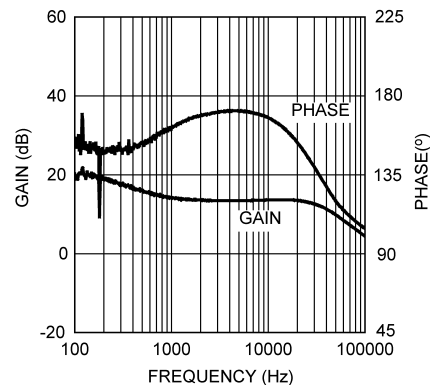


Figure 19. Error Amplifier Gain and Phase

The overall voltage loop gain can be predicted as the sum (in dB) of the modulator gain and the error amp gain.

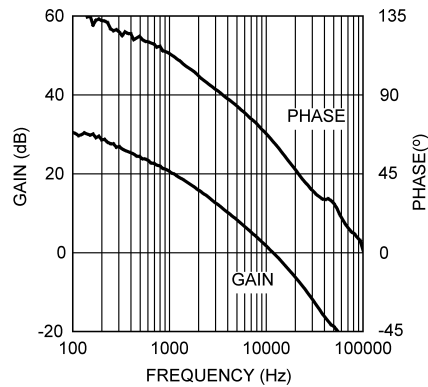
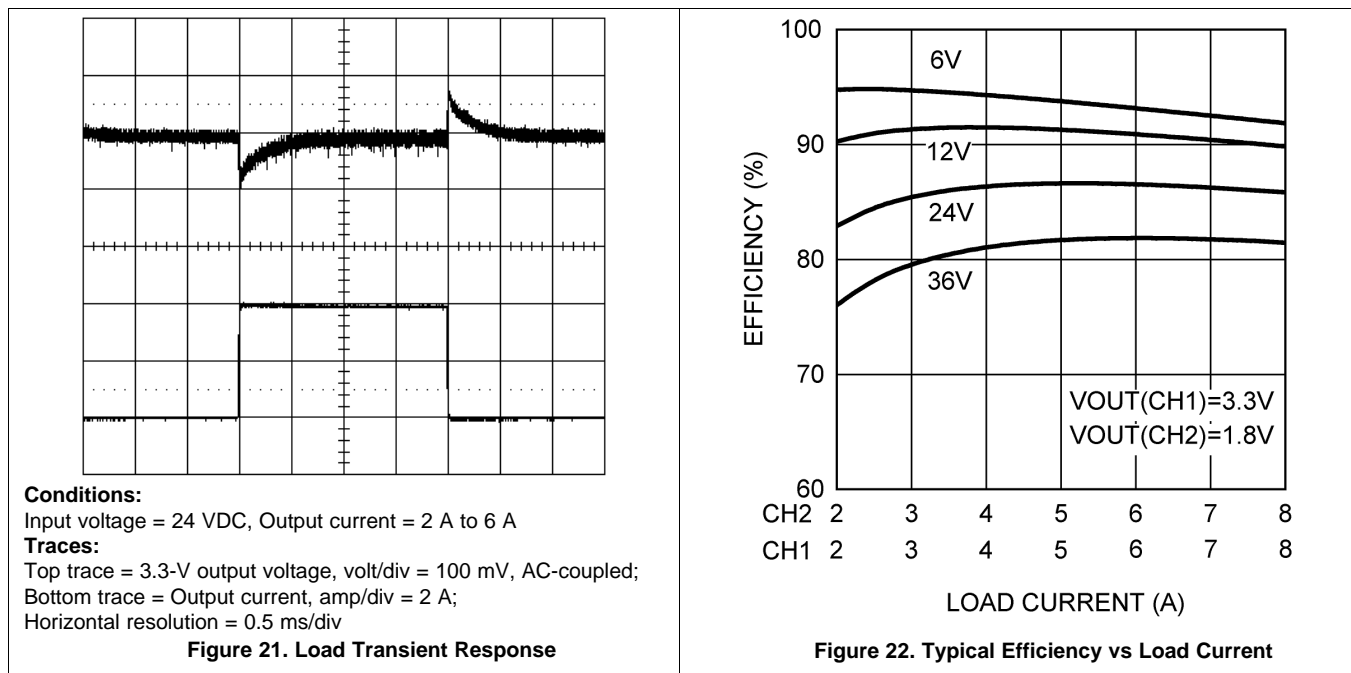


Figure 20. Overall Voltage Loop Gain and Phase

If a network analyzer is available, the modulator gain can be measured and the error amplifier gain can be configured for the desired loop transfer function. If the K factor is between 2 and 3, the stability must be checked with the network analyzer. If a network analyzer is not available, the error amplifier compensation components can be designed with the guidelines given. Step load transient tests can be performed to verify acceptable performance. The step load goal is minimum overshoot with a damped response. C_{HF} can be added to the compensation network to decrease noise susceptibility of the error amplifier. The value of C_{HF} must be sufficiently small because the addition of this capacitor adds a pole in the error amplifier transfer function. This pole must be well beyond the loop crossover frequency. A good approximation of the location of the pole added by C_{HF} is: $f_{P2} = f_{ZEA} \times C_{COMP} / C_{HF}$. The value of C_{HF} was selected as 100 pF for the design example.

8.2.3 Application Curves



9 Power Supply Recommendations

LM25119 is a power management device. The power supply for the device is an DC voltage source within the specified input range.

10 Layout

10.1 Layout Guidelines

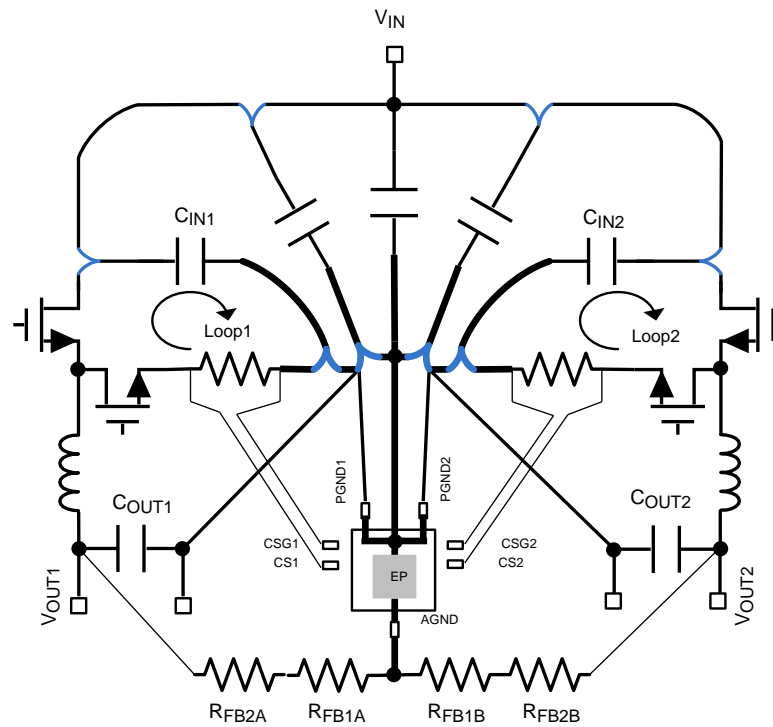
The LM25119 consists of two integrated regulators operating almost independently. Crosstalk between the two regulators under certain conditions may be observed as switch jitter. This effect is common for any dual-channel regulator. Crosstalk effects are usually most severe when one channel is operating around 50% duty cycle. Careful layout practices help to minimize this effect. The following board layout guidelines apply specifically to the LM25119 and must be followed for best performance.

1. Keep the Loop1 and Loop2, shown in [Figure 23](#), as small as possible
2. Keep the signal and power grounds separate
3. Place VCC capacitors (C6, C7) and VIN capacitor (C9) as close as possible to the LM25119
4. Route CS and CSG traces together with Kelvin connection to the sense resistor
5. Connect AGND and PGND directly to the underside exposed pad
6. Ensure there are no high current paths beneath the underside exposed pad

10.1.1 Switching Jitter Root Causes and Solutions

1. Noise coupling of the high frequency switching between two channels through the input power rail
 - (a) Keep the high current path as short as possible
 - (b) Choose a FET with minimum lead inductance
 - (c) Place local bypass capacitors (C_{IN1} , C_{IN2}) as close as possible to the high-side FETs to isolate one channel from the high frequency noise of the other channel
 - (d) Slow down the SW switching speed by increasing gate resistors R29 and R30
 - (e) Minimize the effective ESR or ESL of the input capacitor by paralleling input capacitors
2. High frequency AC noise on FB, CS, CSG and COMP
 - (a) Use the star ground PCB layout technique and minimize the length of the high current path
 - (b) Keep the signal traces away from the SW, HO, HB traces and the inductor
 - (c) Add an R-C filter between the CS and CSG pins
 - (d) Place CS filter capacitor (C30, C31) next to the LM25119 and on the same PCB layer as the LM25119
3. Ground offset at the switching frequency
 - (a) Use the star ground PCB layout technique and minimize the length between the grounds of C_{IN1} and C_{IN2}

10.2 Layout Example







-  The bold lines indicate a solid ground plane. Make the traces to the widest and the shortest and use the star ground technique.
-  These lines indicate the high current paths. Make the traces as wide and short as possible
-  These lines indicate the small signal paths. The traces can be narrow but keep them away from any radiated noise and away from traces that may couple noise capacitively
-  These points require the maximum bypassing of the high frequency switching noise. Isolate each channel from the high frequency switching noise of the other channel.

Figure 23. Recommended PCB Layout

11 器件和文档支持

11.1 相关链接

下面的表格列出了快速访问链接。范围包括技术文档、支持与社区资源、工具和软件，以及样片或购买的快速访问。

表 2. 相关链接

部件	产品文件夹	样片与购买	技术文档	工具与软件	支持与社区
LM25119	请单击此处	请单击此处	请单击此处	请单击此处	请单击此处
LM25119-Q1	请单击此处	请单击此处	请单击此处	请单击此处	请单击此处

11.2 社区资源

The following links connect to TI community resources. Linked contents are provided "AS IS" by the respective contributors. They do not constitute TI specifications and do not necessarily reflect TI's views; see TI's [Terms of Use](#).

TI E2E™ Online Community *TI's Engineer-to-Engineer (E2E) Community*. Created to foster collaboration among engineers. At e2e.ti.com, you can ask questions, share knowledge, explore ideas and help solve problems with fellow engineers.

Design Support *TI's Design Support* Quickly find helpful E2E forums along with design support tools and contact information for technical support.

11.3 商标

E2E is a trademark of Texas Instruments.
All other trademarks are the property of their respective owners.

11.4 静电放电警告



这些装置包含有限的内置 ESD 保护。存储或装卸时，应将导线一起截短或将装置放置于导电泡棉中，以防止 MOS 门极遭受静电损伤。

11.5 Glossary

SLYZ022 — *TI Glossary*.

This glossary lists and explains terms, acronyms, and definitions.

12 机械、封装和可订购信息

以下页中包括机械、封装和可订购信息。这些信息是针对指定器件可提供的最新数据。这些数据会在无通知且不对本文档进行修订的情况下发生改变。欲获得该数据表的浏览器版本，请查阅左侧的导航栏。

重要声明

德州仪器(TI)及其下属子公司有权根据 JESD46 最新标准,对所提供的产品和服务进行更正、修改、增强、改进或其它更改,并有权根据 JESD48 最新标准中止提供任何产品和服务。客户在下订单前应获取最新的相关信息,并验证这些信息是否完整且是最新的。所有产品的销售都遵循在订单确认时所提供的TI 销售条款与条件。

TI 保证其所销售的组件的性能符合产品销售时 TI 半导体产品销售条件与条款的适用规范。仅在 TI 保证的范围内,且 TI 认为有必要时才会使用测试或其它质量控制技术。除非适用法律做出了硬性规定,否则没有必要对每种组件的所有参数进行测试。

TI 对应用帮助或客户产品设计不承担任何义务。客户应对其使用 TI 组件的产品和应用自行负责。为尽量减小与客户产品和应用相关的风险,客户应提供充分的设计与操作安全措施。

TI 不对任何 TI 专利权、版权、屏蔽作品权或其它与使用了 TI 组件或服务的组合设备、机器或流程相关的 TI 知识产权中授予的直接或隐含权限作出任何保证或解释。TI 所发布的与第三方产品或服务有关的信息,不能构成从 TI 获得使用这些产品或服务的许可、授权、或认可。使用此类信息可能需要获得第三方的专利权或其它知识产权方面的许可,或是 TI 的专利权或其它知识产权方面的许可。

对于 TI 的产品手册或数据表中 TI 信息的重要部分,仅在没有对内容进行任何篡改且带有相关授权、条件、限制和声明的情况下才允许进行复制。TI 对此类篡改过的文件不承担任何责任或义务。复制第三方的信息可能需要服从额外的限制条件。

在转售 TI 组件或服务时,如果对该组件或服务参数的陈述与 TI 标明的参数相比存在差异或虚假成分,则会失去相关 TI 组件或服务的所有明示或暗示授权,且这是不正当的、欺诈性商业行为。TI 对任何此类虚假陈述均不承担任何责任或义务。

客户认可并同意,尽管任何应用相关信息或支持仍可能由 TI 提供,但他们将独立负责满足与其产品及其在应用中使用的 TI 产品相关的所有法律、法规和安全相关要求。客户声明并同意,他们具备制定与实施安全措施所需的全部专业技术和知识,可预见故障的危险后果、监测故障及其后果、降低有可能造成人身伤害的故障的发生机率并采取适当的补救措施。客户将全额赔偿因在此类安全关键应用中使用任何 TI 组件而对 TI 及其代理造成的任何损失。

在某些场合中,为了推进安全相关应用有可能对 TI 组件进行特别的促销。TI 的目标是利用此类组件帮助客户设计和创立其特有的可满足适用的功能安全性标准和要求的终端产品解决方案。尽管如此,此类组件仍然服从这些条款。

TI 组件未获得用于 FDA Class III (或类似的生命攸关医疗设备)的授权许可,除非各方授权官员已经达成了专门管控此类使用的特别协议。

只有那些 TI 特别注明属于军用等级或“增强型塑料”的 TI 组件才是设计或专门用于军事/航空应用或环境的。购买者认可并同意,对并非指定面向军事或航空航天用途的 TI 组件进行军事或航空航天方面的应用,其风险由客户单独承担,并且由客户独立负责满足与此类使用相关的所有法律和法规要求。

TI 已明确指定符合 ISO/TS16949 要求的产品,这些产品主要用于汽车。在任何情况下,因使用非指定产品而无法达到 ISO/TS16949 要求, TI 不承担任何责任。

	产品		应用
数字音频	www.ti.com.cn/audio	通信与电信	www.ti.com.cn/telecom
放大器和线性器件	www.ti.com.cn/amplifiers	计算机及周边	www.ti.com.cn/computer
数据转换器	www.ti.com.cn/dataconverters	消费电子	www.ti.com.cn/consumer-apps
DLP® 产品	www.dlp.com	能源	www.ti.com.cn/energy
DSP - 数字信号处理器	www.ti.com.cn/dsp	工业应用	www.ti.com.cn/industrial
时钟和计时器	www.ti.com.cn/clockandtimers	医疗电子	www.ti.com.cn/medical
接口	www.ti.com.cn/interface	安防应用	www.ti.com.cn/security
逻辑	www.ti.com.cn/logic	汽车电子	www.ti.com.cn/automotive
电源管理	www.ti.com.cn/power	视频和影像	www.ti.com.cn/video
微控制器 (MCU)	www.ti.com.cn/microcontrollers		
RFID 系统	www.ti.com.cn/rfidsys		
OMAP应用处理器	www.ti.com/omap		
无线连通性	www.ti.com.cn/wirelessconnectivity	德州仪器在线技术支持社区	www.deyisupport.com

邮寄地址: 上海市浦东新区世纪大道1568号, 中建大厦32楼邮政编码: 200122
Copyright © 2016, 德州仪器半导体技术(上海)有限公司

PACKAGING INFORMATION

Orderable Device	Status (1)	Package Type	Package Drawing	Pins	Package Qty	Eco Plan (2)	Lead/Ball Finish (6)	MSL Peak Temp (3)	Op Temp (°C)	Device Marking (4/5)	Samples
LM25119PSQ/NOPB	ACTIVE	WQFN	RTV	32	1000	Green (RoHS & no Sb/Br)	CU SN	Level-3-260C-168 HR	-40 to 125	L25119P	Samples
LM25119PSQE/NOPB	ACTIVE	WQFN	RTV	32	250	Green (RoHS & no Sb/Br)	CU SN	Level-3-260C-168 HR	-40 to 125	L25119P	Samples
LM25119PSQX/NOPB	ACTIVE	WQFN	RTV	32	4500	Green (RoHS & no Sb/Br)	CU SN	Level-3-260C-168 HR	-40 to 125	L25119P	Samples
LM25119QPSQ/NOPB	ACTIVE	WQFN	RTV	32	1000	Green (RoHS & no Sb/Br)	CU SN	Level-3-260C-168 HR	-40 to 125	L25119Q	Samples
LM25119QPSQX/NOPB	ACTIVE	WQFN	RTV	32	4500	Green (RoHS & no Sb/Br)	CU SN	Level-3-260C-168 HR	-40 to 125	L25119Q	Samples

(1) The marketing status values are defined as follows:

ACTIVE: Product device recommended for new designs.

LIFEBUY: TI has announced that the device will be discontinued, and a lifetime-buy period is in effect.

NRND: Not recommended for new designs. Device is in production to support existing customers, but TI does not recommend using this part in a new design.

PREVIEW: Device has been announced but is not in production. Samples may or may not be available.

OBSOLETE: TI has discontinued the production of the device.

(2) Eco Plan - The planned eco-friendly classification: Pb-Free (RoHS), Pb-Free (RoHS Exempt), or Green (RoHS & no Sb/Br) - please check <http://www.ti.com/productcontent> for the latest availability information and additional product content details.

TBD: The Pb-Free/Green conversion plan has not been defined.

Pb-Free (RoHS): TI's terms "Lead-Free" or "Pb-Free" mean semiconductor products that are compatible with the current RoHS requirements for all 6 substances, including the requirement that lead not exceed 0.1% by weight in homogeneous materials. Where designed to be soldered at high temperatures, TI Pb-Free products are suitable for use in specified lead-free processes.

Pb-Free (RoHS Exempt): This component has a RoHS exemption for either 1) lead-based flip-chip solder bumps used between the die and package, or 2) lead-based die adhesive used between the die and leadframe. The component is otherwise considered Pb-Free (RoHS compatible) as defined above.

Green (RoHS & no Sb/Br): TI defines "Green" to mean Pb-Free (RoHS compatible), and free of Bromine (Br) and Antimony (Sb) based flame retardants (Br or Sb do not exceed 0.1% by weight in homogeneous material)

(3) MSL, Peak Temp. - The Moisture Sensitivity Level rating according to the JEDEC industry standard classifications, and peak solder temperature.

(4) There may be additional marking, which relates to the logo, the lot trace code information, or the environmental category on the device.

(5) Multiple Device Markings will be inside parentheses. Only one Device Marking contained in parentheses and separated by a "~" will appear on a device. If a line is indented then it is a continuation of the previous line and the two combined represent the entire Device Marking for that device.

⁽⁶⁾ Lead/Ball Finish - Orderable Devices may have multiple material finish options. Finish options are separated by a vertical ruled line. Lead/Ball Finish values may wrap to two lines if the finish value exceeds the maximum column width.

Important Information and Disclaimer:The information provided on this page represents TI's knowledge and belief as of the date that it is provided. TI bases its knowledge and belief on information provided by third parties, and makes no representation or warranty as to the accuracy of such information. Efforts are underway to better integrate information from third parties. TI has taken and continues to take reasonable steps to provide representative and accurate information but may not have conducted destructive testing or chemical analysis on incoming materials and chemicals. TI and TI suppliers consider certain information to be proprietary, and thus CAS numbers and other limited information may not be available for release.

In no event shall TI's liability arising out of such information exceed the total purchase price of the TI part(s) at issue in this document sold by TI to Customer on an annual basis.

TAPE AND REEL INFORMATION

QUADRANT ASSIGNMENTS FOR PIN 1 ORIENTATION IN TAPE


*All dimensions are nominal

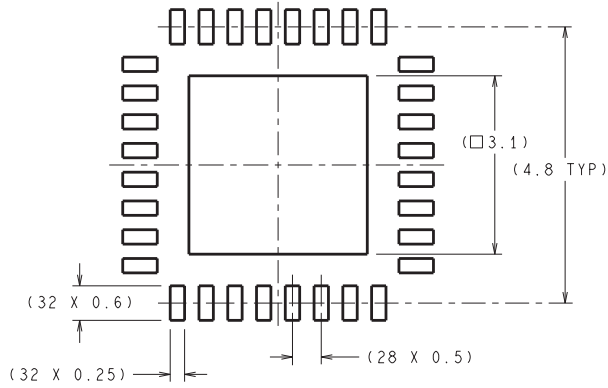
Device	Package Type	Package Drawing	Pins	SPQ	Reel Diameter (mm)	Reel Width W1 (mm)	A0 (mm)	B0 (mm)	K0 (mm)	P1 (mm)	W (mm)	Pin1 Quadrant
LM25119PSQ/NOPB	WQFN	RTV	32	1000	178.0	12.4	5.3	5.3	1.3	8.0	12.0	Q1
LM25119PSQE/NOPB	WQFN	RTV	32	250	178.0	12.4	5.3	5.3	1.3	8.0	12.0	Q1
LM25119PSQX/NOPB	WQFN	RTV	32	4500	330.0	12.4	5.3	5.3	1.3	8.0	12.0	Q1
LM25119QPSQ/NOPB	WQFN	RTV	32	1000	178.0	12.4	5.3	5.3	1.3	8.0	12.0	Q1
LM25119QPSQX/NOPB	WQFN	RTV	32	4500	330.0	12.4	5.3	5.3	1.3	8.0	12.0	Q1

TAPE AND REEL BOX DIMENSIONS


*All dimensions are nominal

Device	Package Type	Package Drawing	Pins	SPQ	Length (mm)	Width (mm)	Height (mm)
LM25119PSQ/NOPB	WQFN	RTV	32	1000	210.0	185.0	35.0
LM25119PSQE/NOPB	WQFN	RTV	32	250	210.0	185.0	35.0
LM25119PSQX/NOPB	WQFN	RTV	32	4500	367.0	367.0	35.0
LM25119QPSQ/NOPB	WQFN	RTV	32	1000	210.0	185.0	35.0
LM25119QPSQX/NOPB	WQFN	RTV	32	4500	367.0	367.0	35.0

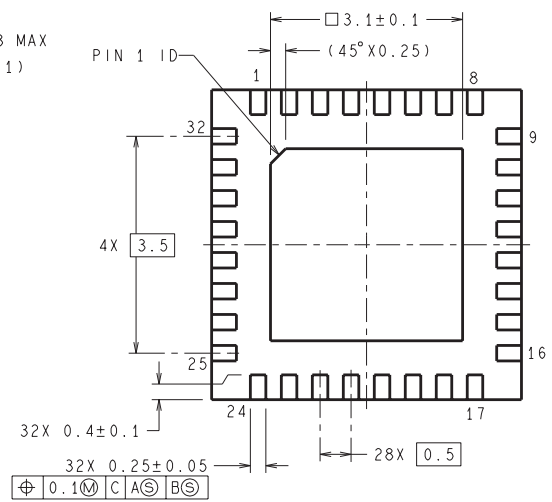
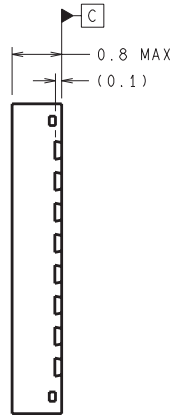
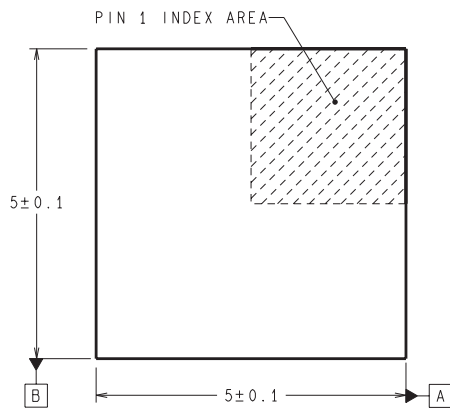
RTV0032A



DIMENSIONS ARE IN MILLIMETERS
DIMENSIONS IN () FOR REFERENCE ONLY



RECOMMENDED LAND PATTERN



SQA32A (Rev B)

重要声明

德州仪器 (TI) 公司有权按照最新发布的 JESD46 对其半导体产品和服务进行纠正、增强、改进和其他修改，并不再按最新发布的 JESD48 提供任何产品和服务。买方在下订单前应获取最新的相关信息，并验证这些信息是否完整且是最新的。

TI 公布的半导体产品销售条款 (<http://www.ti.com/sc/docs/stdterms.htm>) 适用于 TI 已认证和批准上市的已封装集成电路产品的销售。另有其他条款可能适用于其他类型 TI 产品及服务的使用或销售。

复制 TI 数据表上 TI 信息的重要部分时，不得变更该等信息，且必须随附所有相关保证、条件、限制和通知，否则不得复制。TI 对该等复制文件不承担任何责任。第三方信息可能受到其它限制条件的制约。在转售 TI 产品或服务时，如果存在对产品或服务参数的虚假陈述，则会失去相关 TI 产品或服务的明示或暗示保证，且构成不公平的、欺诈性商业行为。TI 对此类虚假陈述不承担任何责任。

买方和在系统中整合 TI 产品的其他开发人员（总称“设计人员”）理解并同意，设计人员在设计应用时应自行实施独立的分析、评价和判断，且应全权负责并确保应用的安全性，及设计人员的应用（包括应用中使用的 TI 产品）应符合所有适用的法律法规及其他相关要求。设计人员就自己设计的应用声明，其具备制订和实施下列保障措施所需的一切必要专业知识，能够 (1) 预见故障的危险后果，(2) 监视故障及其后果，以及 (3) 降低可能导致危险的故障几率并采取适当措施。设计人员同意，在使用或分发包含 TI 产品的任何应用前，将彻底测试该等应用和该等应用中所用 TI 产品的功能。

TI 提供技术、应用或其他设计建议、质量特点、可靠性数据或其他服务或信息，包括但不限于与评估模块有关的参考设计和材料（总称“TI 资源”），旨在帮助设计人员开发整合了 TI 产品的应用，如果设计人员（个人，或如果是代表公司，则为设计人员的公司）以任何方式下载、访问或使用任何特定的 TI 资源，即表示其同意仅为该等目标，按照本通知的条款使用任何特定 TI 资源。

TI 所提供的 TI 资源，并未扩大或以其他方式修改 TI 对 TI 产品的公开适用的质保及质保免责声明；也未导致 TI 承担任何额外的义务或责任。TI 有权对其 TI 资源进行纠正、增强、改进和其他修改。除特定 TI 资源的公开文档中明确列出的测试外，TI 未进行任何其他测试。

设计人员只有在开发包含该等 TI 资源所列 TI 产品的应用时，才被授权使用、复制和修改任何相关 TI 资源。但并未依据禁止反言原则或其他法律授予您任何 TI 知识产权的任何其他明示或默示的许可，也未授予您 TI 或第三方的任何技术或知识产权的许可，该等许可包括但不限于任何专利权、版权、屏蔽作品权或与美国 TI 产品或服务的任何整合、机器制作、流程相关的其他知识产权。涉及或参考了第三方产品或服务的信息不构成使用此类产品或服务的许可或与其相关的保证或认可。使用 TI 资源可能需要您向第三方获得对该等第三方专利或其他知识产权的许可。

TI 资源系“按原样”提供。TI 兹免除对资源及其使用作出所有其他明确或默示的保证或陈述，包括但不限于对准确性或完整性、产权保证、无屡发故障保证，以及适销性、适合特定用途和不侵犯任何第三方知识产权的任何默认保证。TI 不负责任何申索，包括但不限于因组合产品所致或与之有关的申索，也不为或对设计人员进行辩护或赔偿，即使该等产品组合已列于 TI 资源或其他地方。对因 TI 资源或其使用引起或与之有关的任何实际的、直接的、特殊的、附带的、间接的、惩罚性的、偶发的、从属或惩戒性损害赔偿，不管 TI 是否获悉可能会产生上述损害赔偿，TI 概不负责。

除 TI 已明确指出特定产品已达到特定行业标准（例如 ISO/TS 16949 和 ISO 26262）的要求外，TI 不对未达到任何该等行业标准要求而承担任何责任。

如果 TI 明确宣称产品有助于功能安全或符合行业功能安全标准，则该等产品旨在帮助客户设计和创作自己的符合相关功能安全标准和要求的的应用。在应用内使用产品的行为本身不会配有安全特性。设计人员必须确保遵守适用于其应用的相关安全要求和标准。设计人员不可将任何 TI 产品用于关乎性命的医疗设备，除非已由各方获得授权的管理人员签署专门的合同对此类应用专门作出规定。关乎性命的医疗设备是指出现故障会导致严重身体伤害或死亡的医疗设备（例如生命保障设备、心脏起搏器、心脏除颤器、人工心脏泵、神经刺激器以及植入设备）。此类设备包括但不限于，美国食品药品监督管理局认定为 III 类设备的设备，以及在美国以外的其他国家或地区认定为同等类别设备的所有医疗设备。

TI 可能明确指定某些产品具备某些特定资格（例如 Q100、军用级或增强型产品）。设计人员同意，其具备一切必要专业知识，可以为自己的应用选择适合的产品，并且正确选择产品的风险由设计人员承担。设计人员单方面负责遵守与该等选择有关的所有法律或监管要求。

设计人员同意向 TI 及其代表全额赔偿因其不遵守本通知条款和条件而引起的任何损害、费用、损失和/或责任。

邮寄地址：上海市浦东新区世纪大道 1568 号中建大厦 32 楼，邮政编码：200122
Copyright © 2017 德州仪器半导体技术（上海）有限公司