

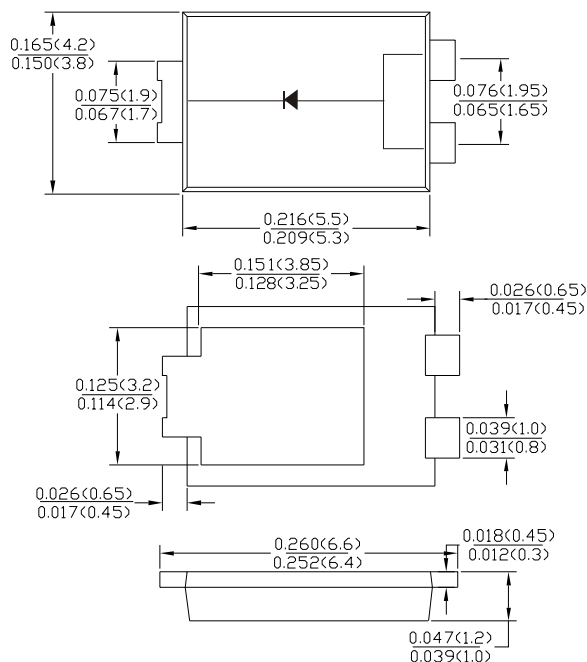
### Features

- Schottky Barrier Chip
- High Thermal Reliability
- Patented Super Barrier Rectifier Technology
- High Forward Surge Capability
- Ultra Fow Power Loss,High Efficiency
- Excellent High Temperature Stability
- plastic material-UL flammability 94V-0

### Mechanical Data

- Case: TO-277B, molded plastic
- Terminals:Plated Leads Solderable per MIL-STD-202,Method 208
- Polarity:Cathode Band
- Mounting Position:Any
- Marking:Type Number
- Lead Free:For RoHS/Lead Free Version

### TO-277B



dimensions in inches and (millimeters)

### Maximum Ratings and Electrical Characteristics @T<sub>A</sub> =25°C unless otherwise specified

Single Phase,half wave,60Hz,resistive or inductive load.For capacitive load,derate current by 20%.

Parameter	Symbol	SR1045L	SR1050L	SR1060L	SR1080L	Unit
Peak Repetitive Reverse Voltage	V <sub>RRM</sub>					
Working Peak Reverse Voltage	V <sub>RWM</sub>	45	50	60	80	V
DC blocking voltage	V <sub>DC</sub>					
RMS Rectified Voltage	V <sub>R(RMS)</sub>	28	35	42	56	V
Average Rectified Output Current (Note1)	I <sub>F(AV)</sub>	10				A
Non-Repetitive Peak Forward Surge8.3ms Single Half Sine-Wave Superimposed on rated load(JEDEC Method) (Note2)	I <sub>FSM</sub>	275				A
I <sup>2</sup> t Rating for Fusing (t < 8.3ms)	I <sup>2</sup> t	313.844				A <sup>2</sup> s
Forward Voltage Drop T <sub>A</sub> =25°C @ I <sub>F</sub> =10A	V <sub>FM</sub>	0.42	0.45	0.50	0.75	V
Peak Reverse Curent T <sub>A</sub> =25°C At Rated DC Blocking Voltage T <sub>A</sub> =100°C	I <sub>R</sub>	0.3 15				mA
Typical Thermal Resistance Junctionto Ambient	R <sub>θJA</sub> R <sub>θJL</sub>	80 15				°C/W
Operating junction temperature range	T <sub>J</sub>	-55 to +150				°C
storage temperature range	T <sub>STG</sub>	-55 to +150				°C

Note:1.Valid Provided that are kept at ambient temperature at a distance of 9.5mm from the case.

2.Fr-4pcb.2oz.Copper,minimum recommend pad layout .18.8mm×14.4.Anode pad dimensions 5.6mm×14.4mm.

Fig.1 - Forward Current Derating Curve

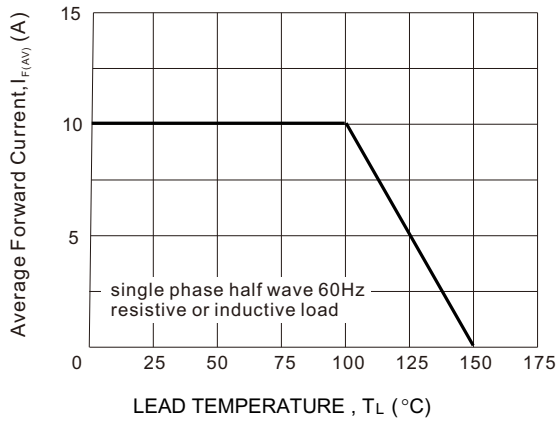


Fig.2 : Instantaneous Forward Voltage

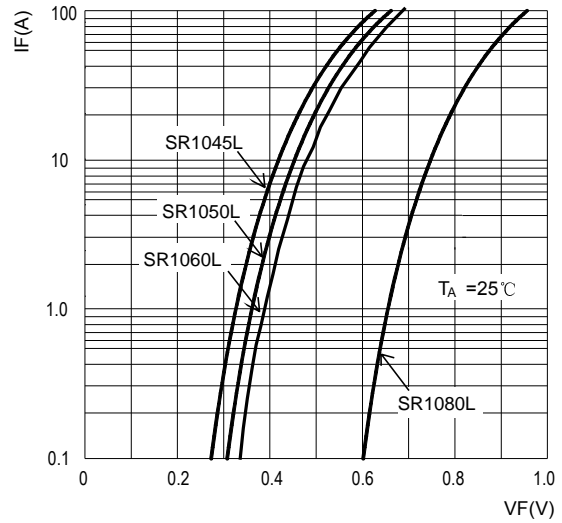


Fig.3: Surge Forward Current Capacity

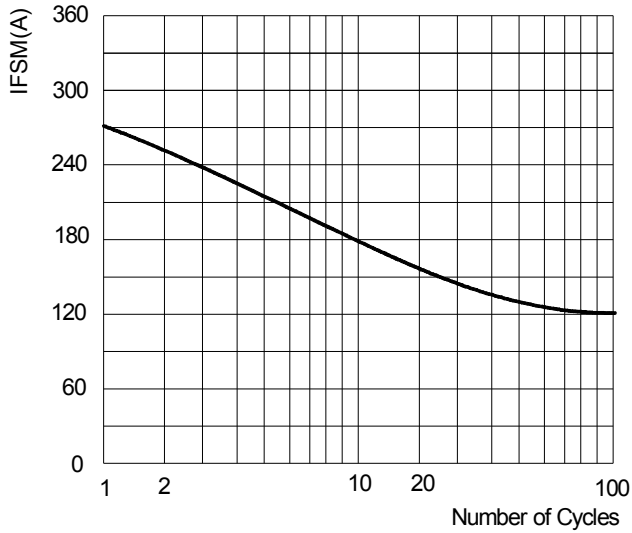


Fig.4: Typical Reverse Characteristics

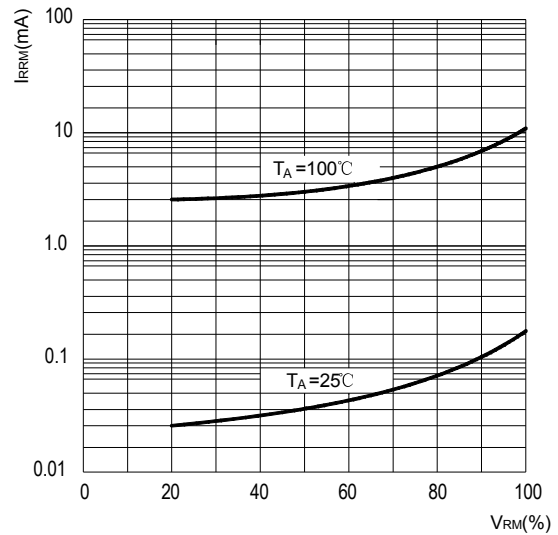
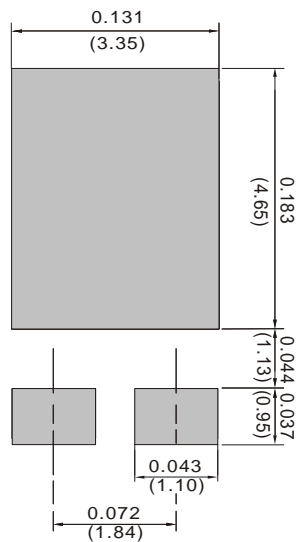


FIG.5 MOUNTING PAD LAYOUT



### Important Notice and Disclaimer

- Reproducing and modifying information of the document is prohibited without permission from DIYI.
- DIYI reserves the right to make changes to this document and its products and specifications at any time without notice. Customers should obtain and confirm the latest product information and specifications before final design, purchase or use.
- DIYI disclaims any and all liability arising out of the application or use of any product including damages incidentally and consequentially occurred.
- DIYI does not assume any and all implied warranties, including warranties of fitness for particular purpose, non-infringement and merchantability.
- Applications shown on the herein document are examples of standard use and operation. Customers are responsible in comprehending the suitable use in particular applications.  
DIYI makes no representation or warranty that such applications will be suitable for the specified use without further testing or modification.
- The products shown herein are not designed and authorized for equipments requiring high level of reliability or relating to human life and for any applications concerning life-saving or life-sustaining, such as medical instruments, transportation equipment, aerospace machinery et cetera. Customers using or selling these products for use in such applications do so at their own risk and agree to fully indemnify DIYI for any damages resulting from such improper use or sale.
- Since DIYI uses lot number as the tracking base, please provide the lot number for tracking when complaining.