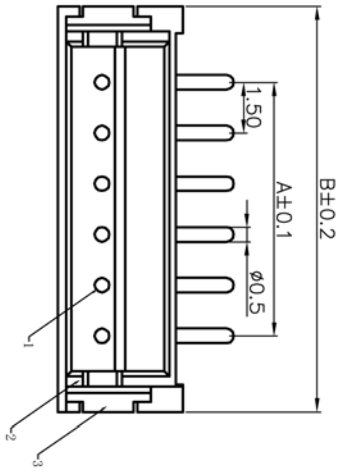
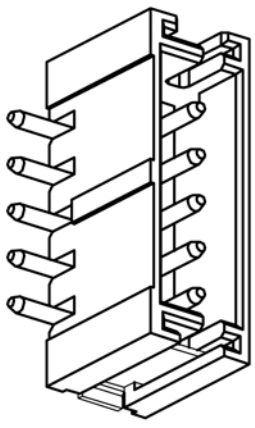
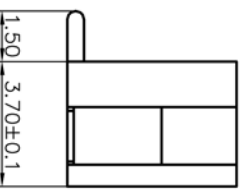
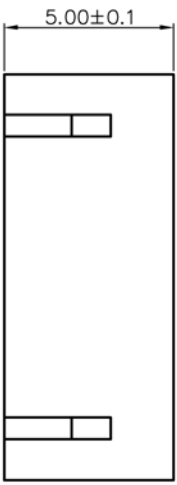
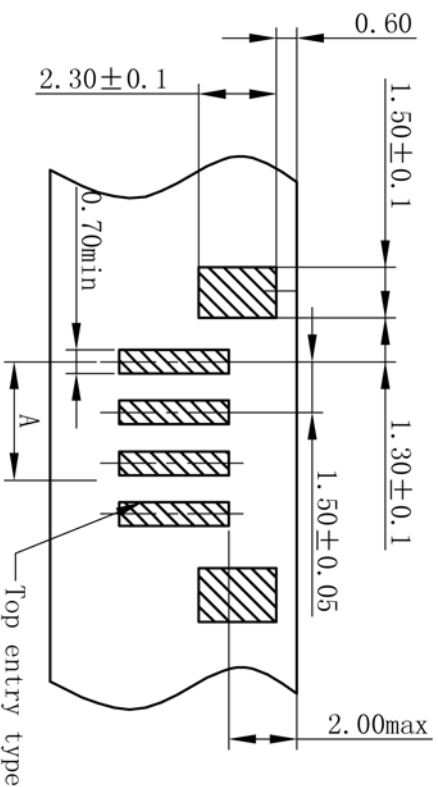


序号	名称	材料
1	插针	黄铜 (镀锡)
2	底座	LCP (UL94-0)
3	焊片	磷青铜 (镀锡)

- 1 Current rating: 1A AC/DC (AWG #26)
 - 2 Voltage rating: 50V AC/DC
 - 3 Temperature range: -25°C to 85°C
 - 4 Contact resistance: Initial value/20m Ω max Electrical properties
 - 5 Insulation resistance: 100M Ω min
 - 6 Withstanding voltage: 500V AC/minute
 - 7 Applicable wire: AWG #30 to #26
- Environmental controls
- 1 Banned contains SS - 00259 are restricted substances.
 - 2 The corresponding issued by SGS or ITS top-aes data.
- Not the material in a list, and validity.



孔位 poles	A	B
2	1.50	6.00
3	3.00	7.50
4	4.50	9.00
5	6.00	10.50
6	7.50	12.00
7	9.00	13.50
8	10.50	15.00
9	12.00	16.50
10	13.50	18.00
11	15.00	19.50
12	16.50	21.0



博穆电子有限公司

尺寸公差	角度公差	品名: ZH-nAB	设计
.X ±0.1	.X° ±0.1°	图号:	审核
.XX ±0.05	.XX° ±0.05°	比例: --	批准
.XXX ±0.005	.XXX° ±0.005°	页数: 1/1	版本: A

版次	日期	内容
A1	08-05-01	