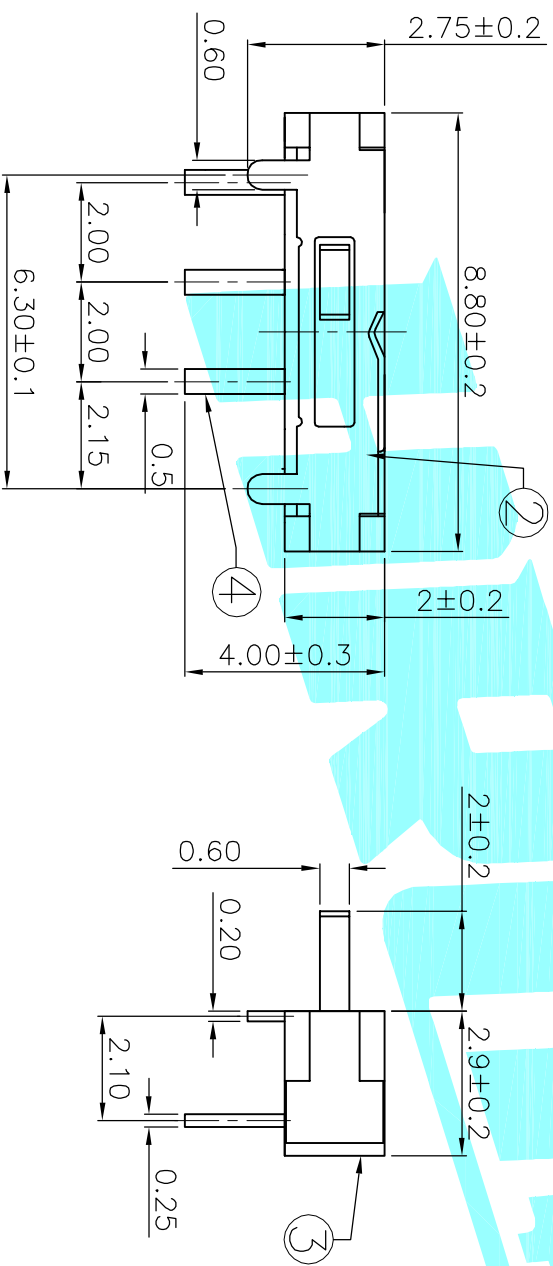


PCB Layout (Pattern side)

Circuit Diagram



NOTE:

Operating force: 150±100gf

ITEM	PART NAME	TER'NO.	QTY.	MATERIAL	FINISHING	REMARK
⑤	Spring	—	1	SUS	Natural	—
⑤	Contact Spring	—	1	Beryllium copper	Ag Plated	—
④	Terminal	—	3	Brass Strip	Ag Plated	—
③	Base	—	1	NYLON	Black	—
②	Cover	—	1	SUS	Natural	—
①	KNOB	—	1	NYLON	White	—

APPROVALS		DATE	TITLE:	
DRAWN	J.X.Zhang	2013/9/25	TOGGLE SWITCHES	
CHECKED			ELECTRONICS CO.,LTD	
APPROVALS			HROE	

ECN NO.	REV.	DATE.	DESCRIPTION.	CHANGE.	CHECK.	APPRO.
	A		NEW			
TOLERANCES ARE			30±0.15	±0.30	ANGLE	PART NO.
			10~30	±0.20		K3-1286L-F2
			5~10	±0.15	±2°	SCALE: 1:1
			~5	±0.10		DRAWING NO.
						PROJ: 1 OF 1