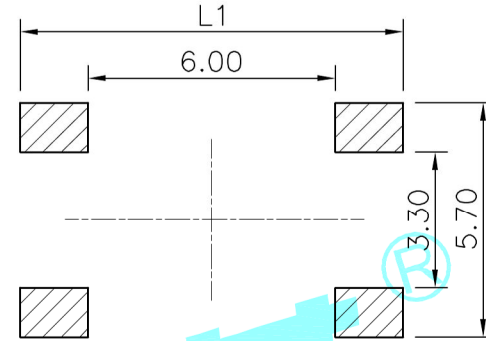
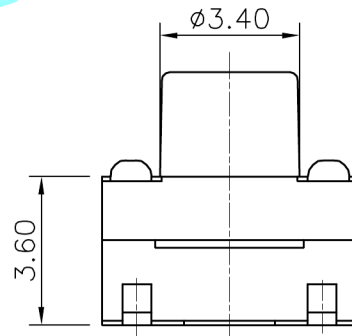
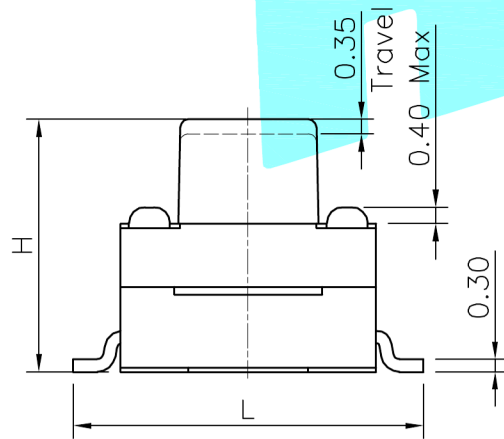
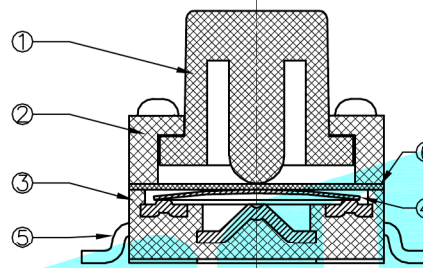
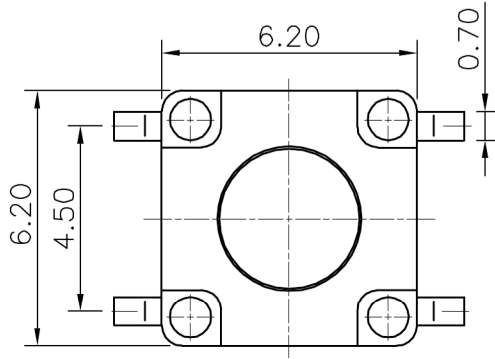


Circuit Diagram



PCB Layout (Pattern side)



NO.2	
PART NO	vigor
4	250±30
5	350±50

NO.3	
PART NO	MATERIAL/QTY
S	SUS/1PC
C	C5210/1PC
D	SUS/2PCS
F	C5210/2PCS

NO.4		
PART NO	L	L1
A	8	10
B	8.5	11
C	9	11
D	9.5	12
E	10	12

NO.5-NO.6	
PART NO	NOTE
01~99	SERIAL NUMBER

NO.1			
PART NO	H	PART NO	H
A	4.3	O	11
B	4.5	P	11.5
C	5	Q	12
D	5.5	R	12.5
E	6	S	13
F	6.5	T	13.5
G	7	U	14
H	7.5	V	15
I	8	W	16
J	8.5	X	17
K	9	Y	18
L	9.5	Z	19
M	10	1	15.5
N	10.5	2	16.5

⑥	Waterproof Silicone	—	1	Silica gel	Yellow	—
⑤	Terminal	—	4	Brass(0.3t)	Plating silver	—
④	Contact	—	1	F.Ag/C5210	Natural	—
③	Base	—	1	Nylon	Black	—
②	Cover	—	1	Nylon	Black	—
①	Keystoke	—	1	Nylon	Black	—
ITEM	PART NAME	TER'NO.	QTY.	MATERIAL	FINISHING	REMARK

APPROVALS			DATE		 ELECTRONICS CO.,LTD	
DRAWN	J.X.Zhang	2013/7/17				
CHECKED			TITLE:		TACT SWITCHS	
APPROVALS			PART NO.		K2-1839SP-□□□□-□□	
TOLERANCES ARE			30~以下	±0.30	ANGLE	UNIT: mm
			10~30	±0.20		
			5~10	±0.15		
			~ 5	±0.10		
			±2'	SCALE: 1:1	PROJ:	
DRAWING NO.					SHEET 1 OF 1	

ECN NO.	REV.	DATE.	DESCRIPTION.	CHANGE.	CHECK.	APPRO.
	A		NEW			