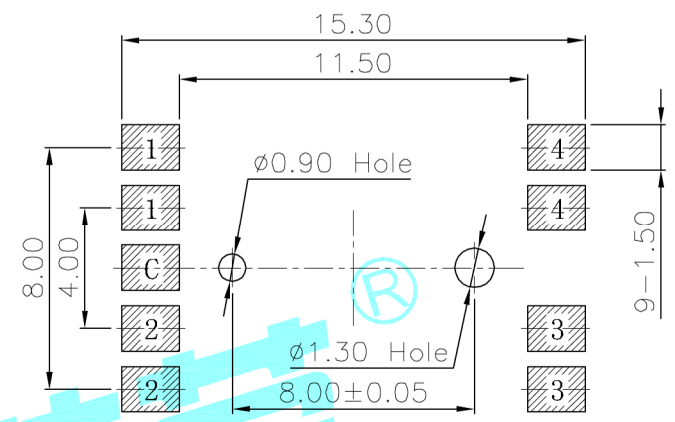
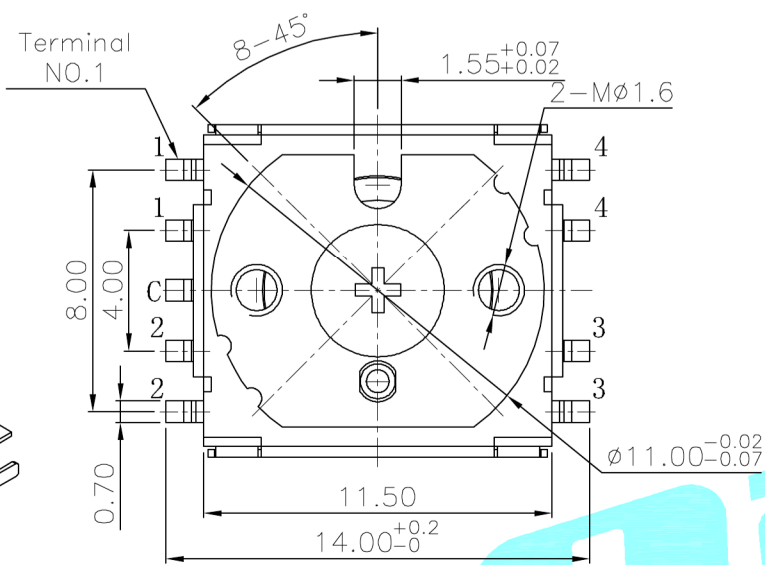
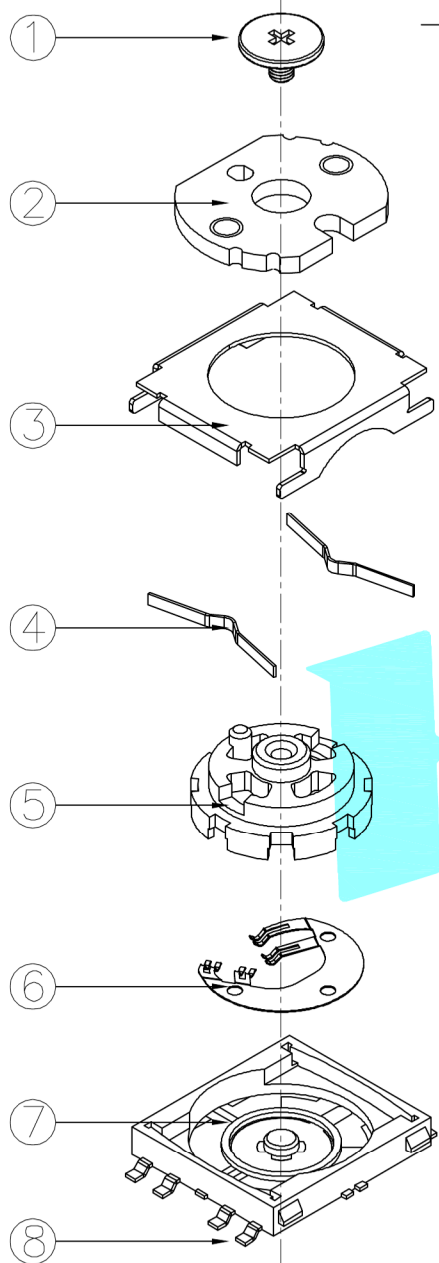
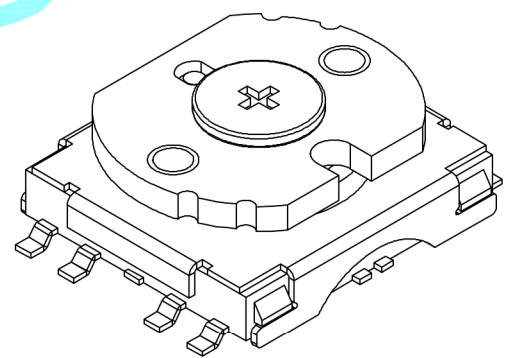
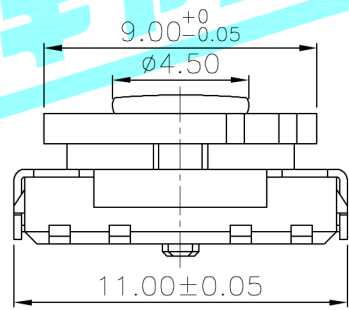
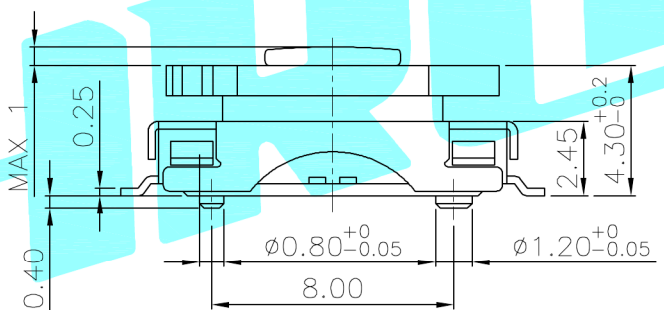


**ROHS**

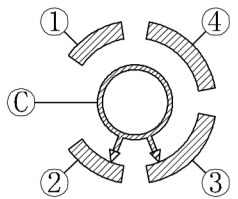
<http://www.smtswitch.com>



PCB Layout(Pattern Side)



| Terminal | Direction |   |   |   |   |   |   |   |
|----------|-----------|---|---|---|---|---|---|---|
|          | 1         | 2 | 3 | 4 | 5 | 6 | 7 | 8 |
| C1       |           |   |   |   | ● | ● |   |   |
| C2       | ●         |   |   |   |   |   |   | ● |
| C3       | ●         | ● |   |   |   |   |   |   |
| C4       |           |   | ● | ● | ● |   |   |   |



Circuit Diagram

NOTE:  
Operating Force: 200±20gf

| ⑧    | Terminal      | —       | 9    | Brass(0.25t) | Plating silver | —      |
|------|---------------|---------|------|--------------|----------------|--------|
| ⑦    | Base          | —       | 1    | PPA          | Brown          | —      |
| ⑥    | Contact       | —       | 1    | Brass        | Plating silver | —      |
| ⑤    | Knob          | —       | 1    | PP66         | Black          | —      |
| ④    | Spring Plate  | —       | 1    | SUS          | Natural        | —      |
| ③    | Cover         | —       | 1    | SUS          | Natural        | —      |
| ②    | Locking Plate | —       | 1    | SECC         | Plating Nickel | —      |
| ①    | Bolt          | —       | 1    | H62          | Plating Nickel | —      |
| ITEM | PART NAME     | TER'NO. | QTY. | MATERIAL     | FINISHING      | REMARK |

| APPROVALS      |           | DATE     |       | <br>ELECTRONICS CO.,LTD |              |            |        |
|----------------|-----------|----------|-------|-------------------------|--------------|------------|--------|
| DRAWN          | J.X.Zhang | 2013/8/7 |       |                         |              |            | TITLE: |
| APPROVALS      |           |          |       | PART NO.                | K1-1537SA-01 |            |        |
| TOLERANCES ARE |           | 30~以上    | ±0.30 | ANGLE                   | UNIT: mm     | SCALE: 1:1 | PROJ:  |
|                |           | 10~30    | ±0.20 |                         |              |            |        |
|                |           | 5~10     | ±0.15 | ±2'                     | DRAWING NO.  | SHEET      | 1 OF 1 |
|                |           | ~ 5      | ±0.10 |                         |              |            |        |

| ECN NO. | REV. | DATE. | DESCRIPTION. | CHANGE. | CHECK. | APPRO. |
|---------|------|-------|--------------|---------|--------|--------|
| —       | A    | —     | NEW          | —       | —      | —      |