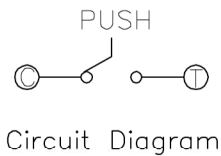


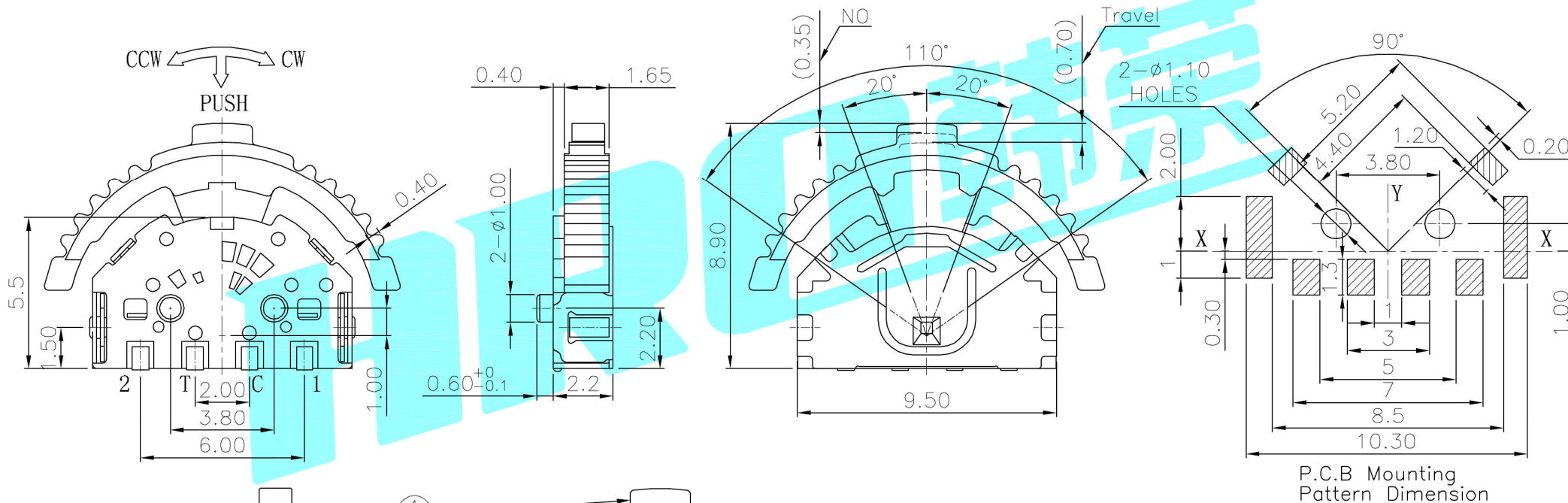
| TER | ANG. | 0° (▨=NO) | | | |
|-----|------|-----------|-------|-------|-------|
| | | (20°) | (15°) | (15°) | (20°) |
| ① | | ▨ | | | |
| ② | | | | | ▨ |
| ③ | | ▨ | ▨ | ▨ | ▨ |

CCW ← → CW

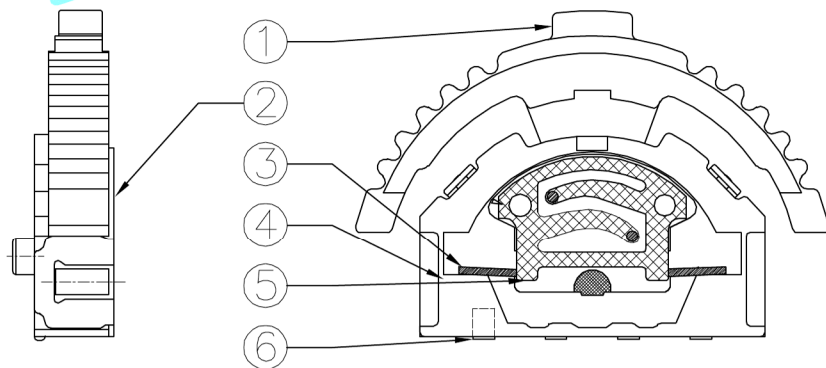
CODE TABLE



NOTE:
Operating Force:
lever portion 70 ± 40 gf
Push portion 250 ± 40 gf



P.C.B Mounting Pattern Dimension



| ITEM | PART NAME | TER'NO. | QTY. | MATERIAL | FINISHING | REMARK |
|------|-----------|---------|------|--------------|----------------|--------|
| ⑥ | Contact | — | 1 | F.Ag/Brass | — | — |
| ⑤ | Terminal | — | 5 | Brass(0.15t) | Plating silver | — |
| ④ | Base | — | 1 | Nylon | Black | — |
| ③ | Spring | — | 1 | SUS | — | — |
| ② | Cover | — | 1 | SUS | White | — |
| ① | Keystoke | — | 1 | Nylon | Black | — |

| APPROVALS | | DATE | | HRO 華榮 ELECTRONICS CO.,LTD | | |
|-----------|-----------|----------|--------------|-------------------------------|---|-----------|
| DRAWN | J.X.Zhang | 2013/8/5 | | TITLE: | MULTIFUNCTIONAL SWITCHES | |
| CHECKED | | | | PART NO. | K1-1511SA-01 | |
| APPROVALS | | | | TOLERANCES ARE | 30~以上 ±0.30 10~30 ±0.20 5~10 ±0.15 ~ 5 ±0.10 | ANGLE ±2' |
| | | | | UNIT: mm | SCALE: 1:1 | PROJ: |
| ECN NO. | REV. | DATE. | DESCRIPTION. | CHANGE. | CHECK. | APPRO. |
| | A | | NEW | | | |

| ECN NO. | REV. | DATE. | DESCRIPTION. | CHANGE. | CHECK. | APPRO. |
|---------|------|-------|--------------|---------|--------|--------|
| | A | | NEW | | | |

