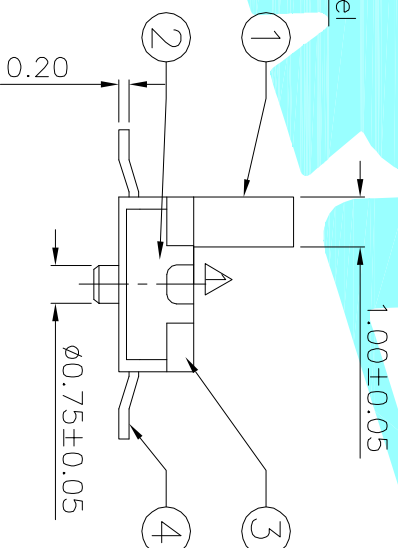
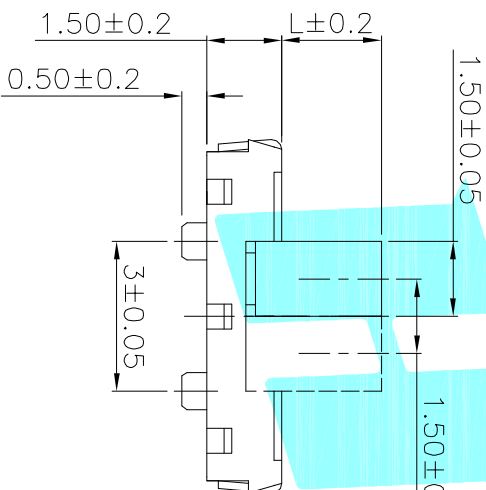


Circuit Diagram



PCB Layout (Pattern side)

PART NO.	L	Operating force
K3-1390S-D2	1	150±50gf
K3-1390S-E1	1.5	
K3-1390S-F2	2	

ITEM	PART NAME	TER'NO.	QTY.	MATERIAL	FINISHING	REMARK
⑤	Contact Spring	—	2	Beryllium copper	Ag Plated	—
④	Terminal	—	6	Brass Strip	Ag Plated	—
③	Base	—	1	NYLON	Black	—
②	Cover	—	1	SUS	Natural	—
①	KNOB	—	1	NYLON	White	—

APPROVALS		DATE
DRAWN	J.X.Zhang	2013/9/28

CHECKED		TITLE:	
APPROVALS		TOGGLE SWITCHES	
TOLERANCES ARE		SCALE: 1:1	PROJ:
30~12.5	±0.30	UNIT: mm	SHEET 1 OF 1
10~30	±0.20	DRAWING NO.	
5~10	±0.15		
~5	±0.10		

ECN NO.	REV.	DATE.	DESCRIPTION.	CHANGE.	CHECK.	APPRO.
	B					
	A		NEW			