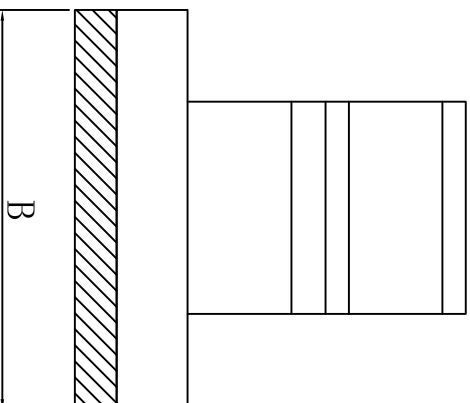
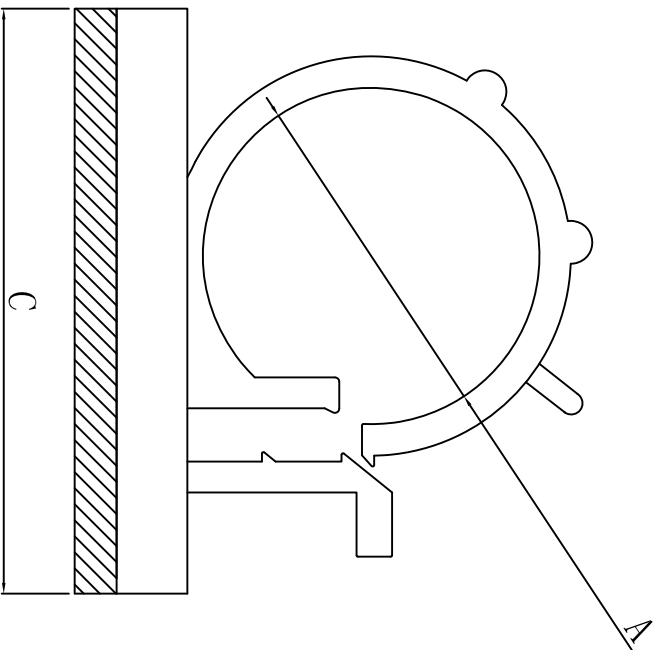


|                |                  |                |            |    |    |
|----------------|------------------|----------------|------------|----|----|
| 料号<br>Part NO. | 品名<br>Parts Name | 型号<br>Part NO. | 束线范围<br>∅A | B  | C  |
| 38-TS-0607     | 二段式扎线固定座         | TS-0607        | 6-7        | 20 | 25 |



特点: 撕开背胶可固定于平板上, 再以束带穿入即可固定  
材料: 尼龙66, 防火等级94V-2



未经并受权不得修改和复印  
该知识产权属于技术质量部

| DIMENSION        | TOLERANCES | REVISION RECORD |          |         |         | DATE      | DWG. BY      | CHK. BY  | UNIT                  | mm |
|------------------|------------|-----------------|----------|---------|---------|-----------|--------------|----------|-----------------------|----|
|                  |            | LTR.            | NEW PART | DWG. BY | CHK. BY |           |              |          |                       |    |
| 0.0              | ±0.5       | A               |          |         |         | 2022/10/8 | lia liang    |          | UNT                   | A  |
| 0.00             |            |                 |          |         |         |           | oulluan      | REV.     |                       |    |
|                  |            |                 |          |         |         |           | wang yichuan | DWG. NO. | HIMA/QR-JZ-38-TS-0607 |    |
| FIRST ANGLE PROJ |            |                 |          |         |         |           |              |          |                       |    |
|                  |            |                 |          |         |         |           |              |          |                       |    |

HIMA 惠华苏州惠华电子科技有限公司