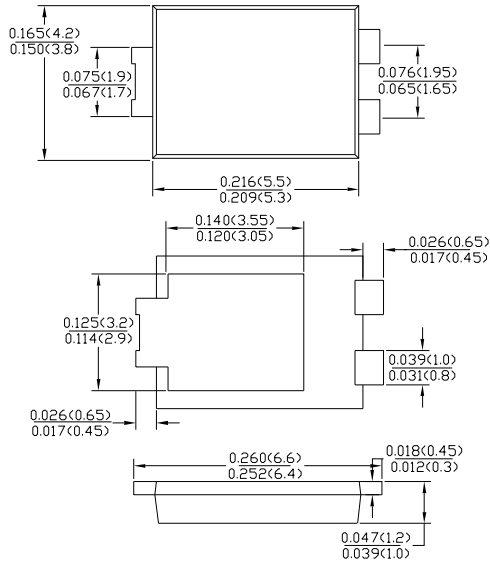




# SB1545L

## 15.0A SCHOTTKY BARRIER RECTIFIER

### T0-277



Dimensions inches and (millimeters)

### Features

- Schottky Barrier Chip
- High Thermal Reliability
- Patented Super Barrier Rectifier Technology
- High Forward Surge Capability
- Ultra Low Power Loss, High Efficiency
- Excellent High Temperature Stability

### Mechanical Data

- Case: T0-277 Molded Plastic
- Terminals: Plated Leads Solderable per MIL-STD-202, Method 208
- Polarity: Cathode Band
- Weight: 0.093 grams (approx.)
- Mounting Position: Any
- Marking: Type Number
- Lead Free: For RoHS/Lead Free Version

### Maximum Ratings and Electrical Characteristics @ $T_A=25^{\circ}\text{C}$ unless otherwise specified

Single Phase, half wave, 60Hz, resistive or inductive load.  
For capacitive load, derate current by 20%.

Characteristic	Symbol	SB1545L	Unit
Peak Repetitive Reverse Voltage Working Peak Reverse Voltage DC Blocking Voltage	$V_{RRM}$ $V_{RWM}$ $V_R$	45	V
RMS Reverse Voltage	$V_{R(RMS)}$	28	V
Average Rectified Output Current (Note 1) @ $T_L = 90^{\circ}\text{C}$	$I_O$	15.0	A
Non-Repetitive Peak Forward Surge Current 8.3ms Single half sine-wave superimposed on rated load (JEDEC Method) @ $T_L = 75^{\circ}\text{C}$	$I_{FSM}$	275	A
Forward Voltage Drop @ $I_F = 15\text{A}, T_j = 25^{\circ}\text{C}$	$V_{FM}$	0.55	V
Peak Reverse Current @ $V_F = 45\text{V}, T_j = 25^{\circ}\text{C}$ At Rated DC Blocking Voltage @ $V_F = 45\text{V}, T_j = 100^{\circ}\text{C}$	$I_{RM}$	0.3 15	mA
Typical Thermal Resistance Junction to Ambient	$R_{\theta JA}$ $R_{\theta JL}$	80 15	$^{\circ}\text{C}/\text{W}$
Operating Temperature Range	$T_j$	-55 to +150	$^{\circ}\text{C}$
Storage Temperature Range	$T_{STG}$	-55 to +150	$^{\circ}\text{C}$

Note: 1. Valid provided that leads are kept at ambient temperature at a distance of 9.5mm from the case.  
2. FR-4 PCB, 2oz. Copper, minimum recommended pad layout .  
3. Polyimide PCB, 2oz. Copper. Cathode pad dimensions 18.8mm x 14.4mm. Anode pad dimensions 5.6mm x 14.4mm.



www.microcode.com

# 15.0A SCHOTTKY BARRIER RECTIFIER SB1545L

Fig.1 - Forward Current Derating Curve

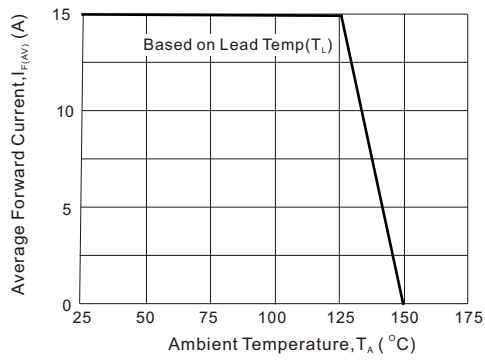


Fig2 : Instantaneous Forward Voltage

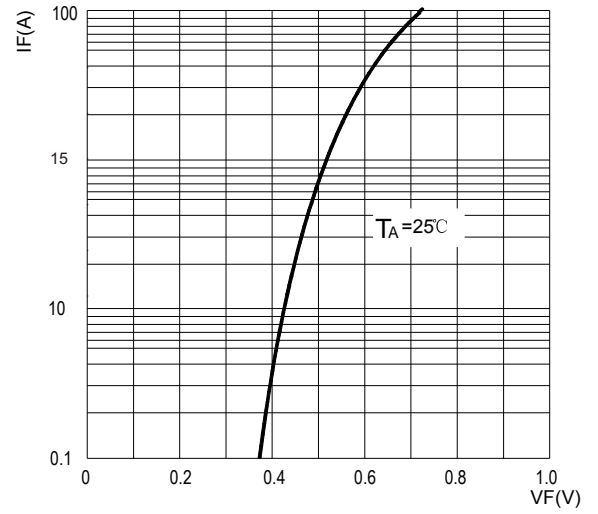


Fig3: Surge Forward Current Capadility

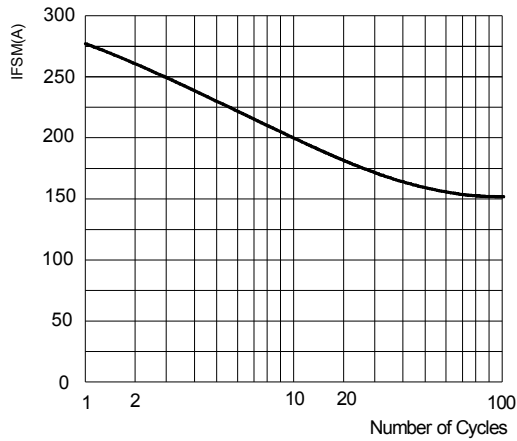
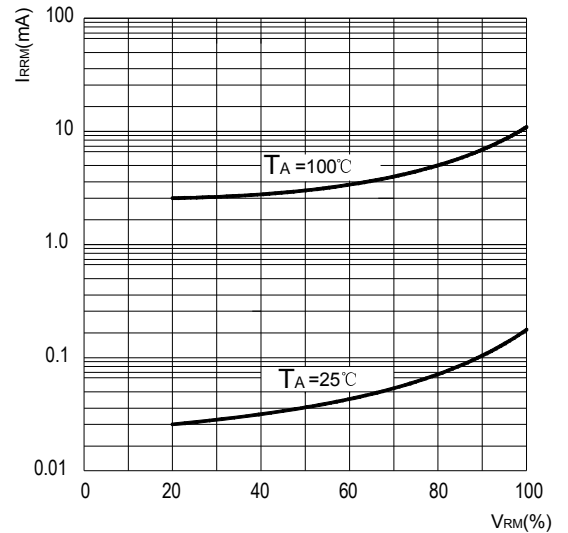


Fig4: Typical Reverse Characteristics



The cruve graph is for reference only, can't be the basis for judgment(曲线图仅供参考)!

