

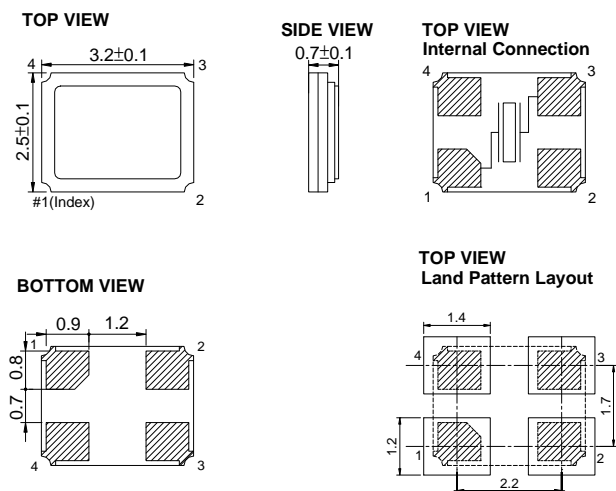
QUARZ CRYSTAL UNIT SPECIFICATION SHEET

CUSTOMER:		PRODUCT TYPE:	QUARTZ CRYSTAL HSX321S 26.000000MHz	20.16.09.29 (RELEASE DATE)
H.ELE P/N:	X3S026000BG1S-HU	CUSTOMER P/N:		
GREEN PRODUCT:		<input checked="" type="checkbox"/> Pb free <input checked="" type="checkbox"/> RoHS Compliant <input checked="" type="checkbox"/> HF-Halogen free <input checked="" type="checkbox"/> REACH Compliant		

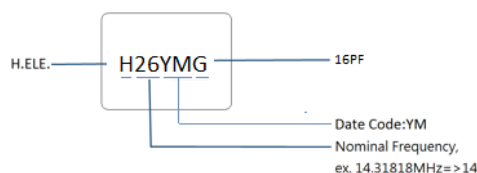
Electrical Specification

Items	Electrical Spec.			Unit	Notes
	Min	Type	Max		
1. Mode of oscillation:	Fundamental				
2. Frequency tolerance	-10		+10	ppm	at 25°C±3°C
3. Equivalent resistance (RR)			40	Ω	SERIES
4. Storage temperature range	-40		+85	°C	
5. Operable temperature range	-20		+70	°C	
6. Temperature stability	-10		+10	ppm	-20°C ~ +70°C
7. Loading capacitance (CL)		16		pF	
8. Drive level (DL)		10	100	μW	
9. Shunt Capacitance (C0)			2.0	pF	
10. Insulation resistance	500			MΩ	at DC 100V
11. Aging:	-3		+3	ppm/Year	
12. Circuit:	Measured in HP/E5100A,S&A 250B				
13. Shocking :	Dropping from 120 cm height 3 times on Concrete floor				
14. Variation :	Frequency less than +/-5 ppm; Resistance less than +/- 15 % or 2ohms max.				

Dimension



Marking



- Laser marking.
- Date Code:

Year	2010	2011	2012	2013	2014	2015	2016	2017	2018	2019
(Y)	2020	2021	2022	2023	2024	2025	2026	2027	2028	2029
Code	0	1	2	3	4	5	6	7	8	9

Month (M)	Jan.	Feb.	Mar.	Apr.	May.	Jun.	Jul.	Aug.	Sep.	Oct.	Nov.	Dec.
Code	A	B	C	D	E	F	G	H	J	K	L	M

Note: