



TIP127

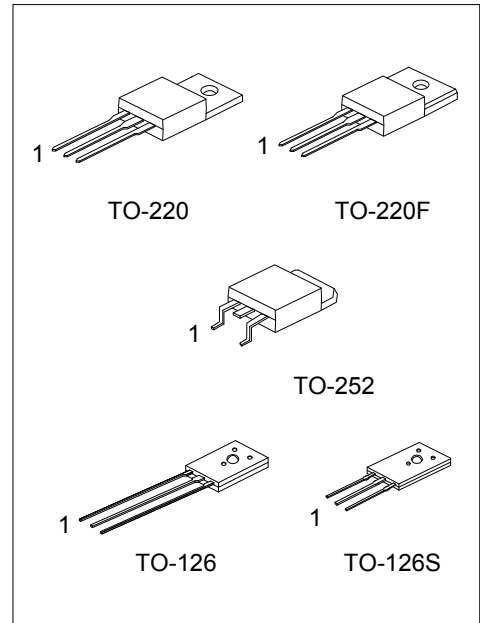
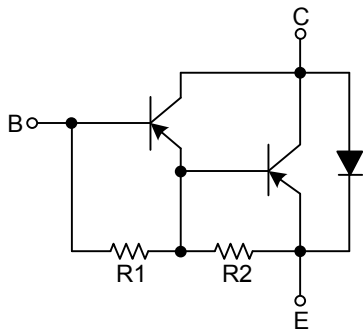
PNP SILICON TRANSISTOR

PNP EPITAXIAL TRANSISTOR

■ DESCRIPTION

The UTC **TIP127** is a PNP epitaxial transistor, designed for use in general purpose amplifier low-speed switching applications.

■ EQUIVALENT TEST ($R_1 \approx 8k\Omega$, $R_2 \approx 0.12k\Omega$)



■ ORDERING INFORMATION

Ordering Number		Package	Pin Assignment			Packing
Lead Free	Halogen Free		1	2	3	
TIP127L-TA3-T	TIP127G-TA3-T	TO-220	B	C	E	Tube
TIP127L-TF3-T	TIP127G-TF3-T	TO-220F	B	C	E	Tube
TIP127L-TN3-T	TIP127G-TN3-T	TO-252	B	C	E	Tape Reel
TIP127L-T60-K	TIP127G-T60-K	TO-126	E	C	B	Bulk
TIP127L-T6S-K	TIP127G-T6S-K	TO-126S	E	C	B	Bulk

Note: Pin assignment: E: Emitter B: Base C: Collector

<p>TIP127L-TA3-T</p> <p>(1)Packing Type (2)Package Type (3)Green Package</p>	<p>(1) K: Bulk, T: Tube (2) TA3: TO-220, TF3: TO-220F, TN3: TO-252 T60: TO-126, T6S: TO-126S (3) L: Lead Free, G: Halogen Free and Lead Free</p>
--	--

■ MARKING

TO-220 / TO-220F / TO-252	TO-126 / TO-126S

■ ABSOLUTE MAXIMUM RATING ($T_C=25^{\circ}\text{C}$, unless otherwise specified)

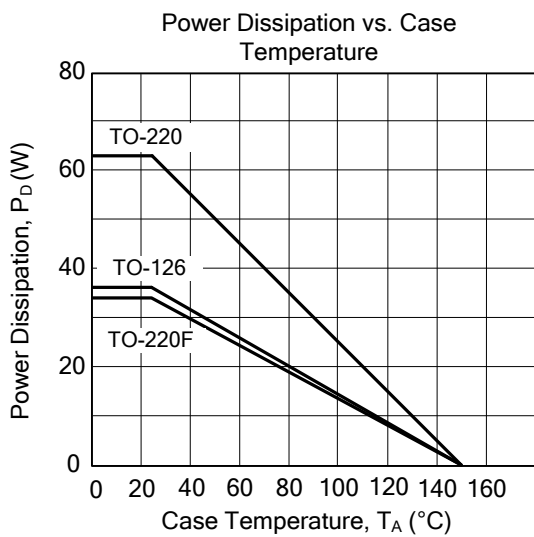
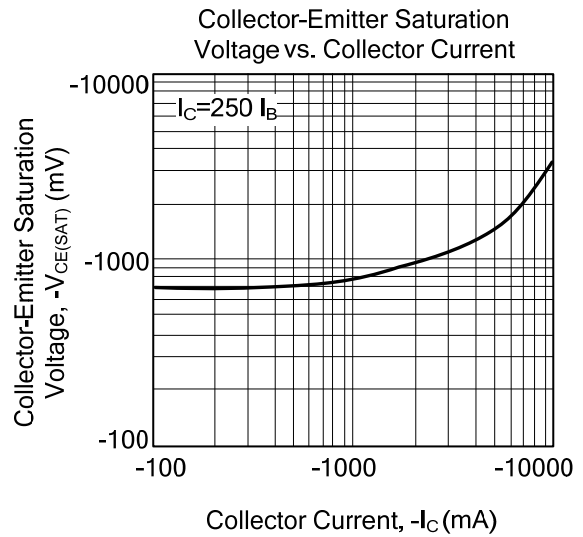
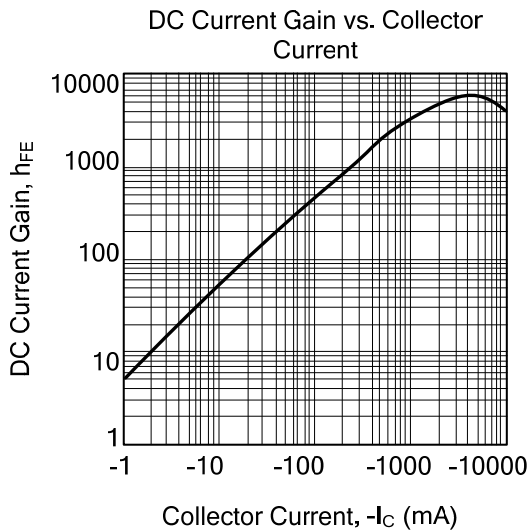
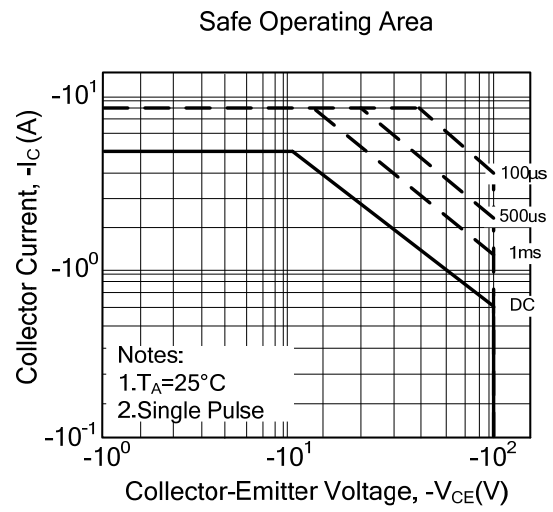
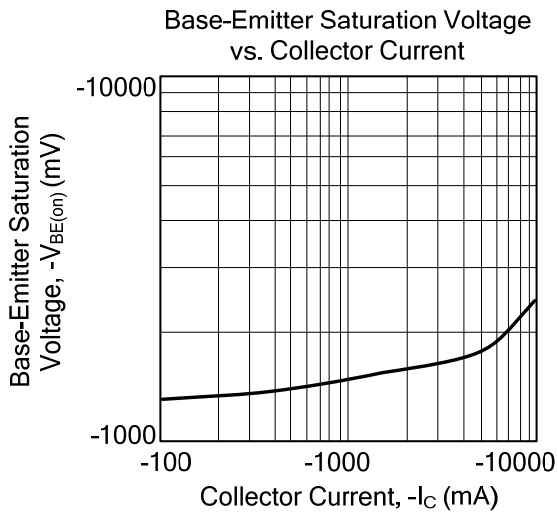
PARAMETER		SYMBOL	RATINGS	UNIT
Collector to Base Voltage		V_{CBO}	-100	V
Collector to Emitter Voltage		V_{CEO}	-100	V
Emitter to Base Voltage		V_{EBO}	-5	V
Collector Current	DC	I_C	-5	A
	Pulse	I_{CP}	-8	A
Power Dissipation	TO-220	P_D	65	W
	TO-220F		34	W
	TO-252		38	W
	TO-126/TO-126S		36	W
Junction Temperature		T_J	+150	$^{\circ}\text{C}$
Storage Temperature		T_{STG}	-55 ~ +150	$^{\circ}\text{C}$

Note: Absolute maximum ratings are the values beyond which the device will be damaged permanently.
Absolute maximum ratings are only stress ratings and it is not implied for functional device operation.

■ ELECTRICAL CHARACTERISTICS ($T_C=25^{\circ}\text{C}$, unless otherwise specified)

PARAMETER	SYMBOL	TEST CONDITIONS	MIN	TYP	MAX	UNIT
Collector-Emitter Breakdown Voltage	BV_{CEO}	$I_C=-10\text{mA}$	-100			V
Collector Cut-Off Current	I_{CBO}	$V_{CB}=-100\text{V}$			-200	μA
Collector-Cut-Off Current	I_{CEO}	$V_{CE}=-50\text{V}$			-500	μA
Emitter Cut-Off Current	I_{EBO}	$V_{EB}=-5\text{V}$			-2	mA
Collector-Emitter Saturation Voltage	$V_{CE(SAT)1}$	$I_C=-3\text{A}, I_B=-12\text{mA}$			-2	V
Collector-Emitter Saturation Voltage	$V_{CE(SAT)2}$	$I_C=-5\text{A}, I_B=-20\text{mA}$			-4	V
Base-Emitter Saturation Voltage	$V_{BE(ON)}$	$V_{CE}=-3\text{V}, I_C=-3\text{A}$			-2.5	V
DC Current Gain	h_{FE}	$V_{CE}=-3\text{V}, I_C=-500\text{mA}$	1000			
		$V_{CE}=-3\text{V}, I_C=-3\text{A}$	1000			

TYPICAL CHARACTERISTICS



UTC assumes no responsibility for equipment failures that result from using products at values that exceed, even momentarily, rated values (such as maximum ratings, operating condition ranges, or other parameters) listed in products specifications of any and all UTC products described or contained herein. UTC products are not designed for use in life support appliances, devices or systems where malfunction of these products can be reasonably expected to result in personal injury. Reproduction in whole or in part is prohibited without the prior written consent of the copyright owner. The information presented in this document does not form part of any quotation or contract, is believed to be accurate and reliable and may be changed without notice.