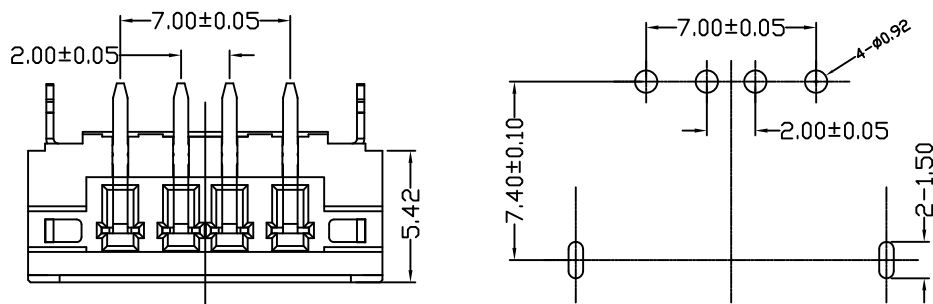
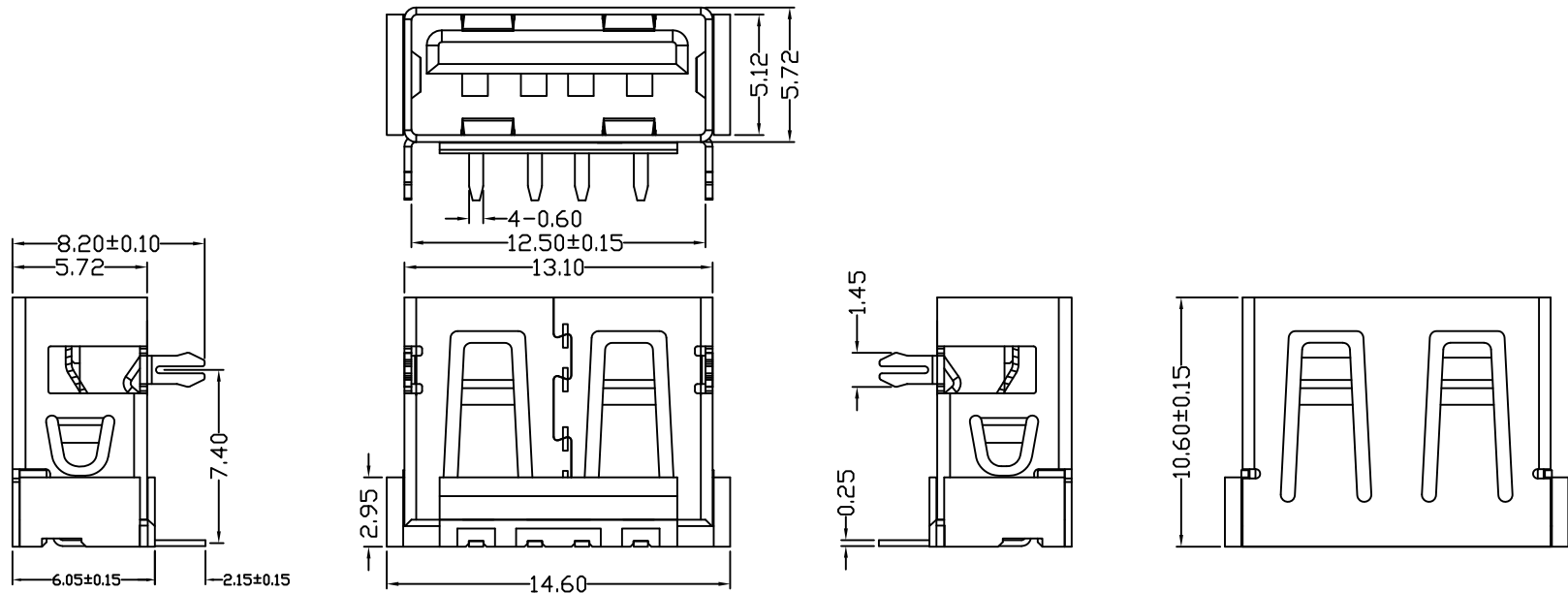


MAPX	MODIFICATION	DATE



PCB HOLES

Specification:

1. Electrical Characteristics:

Dielectric Withstanding Voltage: AC 500V/1MINUTE.
 Insulation Resistance: 1000 MΩ/Min.
 Contact Resistance: 30 mΩ Max.

2. Mechanical Characteristics:

INSERTION FORCE: 30N(3.06Kgf) MAX
 EXTRACTION FORCE: 10~30N(1.02~3.06Kgf)
 Durability: 1500cycles. EXTRACTION FORCE: 10~30N(1.02~3.06Kgf)

3. Material:

Terminal: Phosphor Bronze, C5191/C2680R-EH T=0.25
 Plating: Gold 0.76 um Min plating over 1.27 um Min Nickel underplate, 2.54 um Min Sn selective plating on solder tail;
 Shell: Bronze, C2680R-H =0.30mm
 Plating: Nickel underplate 2.54 um Min;
 Housing: LCP Black

4. Environmental:

Operating Temperature: 0°C to +85°C.

产品图 PRODUCT CHART DWG										
公差一览表 TOLERANCE UNLESS OTHERWISE				单位	MM	制图	Z-Y-B	制图料号		
X.	±0.25	X.	±5.°	UNITS		DRAWING		PRODUCT PART NO.		
.X	±0.20	.X	±2.°	比例	1:1	审核		产品名称	USB A/F 10.0两脚 DIP	
.XX	±0.15	.XX	±1.°	日期	2011.09.02	核准		PRODUCT NO.	角法	版本
.XXX	±0.10	.XXX	±0.5°	DATE		APPD		VIEW	AD	VER