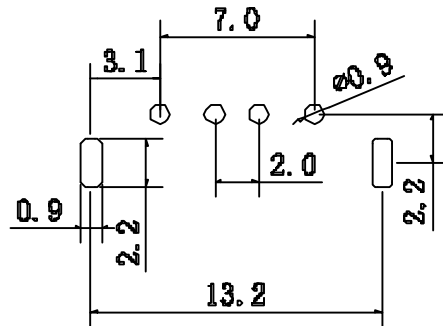
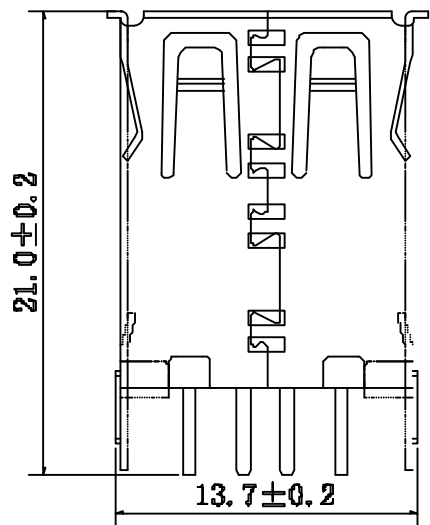
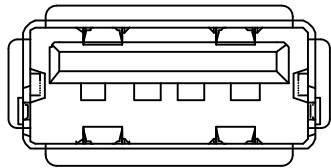
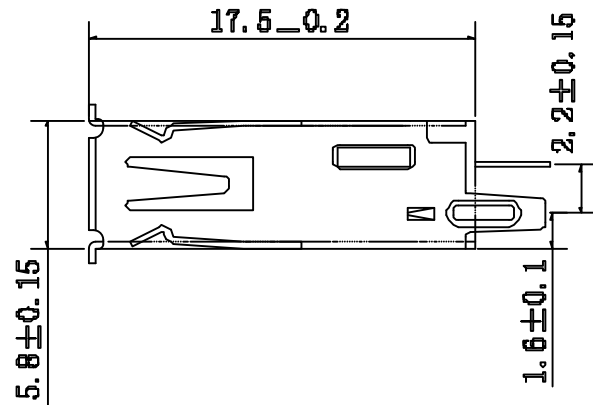
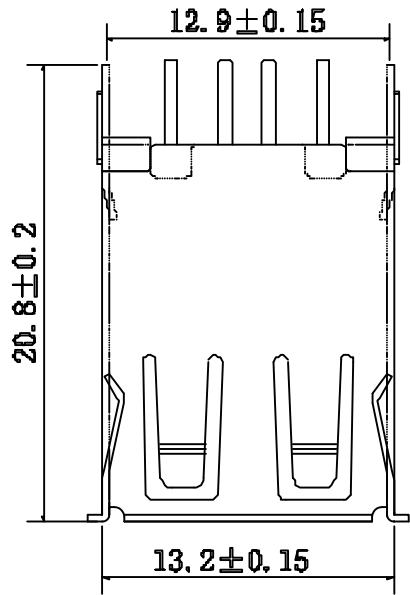


目錄 MAPX	设变内容 MODIFICATION	日期 DATE



PCB LAYOUT

NOTES:

Housing: Thermoplastics,UL94V-0
 Contact: Copper Alloy
 Shell: Copper Alloy/Steel
 Voltage Current Rating:1.5 AMP. 30V AC
 Insulation Resistance:1000MΩ Min.
 Contact Resistance:30 MΩ Max.
 Dielectric Withstanding Voltage:500V AC
 Temperature Range:-35°C to +85°C
 Insulator color: Black/White
 Plastic material:PBT/LCP/Others
 Shell finish:Nickel plated/Tin-Lead plated
 Mechanical:
 Mating Force:3.5KG MAX
 Unmating Force:0.7 KG MIN.
 Contact finish:

- 01: Selective Gold Flash
- 02: Selective Gold 3U"
- 03: Selective Gold 5U"
- 04: Selective Gold 15U"
- 05: Selective Gold 30U"

产品图 PRODUCT CHART DWG		深圳市精拓金电子有限公司								
公差一览表 TOLERANCE UNLESS OTHERWISE				单位 UNITS	MM	制图 DRAWING	Z-Y-B	产品料号 PRODUCT PART NO.	JTJ-USB-AF-09	
X.	±0.25	X'	±5°	比例 SCALE	1:1	审核 CHKD	雷永键	产品名称 PRODUCT NO.	AF180度17.5直脚无边	
.X	±0.20	.X'	±2°							
.XX	±0.15	.XX'	±1°	日期 DATE	2014/10/20	核准 APPD	雷永键	角法 VIEW	版本 VER	A0
.XXX	±0.10	.XXX'	±0.5°							