



Part number	L0(μH) Inductance ±20% @0A(μH)	Rdc (mΩ) @25°C		Heat Rating Current DC Amps. Idc (A)	Saturation Current DC Amps Isat (A)
		Typ.	Max.		
MCW-0650-R22-S1	0.22	1.20	1.40	30.00	50.0
MCW-0650-R40-S1	0.40	3.40	3.80	16.00	30.0
MCW-0650-R47-S1	0.47	3.50	3.90	15.50	27.0
MCW-0650-R56-S1	0.56	3.70	4.20	15.00	22.0
MCW-0650-R68-S1	0.68	4.10	4.80	14.00	21.0
MCW-0650-R82-S1	0.82	5.00	6.00	13.50	20.0
MCW-0650-1R0-S1	1.00	5.60	6.50	13.00	18.0
MCW-0650-1R2-S1	1.20	6.70	7.50	12.00	16.0
MCW-0650-1R5-S1	1.50	7.50	8.50	10.00	14.0
MCW-0650-2R2-S1	2.20	11.00	13.60	9.00	14.0
MCW-0650-3R3-S1	3.30	19.90	20.90	7.00	13.0
MCW-0650-4R7-S1	4.70	26.00	28.00	6.00	12.0
MCW-0650-5R6-S1	5.60	31.50	34.40	5.50	11.0
MCW-0650-6R8-S1	6.80	40.00	43.00	5.00	10.0
MCW-0650-8R2-S1	8.20	45.00	49.00	4.50	9.0
MCW-0650-100-S1	10.00	54.00	60.00	4.10	8.0
MCW-0650-120-S1	12.00	57.00	65.00	3.90	7.0
MCW-0650-150-S1	15.00	74.00	85.00	3.40	6.0
MCW-0650-180-S1	18.00	81.00	95.00	3.00	5.0
MCW-0650-220-S1	22.00	125.00	140.00	2.60	4.5
MCW-0650-330-S1	33.00	160.00	185.00	2.30	4.0
MCW-0650-470-S1	47.00	250.00	280.00	1.80	3.5

※ Features

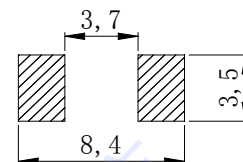
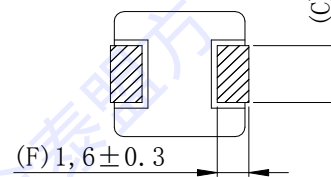
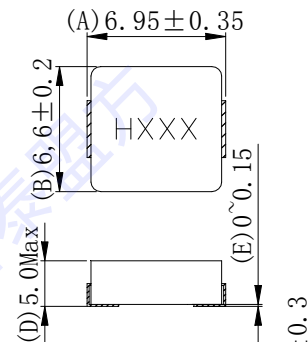
- High performance (Isat) realized by metal dust core.
- Low profile: Thickness max.5.0mm
- Low loss and low resistance
- Capable of corresponding high frequency (3MHz)
- 100% lead (Pb) free meet RoHS sta



※ Application

- DC/DC converters for laptop motherboards/CPU
- Thin type of on-board power supply module for  
Voltage regulator VRM for server

※ Dimensions in inches (unit:mm)



Suggested pad layout  
Dimensions are in mm

※ Note:

- All test data is reference to 25°C ambient.
- Test Condition: 100KHz, 1.0Vrms
- Idc: DC current (A) that will cause an approximate ΔT of 40°C
- Isat : DC current (A) that will cause L0 to drop approximately 20%
- Operat between temperature range -55°C to +125°C  
The part temperature (ambient + temp rise ) should not exceed 125°C under the worst case operating conditions.Circuit design, component.PWB trace size and thickness, airflow and other cooling provision all affect the part temperature.Part temperature should be verified in the end application.
- The rated current as listed is either the saturation current or the heating current depending on which value is lower.

※ Regulation of Part number

MC W = 0650 - 2R2 - S 1  
① ② ③ ④ ⑤ ⑥

- ① Molding Choke;
- ② Mold Categories:W;
- ③ Dimensions(unit:mm):6.0x6.0x5.0;
- ④ Inductance Value:2R2=2.2μH;
- ⑤ The Material Code;
- ⑥ Material Type;