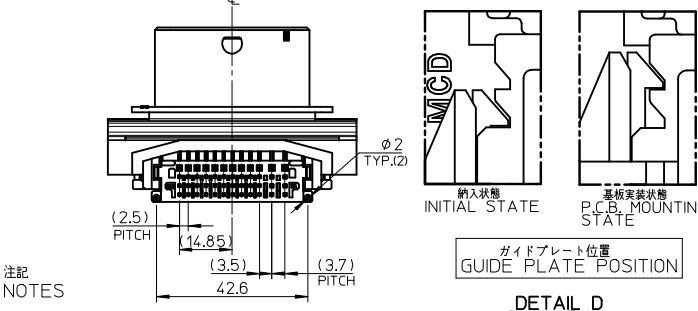
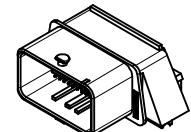


基板穴推奨寸法 (部品実装面)
RECOMMENDED PCB LAYOUT (COMPONENT SIDE)



- 注記
NOTES
- ハウジング、ガイドプレート材料：
ハウジング：PBT、GF30%、黒色 (KEY OPTION : BLACK AND BROWN)
PBT、GF30%、灰色 (KEY OPTION : GRAY)
ガイドプレート：PBT、GF30%、黒色
 - 端子(025,060)材料：銅合金
CONTACT(025,060) MATERIAL : COPPER ALLOY
 - 端子(025,060)のめっき処理：鍍めっき (接点部、テール部)、下地Niめっき
CONTACT(025,060) PLATING : Sn PLATING (CONTACT, SOLDERING AREA), OVER Ni PLATING
 - 推奨基板厚：1.6±0.1mm
RECOMMENDED P.C.B. THICKNESS : 1.6±0.1mm
 - 製品仕様書：PS-64319-001参照
PRODUCT SPECIFICATION: REFER TO PS-64319-001

KEY OPTION		
BLACK	GRAY	BROWN
500762-0481	500762-0482	500762-0483



BROWN	500762-0483
GRAY	500762-0482
BLACK	500762-0481
KEY OPTION	MATERIAL NO.

GENERAL TOLERANCES (UNLESS SPECIFIED)		REVISED EC NO: B DRAWN: INOUE02 2016/01/15 CHKD: SANDO 2016/03/15 APPR: YAMAMOTO 2016/03/15 DESCRIPTION	DIMENSION STYLE MM ONLY	SCALE 1:1	DESIGN UNITS METRIC	THIRD ANGLE PROJECTION
10 UNDER	±0.2		DRAWN BY H. TANAKA	DATE 2006/5/22	TITLE CMC HEADER 48PIN	molex
10 OVER 30 UNDER	±0.25		CHECKED BY MA. YAMAMOTO	DATE 2006/5/22	APPROVED BY A. KANESHIGE	
30 OVER	±0.3		APPROVED BY A. KANESHIGE	DATE 2006/5/22	MATERIAL NO.	SHEET NO. 1 OF 1
ANGULAR	±2 °	SEE TABLE	THIS DRAWING CONTAINS INFORMATION THAT IS PROPRIETARY TO MOLEX INCORPORATED AND SHOULD NOT BE USED WITHOUT WRITTEN PERMISSION			
DRAFT WHERE APPLICABLE MUST REMAIN WITHIN DIMENSIONS						