

Features

- Transient protection for high-speed data lines
IEC 61000-4-2 (ESD) $\pm 15\text{kV}$ (Air)
 $\pm 8\text{kV}$ (Contact)
IEC 61000-4-4 (EFT) 40A (5/50 ns)
Cable Discharge Event (CDE)
- Small package (2.9mm \times 2.8mm \times 1.4mm)
- Protects four data lines
- Low capacitance: 0.7pF Typical (I/O-GND)
- Low leakage current: 0.1 μA @ V_{RWM} (Typical)
- Low clamping voltage
- Each I/O pin can withstand over 1000 ESD strikes for $\pm 8\text{kV}$ contact discharge
- Green Part

General Description

CS0816 is a low capacitance Transient Voltage Suppressor (TVS) designed to provide electrostatic discharge (ESD) protection for high-speed data interfaces. With typical capacitance of 0.7pF only, CS0816 is designed to protect parasitic-sensitive systems against over-voltage and over-current transient events. It complies with IEC 61000-4-2 (ESD), Level 4 ($\pm 15\text{kV}$ air, $\pm 8\text{kV}$ contact discharge), IEC 61000-4-4 (electrical fast transient - EFT) (40A, 5/50 ns), very fast charged device m del (CDM) ESD and cable discharge event (CDE), etc.

CS0816 uses small SOT23-6L package. Each CS0816 device can protect four high-speed data lines. The combined features of low capacitance, small size and high ESD robustness make CS0816 ideal for high-speed data ports and high-frequency lines (e.g., HDMI & DVI) applications. The low clamping voltage of the CS0816 guarantees a minimum stress on the protected IC.

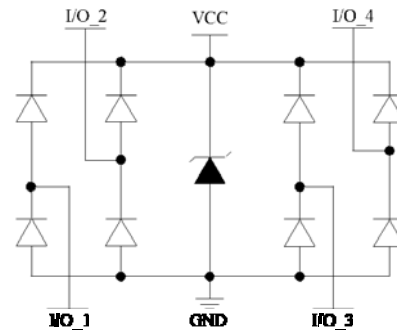
Applications

- Video Graphics Cards
- Desktops, Servers and Notebooks
- IEEE 1394 Ports
- USB2.0 Power and Data Line Protection
- Display Ports
- SIM Ports

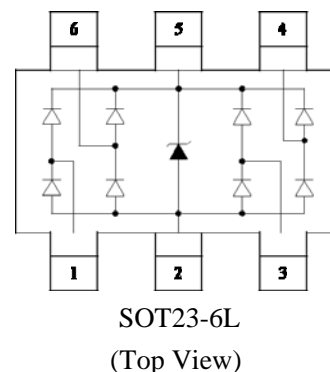
Mechanical Characteristics

- SOT23-6L package
- Flammability Rating: UL 94V-0
- Marking: Part number, Date
- Packaging: Tape and Reel

Circuit Diagram



Pin Configuration

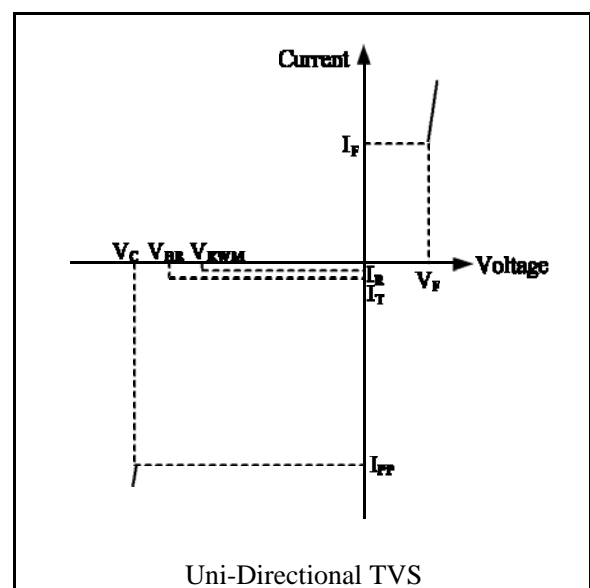


Absolute Maximum Rating

Symbol	Parameter	Value	Units
V_{ESD}	ESD per IEC 61000-4-2 (Air)	±17	kV
	ESD per IEC 61000-4-2 (Contact)	±12	
I_{OPT}	Operating Temperature	-55/+125	°C
I_{STG}	Storage Temperature	-55/+150	°C

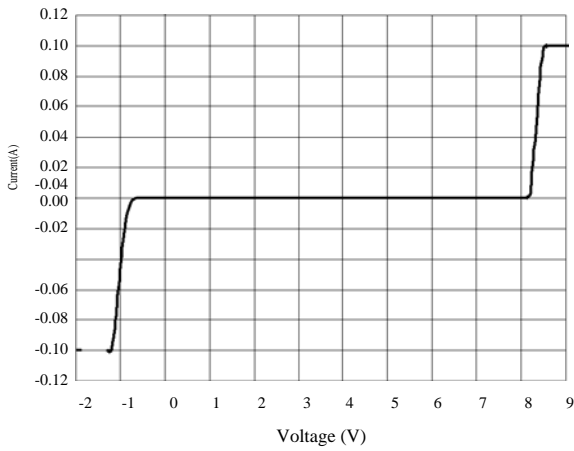
Electrical Characteristics (T = 25° C)

Symbol	Parameter
V_{RWM}	Nominal Reverse Working Voltage
I_R	Reverse Leakage Current @ V_{RWM}
V_{BR}	Reverse Breakdown Voltage @ I_T
I_T	Test Current for Reverse Breakdown
V_C	Clamping Voltage @ I_{PP}
I_{PP}	Maximum Peak Pulse Current
C_{ESD}	Parasitic Capacitance
V_R	Reverse Voltage
f	Small Signal Frequency
I_F	Forward Current
V_F	Forward Voltage @ I_F

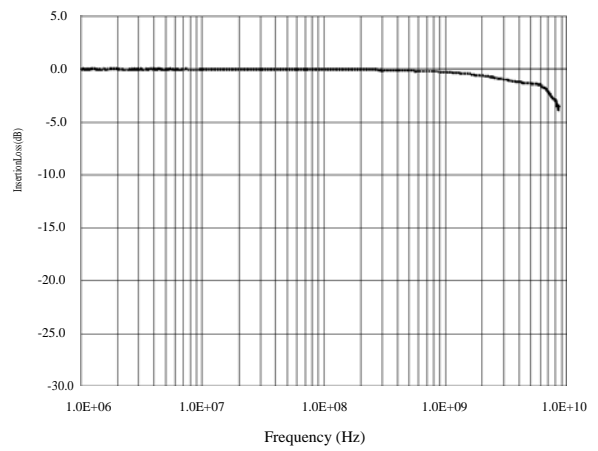


Symbol	Test Co dition	Minimum	Typical	Maximum	Units
V_{RWM}				5.0	V
I_R	$V_{RWM} = 5V, T = 25^\circ C$ Between I/O and GND		0.1	1.0	μA
V_{BR}	$I_T = 1mA$ Between I/O and GND	6.0	8.0	10.0	V
V_C	$I_{PP} = 1A, t_p = 8/20\mu s$ Between I/O and GND			12	V
C_{ESD}	$V_R = 0V, f = 1MHz$ Between I/O and GND		0.7	0.8	pF
C_{ESD}	$V_R = 0V, f = 1MHz$ Between I/O and I/O		0.35		pF

Voltage Sweeping of I/O to GND

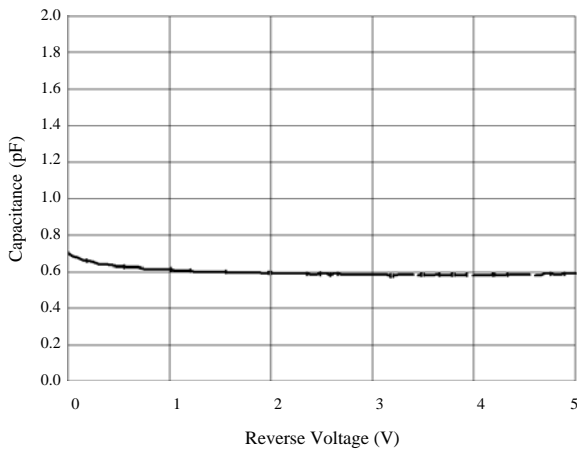


Insertion Loss S21 of I/O to GND

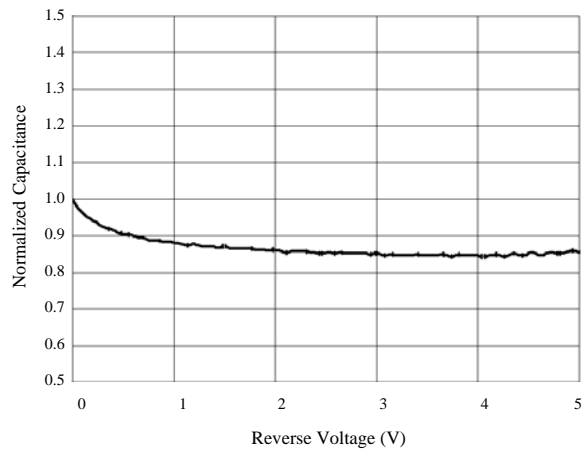


Capacitance vs. Voltage of I/O to GND (f = 1MHz)

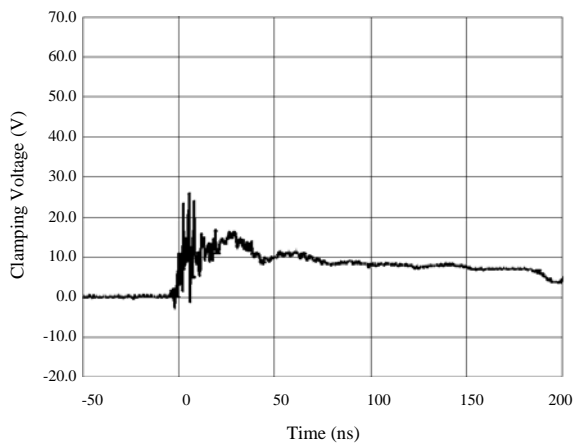
Capacitance vs. Reverse Voltage



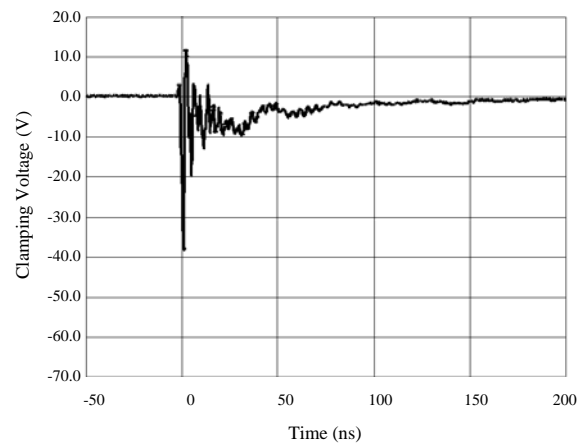
Normalized Capacitance vs. Reverse Voltage



**ESD Clamping of I/O to GND
(+8kV Contact per IEC 61000-4-2)**



**ESD Clamping of I/O to GND
(-8kV Contact per IEC 61000-4-2)**



Application Information

Pin Connection in PCB

CS0816 is capable to provide ESD protection for four data lines simultaneously. The pin connection is shown in Figure 1.

Four parallel data lines, from inner IC to I/O port connector, could connect to CS0816 four I/O pins directly. Pin 2 of CS0816 is the negative reference pin, which should connect to the GND of PCB. The connection wires should be as short as possible in order to minimize the parasitic inductance.

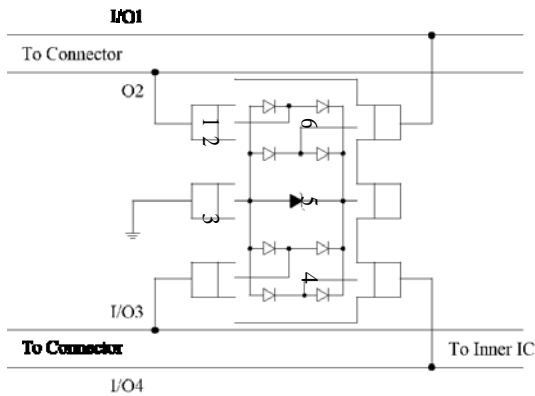


Figure 1 CS0816 pin connection in PCB

PCB Layout Guidelines

For optimum ESD protection and the whole circuit performance, the following PCB layout guidelines are recommended:

- CS0816 GND pin to the PCB GND rail path should be as short as possible. It could reduce the ESD transient return path to GND.
- The vias connecting CS0816 VCC & G D pins to the PCB VCC & GND should be wide.
- Place CS0816 as close to the connector port as possible. It could reduce the parasitic inductance and restrict ESD coupling into adjacent traces.
- Avoid running critical signals near board edges.

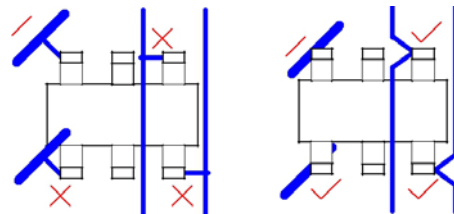
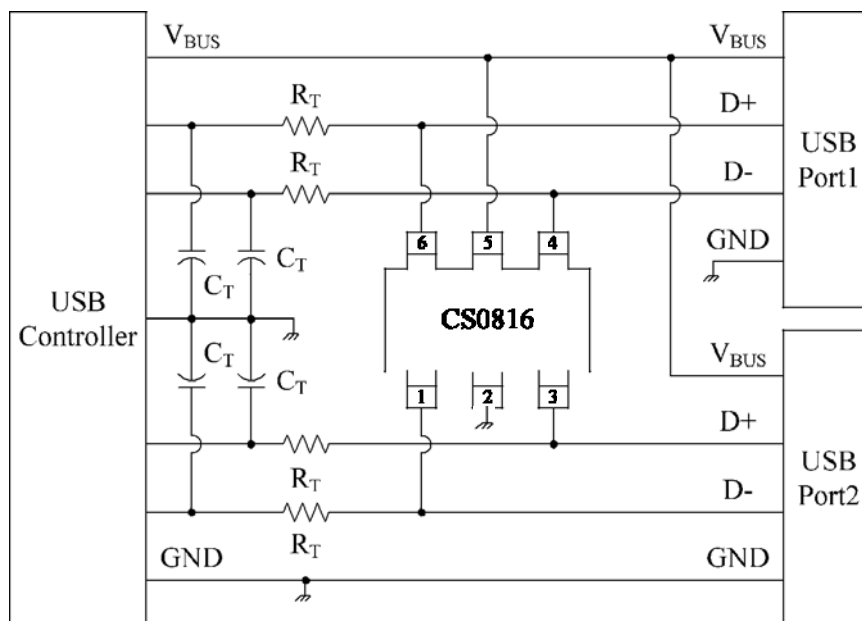
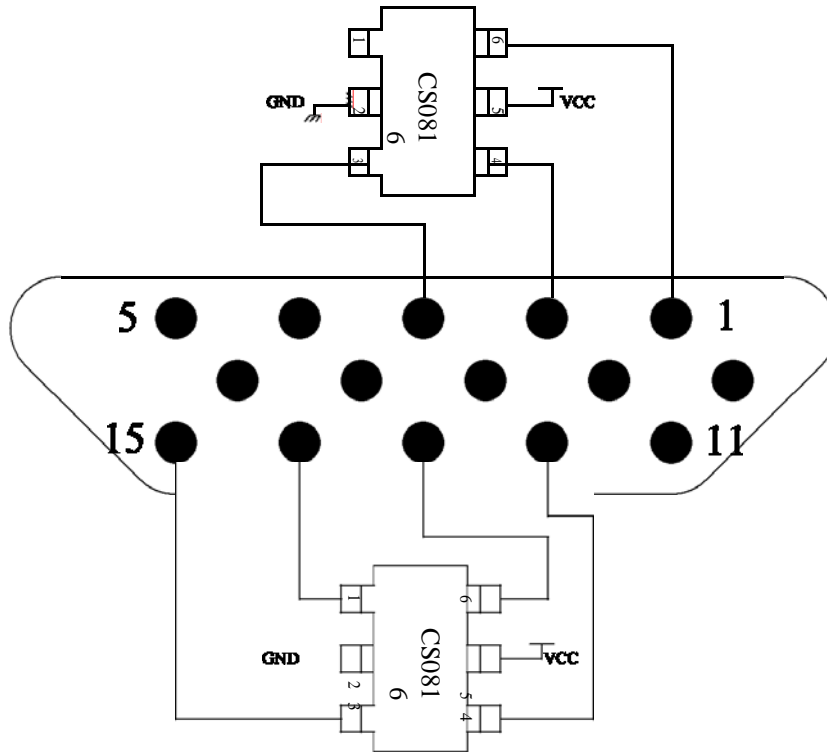


Figure 2 CS0816 Layout Guideline

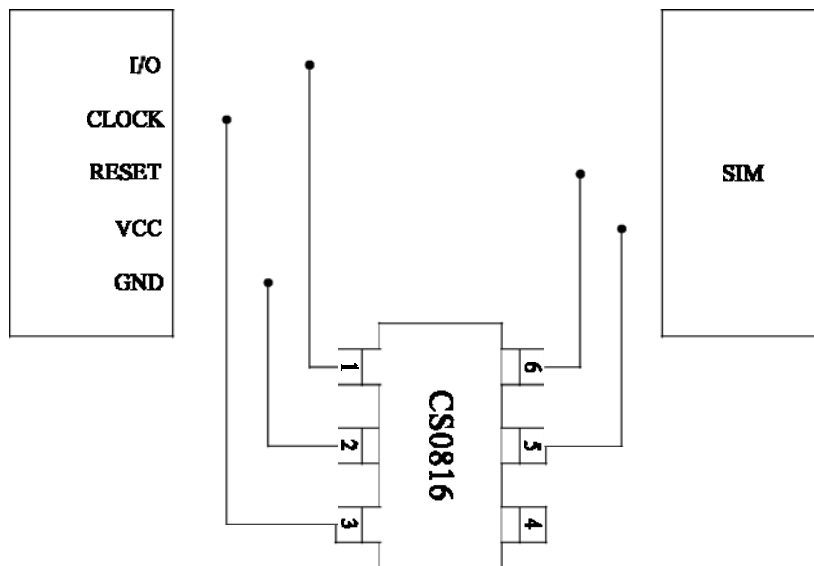
Universal Serial Bus ESD Protection



Application Information (continued)



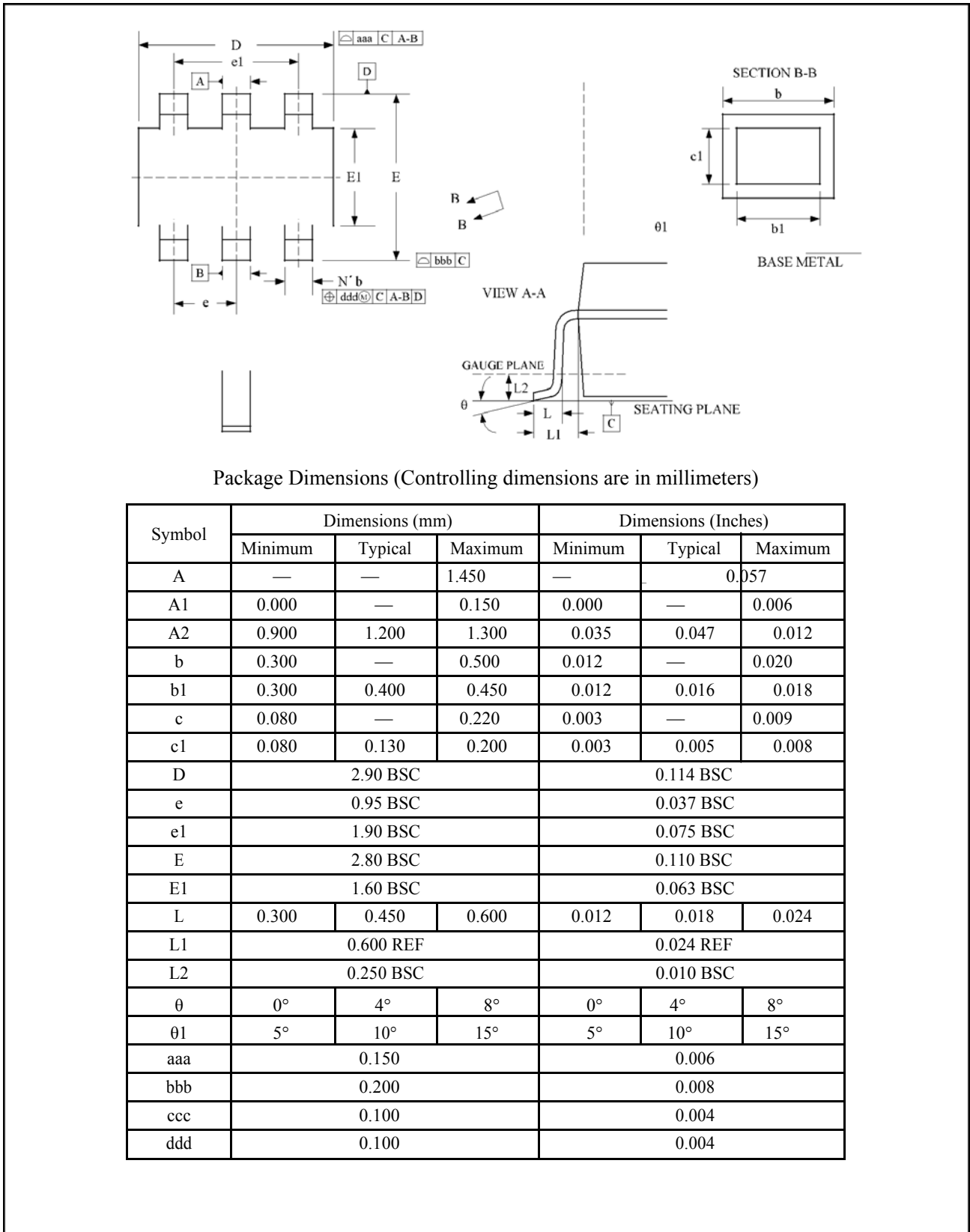
Layout Top View for Video (VGA) Interface with CS0816



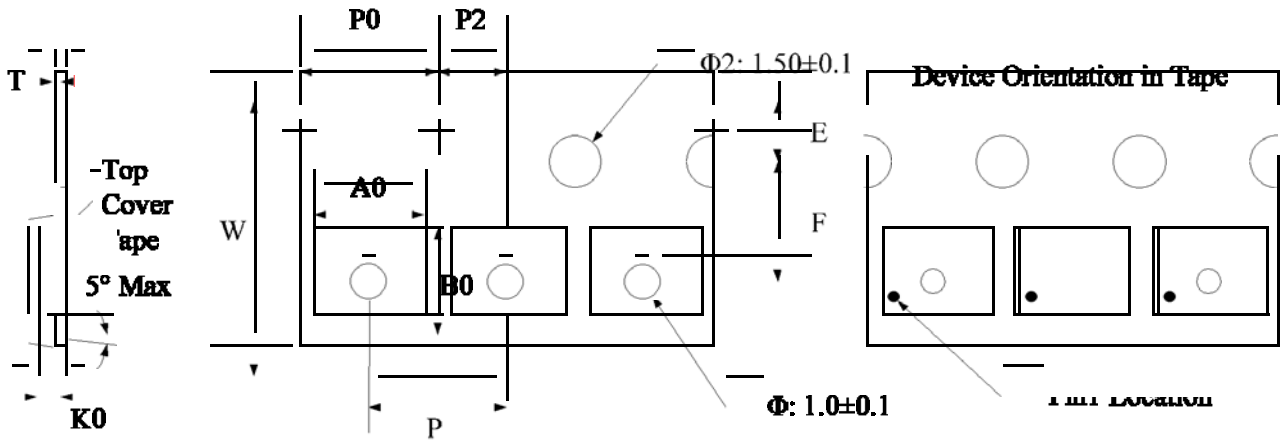
Layout Top View for SIM Port with CS0816

Package Outline

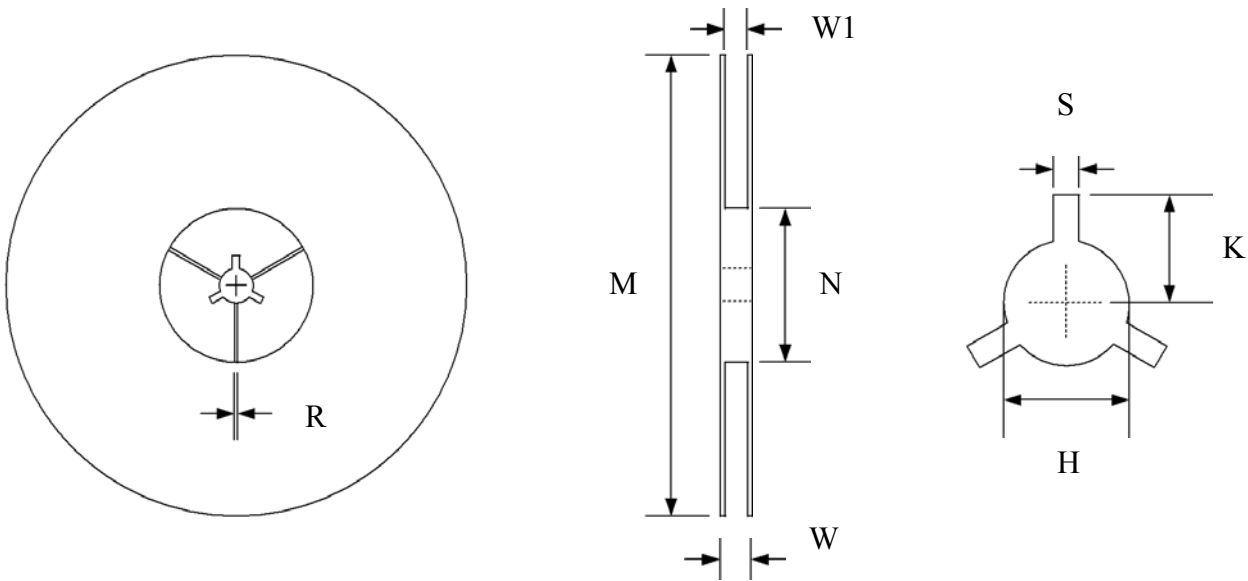
- SOT23-6L package



Tape and Reel Specification

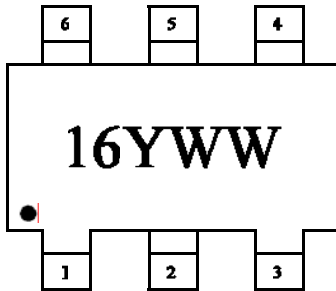


Symbol	W	A0	B0	K0	E	F	P	P0	P2	T
Dimensions (mm)	8.00+0.3 -0.1	3.23±0.05	3.17±0.05	1.37±0.05	1.75±0.1	3.5±0.05	4.0±0.1	4.0±0.1	2.0±0.05	0.25±0.02



Symbol	Reel Size	M	N	W	W1	H	S	K	R
Dimensions (mm)	Φ178	178.0±1.0	60.0±1.0	11.5±0.5	9.0±0.5	13.0±0.5	2.0±0.1	11.0±0.2	1.0±0.05

Marking Codes



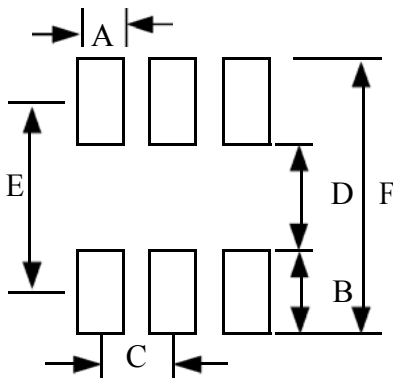
Note:

- (1) "16" is part number, fixed.
- (2) "YWW" is date code. "Y" is the assembly year (2012 is "2"); while "WW" is the assembly week in a year.

Ordering Information

Part Number	Working Voltage	Quantity Per Reel	Reel Size
CS0816	5V	3,000	7 Inch

Footprint: SOT23-6L



Symbol	Dimensions	
	Millimeters	Inches
A	0.60	0.024
B	1.10	0.043
C	0.95	0.037
D	1.40	0.055
E	2.50	0.098
F	3.60	0.141