

# 80V, 50mA OPERATIONAL AMPLIFIERS

## FEATURES

- **WIDE POWER-SUPPLY RANGE:**  
±10V to ±40V
- **HIGH OUTPUT LOAD DRIVE:**  
50mA Continuous
- **WIDE OUTPUT VOLTAGE SWING:** 1V to Rail
- **FULLY PROTECTED:**  
Thermal Shutdown  
Output Current-Limited
- **WIDE OPERATING TEMPERATURE RANGE:**  
–40°C TO +125°C
- **PACKAGE OPTIONS:**  
TO220-7  
DDPACK-7 Surface-Mount

## APPLICATIONS

- PIEZOELECTRIC CELLS
- TEST EQUIPMENT
- AUDIO AMPLIFIERS
- TRANSDUCER DRIVERS
- SERVO DRIVERS

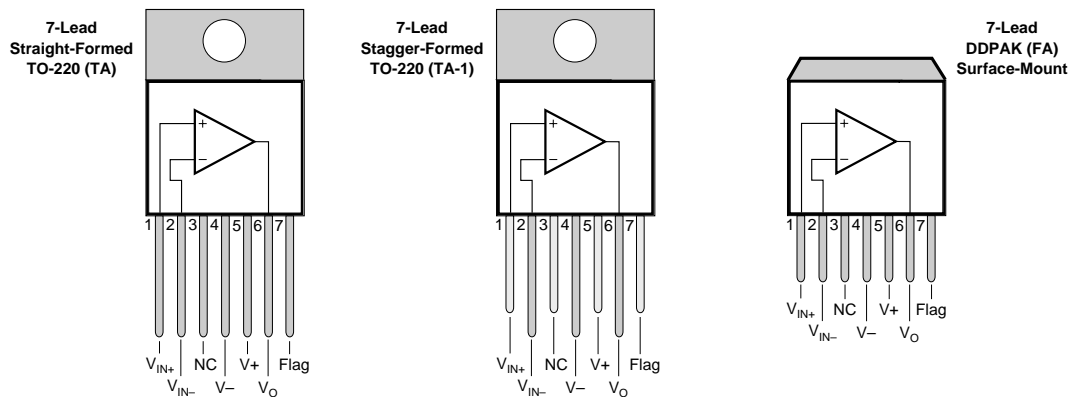
## DESCRIPTION

The OPA452 and OPA453 are low-cost operational amplifiers with high-voltage (80V) and high-current capabilities (50mA). The OPA452 is unity-gain stable and has a gain bandwidth product of 1.8MHz, whereas the OPA453 is optimized for gains greater than 5 and has a 7.5MHz bandwidth.

The OPA452 and OPA453 are internally protected against over-temperature conditions and current overloads. Power supplies in the range of ±10V to ±40V can be used. Unlike most other power op amps, the OPA452 and OPA453 have ensured specifications over the entire power-supply range.

These laser-trimmed, monolithic integrated circuits provide excellent low-level accuracy along with wide output swing. Special design considerations assure that the product is easy to use and free from phase inversion problems often found in other amplifiers.

The OPA452 and OPA453 are available in TO220-7 and DDPACK-7 options. They are specified for a junction temperature range of –40°C to +125°C.



NOTE: Tabs are electrically connected to V– supply.



Please be aware that an important notice concerning availability, standard warranty, and use in critical applications of Texas Instruments semiconductor products and disclaimers thereto appears at the end of this data sheet.

## ABSOLUTE MAXIMUM RATINGS<sup>(1)</sup>

Supply Voltage, V+ to V- .....	80V
Signal Input Terminals, Voltage <sup>(2)</sup> .....	(V-) - 0.5V to (V+) + 0.5V
Current <sup>(2)</sup> .....	5mA
Output Short-Circuit .....	Continuous
Operating Temperature .....	-55°C to +125°C
Storage Temperature .....	-65°C to +150°C
Junction Temperature .....	+150°C
Lead Temperature (soldering 10s, TO-220) .....	300°C
(soldering 3s, DDPAK) .....	240°C

NOTES: (1) Stresses above these ratings may cause permanent damage. Exposure to absolute maximum conditions for extended periods may degrade device reliability. (2) Input terminals are diode-clamped to the power-supply rails. Input signals that can swing more than 0.5V beyond the supply rails should be current limited to 5mA or less.

## PACKAGE/ORDERING INFORMATION

For the most current package and ordering information, see the Package Option Addendum located at the end of this data sheet.



## ELECTROSTATIC DISCHARGE SENSITIVITY

This integrated circuit can be damaged by ESD. Texas Instruments recommends that all integrated circuits be handled with appropriate precautions. Failure to observe proper handling and installation procedures can cause damage.

ESD damage can range from subtle performance degradation to complete device failure. Precision integrated circuits may be more susceptible to damage because very small parametric changes could cause the device not to meet its published specifications.

# ELECTRICAL CHARACTERISTICS: OPA452; $V_S = \pm 10V$ to $\pm 40V$

**Boldface** limits apply over the specified junction temperature range,  $T_J = -40^\circ\text{C}$  to  $+125^\circ\text{C}$ .

At  $T_J = +25^\circ\text{C}$ ,  $R_L = 3.8\text{k}\Omega$  connected to ground, and  $V_{OUT} = 0V$ , unless otherwise noted.

PARAMETER	CONDITION	OPA452TA, FA			UNITS
		MIN	TYP	MAX	
<b>OFFSET VOLTAGE</b> Input Offset Voltage <b>over Temperature</b> <b>Drift</b> vs Power Supply <b>over Temperature</b>	$V_{OS}$  $dV_{OS}/dT$ $PSRR$  $V_S = \pm 40V, V_{CM} = 0V, I_O = 0V$  $V_S = \pm 10V$ to $\pm 40V, V_{CM} = 0V$		$\pm 1$  <b><math>\pm 5</math></b> 5	$\pm 3$  <b><math>\pm 6</math></b> 30 <b>45</b>	mV mV $\mu V/^\circ\text{C}$ $\mu V/V$ $\mu V/V$
<b>INPUT BIAS CURRENT<sup>(1)</sup></b> Input Bias Current Input Offset Current	$I_B$ $I_{OS}$  $V_S = \pm 40V, V_{CM} = 0V$ $V_S = \pm 40V, V_{CM} = 0V$		$\pm 7$ $\pm 1$	$\pm 100$ $\pm 100$	pA pA
<b>NOISE</b> Input Voltage Noise Density Current Noise Density	$e_n$ $i_n$  $f = 1\text{kHz}$ $f = 1\text{kHz}$		21 9		$\text{nV}/\sqrt{\text{Hz}}$ $\text{fA}/\sqrt{\text{Hz}}$
<b>INPUT VOLTAGE RANGE</b> Common-Mode Voltage Range Common-Mode Rejection Ratio <b>over Temperature</b>	$V_{CM}$ $CMRR$  $V_S = \pm 40V, -35V < V_{CM} < 39.5V$ <b><math>V_S = \pm 40V, -35V &lt; V_{CM} &lt; 39.5V</math></b>	$(V-) + 5$ 86 <b>76</b>	94	$(V+) - 0.5$	V dB <b>dB</b>
<b>INPUT IMPEDANCE</b> Differential Common-Mode	$V_S = \pm 40V, -35V < V_{CM} < 39.5V$		$10^{13} \parallel 2$ $10^{13} \parallel 6$		$\Omega \parallel \text{pF}$ $\Omega \parallel \text{pF}$
<b>OPEN-LOOP GAIN</b> Open-Loop Voltage Gain <b>over Temperature</b>  <b>over Temperature</b>	$A_{OL}$  $I_O = 10\text{mA}, -V_S + 2V < V_O < +V_S - 2V$ <b><math>I_O = 10\text{mA}, -V_S + 2V &lt; V_O &lt; +V_S - 2V</math></b> $I_O = 50\text{mA}, -V_S + 4V < V_O < +V_S - 4V$ <b><math>I_O = 50\text{mA}, -V_S + 5V &lt; V_O &lt; +V_S - 5.5V</math></b>	105  96	110 <b>107</b> 110 <b>105</b>		dB <b>dB</b> dB <b>dB</b>
<b>FREQUENCY RESPONSE</b> Gain-Bandwidth Product Slew Rate Settling Time: 0.1% 0.01% Overload Recovery Time Total Harmonic Distortion + Noise	GBW SR    $THD+N$  $V_S = \pm 40V$ $V_S = \pm 40V$ $V_S = \pm 40V, G = +1, 10V \text{ Step}, C_L = 100\text{pF}$ $V_S = \pm 40V, G = +1, 10V \text{ Step}, C_L = 100\text{pF}$ $V_{IN} \cdot \text{Gain} = V_S$ $V_S = \pm 40V, V_O = 30V_{p-p}, G = 5$ $f = 1\text{kHz}, R_L = 2\text{k}\Omega$		1.8 $+7.2/-10$ 2 5 1 0.0008		MHz V/ $\mu\text{s}$ $\mu\text{s}$ $\mu\text{s}$ $\mu\text{s}$ %
<b>OUTPUT</b> Voltage Output <b>over Temperature</b> Voltage Output <b>over Temperature</b> Output Current Short-Circuit Current Capacitive Load Drive	$V_{OUT}$    $I_{SC}$ $C_{LOAD}$  $I_O = 50\text{mA}$ <b><math>I_O = 50\text{mA}</math></b> $I_O = 10\text{mA}$ <b><math>I_O = 10\text{mA}</math></b>	$(V-) + 4.0$ <b><math>(V-) + 5</math></b> $(V-) + 2$ <b><math>(V-) + 2</math></b> $\pm 50$	$\pm 125$  See Typical Characteristic	$(V+) - 4$ <b><math>(V+) - 5.5</math></b> $(V+) - 2$ <b><math>(V+) - 2</math></b>	V V V V mA mA
<b>SHUTDOWN FLAG</b> Thermal Shutdown Status Output Normal Operation Thermally Shutdown Junction Temperature Shutdown Reset from Shutdown	$V_S = \pm 40V$ $V_S = \pm 40V$	100	0.1 140  $+160$ $+145$	1.0 165	$\mu\text{A}$ $\mu\text{A}$  $^\circ\text{C}$ $^\circ\text{C}$
<b>POWER SUPPLY</b> Supply Voltage Range Quiescent Current (per amplifier) <b>over Temperature</b>	$V_S$ $I_Q$  $I_O = 0$	$\pm 10$	$\pm 5.5$	$\pm 40$ $\pm 6.5$ <b><math>\pm 7.5</math></b>	V mA <b>mA</b>
<b>TEMPERATURE RANGE</b> Specified Range (junction) Operating Range (junction) Storage Range (ambient) Thermal Resistance TO200-7 DDPAK-7	$T_J$ $T_J$ $T_A$ $\theta_{JC}$	-40 -55 -65		+125 +125 +150	$^\circ\text{C}$ $^\circ\text{C}$ $^\circ\text{C}$ $^\circ\text{C}/\text{W}$ $^\circ\text{C}/\text{W}$

NOTE: (1) All tests are high-speed tested at  $+25^\circ\text{C}$  ambient temperature. Effective junction temperature is  $+25^\circ\text{C}$ , unless otherwise noted.

# ELECTRICAL CHARACTERISTICS: OPA453; $V_S = \pm 10V$ to $\pm 40V$

**Boldface** limits apply over the specified junction temperature range,  $T_J = -40^\circ\text{C}$  to  $+125^\circ\text{C}$ .

At  $T_J = +25^\circ\text{C}$ ,  $R_L = 3.8\text{k}\Omega$  connected to ground, and  $V_{OUT} = 0V$ , unless otherwise noted.

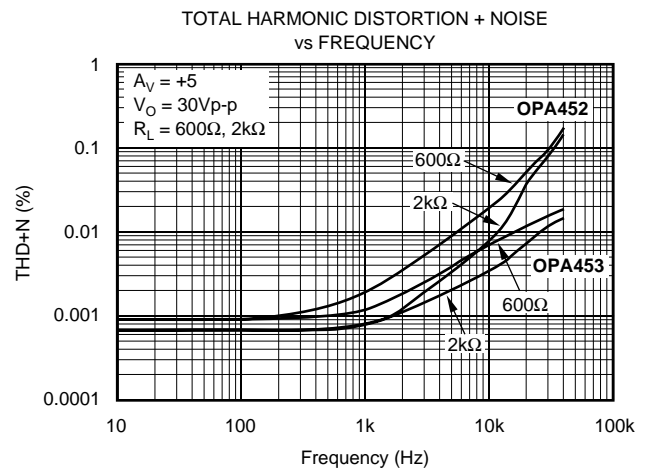
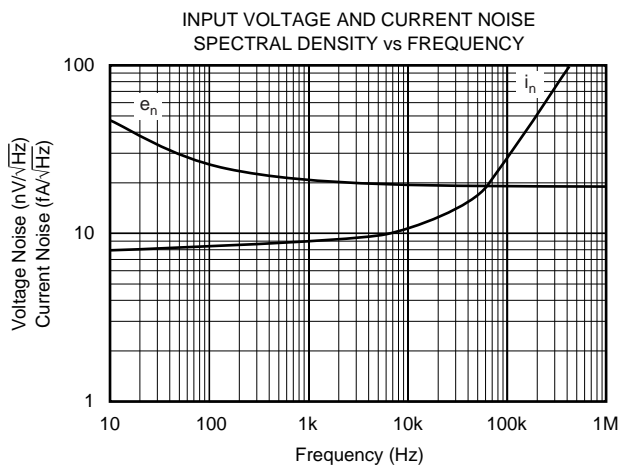
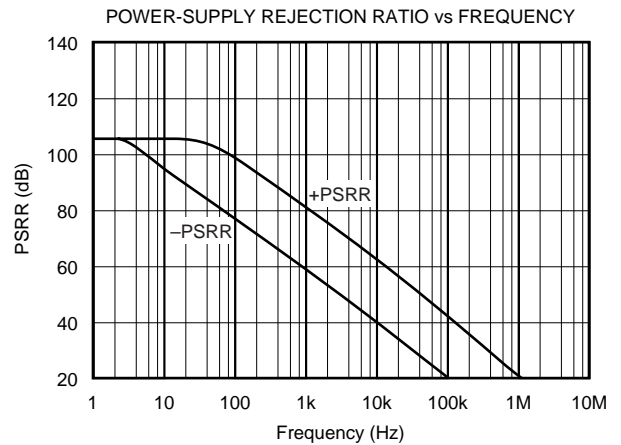
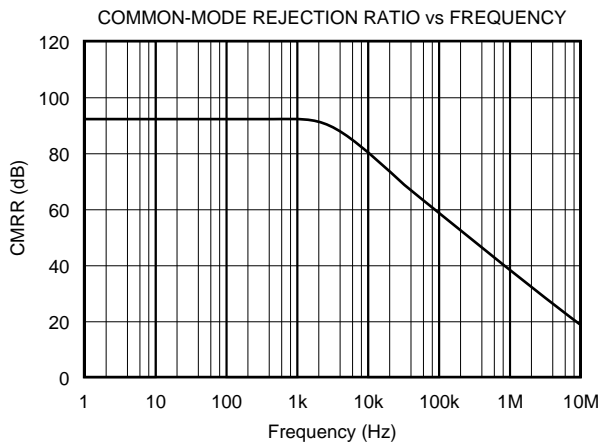
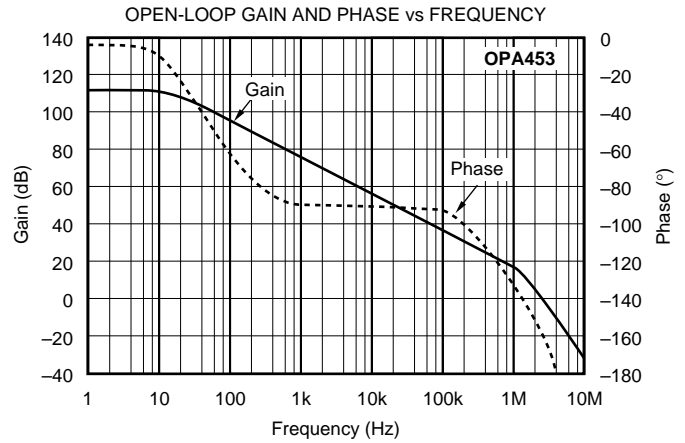
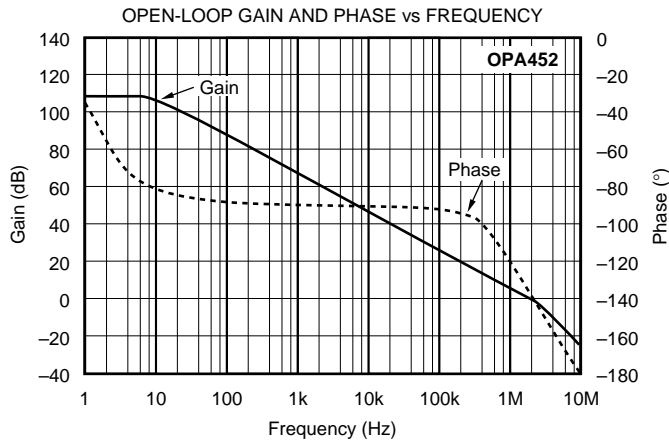
PARAMETER	CONDITION	OPA453TA, FA			UNITS
		MIN	TYP	MAX	
<b>OFFSET VOLTAGE</b> Input Offset Voltage <b>over Temperature</b> <b>Drift</b> vs Power Supply <b>over Temperature</b>	$V_{OS}$  $V_S = \pm 40V, V_{CM} = 0V, I_O = 0V$  $dV_{OS}/dT$ PSRR $V_S = \pm 10V$ to $\pm 40V, V_{CM} = 0V$		$\pm 1$  $\pm 5$ 5	$\pm 3$  $\pm 6$ 30 <b>45</b>	mV mV $\mu V/^\circ\text{C}$ $\mu V/V$ $\mu V/V$
<b>INPUT BIAS CURRENT</b> <sup>(1)</sup> Input Bias Current Input Offset Current	$I_B$ $I_{OS}$ $V_S = \pm 40V, V_{CM} = 0V$ $V_S = \pm 40V, V_{CM} = 0V$		$\pm 7$ $\pm 1$	$\pm 100$ $\pm 100$	pA pA
<b>NOISE</b> Input Voltage Noise Density Current Noise Density	$e_n$ $i_n$ $f = 1\text{kHz}$ $f = 1\text{kHz}$		21 9		$\text{nV}/\sqrt{\text{Hz}}$ $\text{fA}/\sqrt{\text{Hz}}$
<b>INPUT VOLTAGE RANGE</b> Common-Mode Voltage Range Common-Mode Rejection Ratio <b>over Temperature</b>	$V_{CM}$ CMRR $V_S = \pm 40V, -35V < V_{CM} < 39.5V$ <b><math>V_S = \pm 40V, -35V &lt; V_{CM} &lt; 39.5V</math></b>	$(V-) + 5$ 86 <b>76</b>	94	$(V+) - 0.5$	V dB <b>dB</b>
<b>INPUT IMPEDANCE</b> Differential Common-Mode	$V_S = \pm 40V, -35V < V_{CM} < 39.5V$		$10^{13} \parallel 2$ $10^{13} \parallel 6$		$\Omega \parallel \text{pF}$ $\Omega \parallel \text{pF}$
<b>OPEN-LOOP GAIN</b> Open-Loop Voltage Gain <b>over Temperature</b>  <b>over Temperature</b>	$A_{OL}$ $I_O = 10\text{mA}, -V_S + 2V < V_O < +V_S - 2V$ <b><math>I_O = 10\text{mA}, -V_S + 2V &lt; V_O &lt; +V_S - 2V</math></b> $I_O = 50\text{mA}, -V_S + 4V < V_O < +V_S - 4V$ <b><math>I_O = 50\text{mA}, -V_S + 5V &lt; V_O &lt; +V_S - 5.5V</math></b>	105  96	110 <b>107</b> 110 <b>105</b>		dB <b>dB</b> dB <b>dB</b>
<b>FREQUENCY RESPONSE</b> Gain-Bandwidth Product Slew Rate Settling Time: 0.1% 0.01% Overload Recovery Time Total Harmonic Distortion + Noise	GBW SR THD+N $V_S = \pm 40V$ $V_S = \pm 40V$ $V_S = \pm 40V, G = +5, 10V \text{ Step}, C_L = 100\text{pF}$ $V_S = \pm 40V, G = +5, 10V \text{ Step}, C_L = 100\text{pF}$ $V_{IN} \cdot \text{Gain} = V_S$ $V_S = \pm 40V, V_O = 30V_{p-p}, G = 5$ $f = 1\text{kHz}, R_L = 2\text{k}\Omega$		7.5 $+23/-38$ 1 1.5 1 0.0008		MHz V/ $\mu\text{s}$ $\mu\text{s}$ $\mu\text{s}$ $\mu\text{s}$ %
<b>OUTPUT</b> Voltage Output <b>over Temperature</b> Voltage Output <b>over Temperature</b> Output Current Short-Circuit Current Capacitive Load Drive	$V_{OUT}$  $I_O = 50\text{mA}$ <b><math>I_O = 50\text{mA}</math></b> $I_O = 10\text{mA}$ <b><math>I_O = 10\text{mA}</math></b>  $I_{SC}$ $C_{LOAD}$	$(V-) + 4.0$ <b><math>(V-) + 5</math></b> $(V-) + 2$ <b><math>(V-) + 2</math></b> $\pm 50$	$\pm 125$ See Typical Characteristic	$(V+) - 4$ <b><math>(V+) - 5.5</math></b> $(V+) - 2$ <b><math>(V+) - 2</math></b>	V V V V mA mA
<b>SHUTDOWN FLAG</b> Thermal Shutdown Status Output Normal Operation Thermally Shutdown Junction Temperature Shutdown Reset from Shutdown	$V_S = \pm 40V$ $V_S = \pm 40V$	100	0.1 140  +160 +145	1.0	$\mu\text{A}$ $\mu\text{A}$  $^\circ\text{C}$ $^\circ\text{C}$
<b>POWER SUPPLY</b> Supply Voltage Range Quiescent Current (per amplifier) <b>over Temperature</b>	$V_S$ $I_Q$ $I_O = 0$	$\pm 10$	$\pm 5.5$	$\pm 40$ $\pm 6.5$ <b><math>\pm 7.5</math></b>	V mA <b>mA</b>
<b>TEMPERATURE RANGE</b> Specified Range (junction) Operating Range (junction) Storage Range (ambient) Thermal Resistance TO200-7 DDPAK-7	$T_J$ $T_J$ $T_A$  $\theta_{JC}$	-40 -55 -65		+125 +125 +150	$^\circ\text{C}$ $^\circ\text{C}$ $^\circ\text{C}$  $^\circ\text{C}/\text{W}$ $^\circ\text{C}/\text{W}$

NOTE: (1) All tests are high-speed tested at  $+25^\circ\text{C}$  ambient temperature. Effective junction temperature is  $+25^\circ\text{C}$ , unless otherwise noted.

# TYPICAL CHARACTERISTICS

At  $T_J = +25^\circ\text{C}$ ,  $V_S = \pm 40\text{V}$ , and  $R_L = 3.8\text{k}\Omega$ , unless otherwise noted.

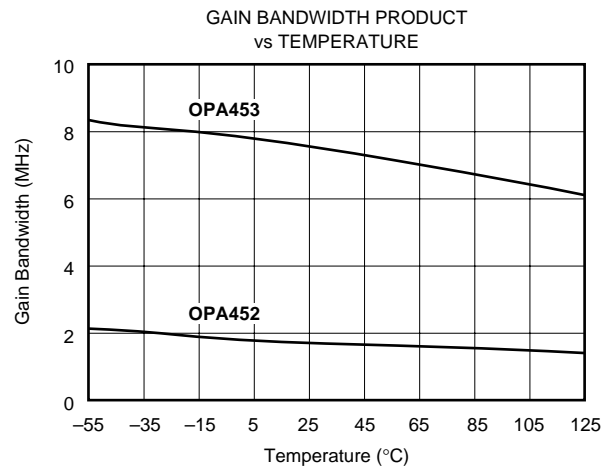
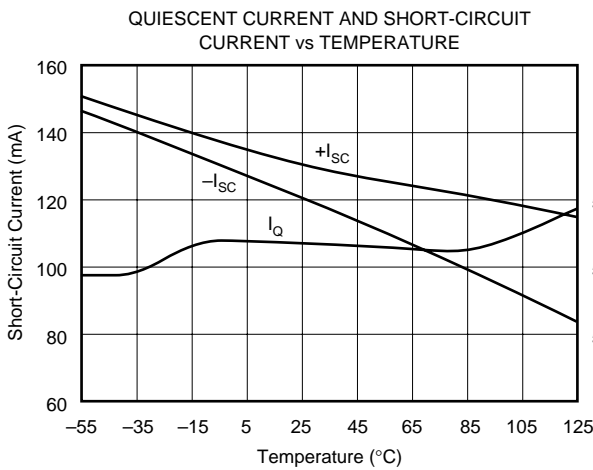
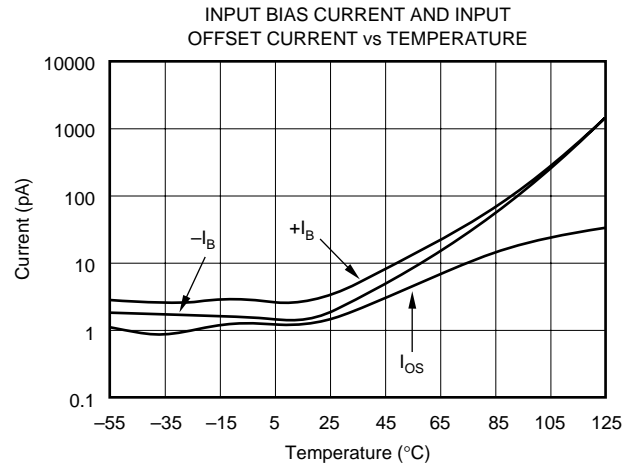
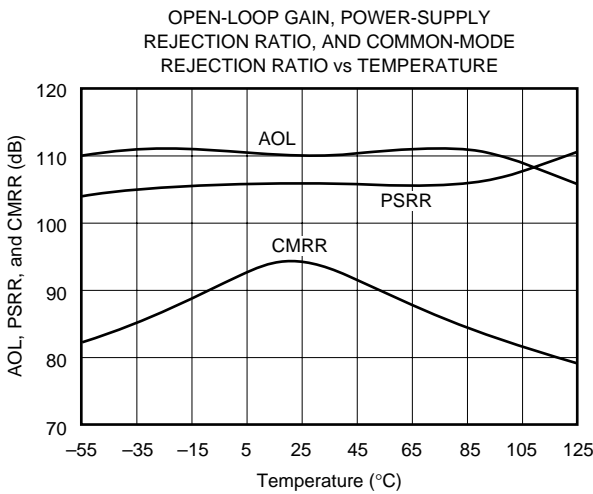
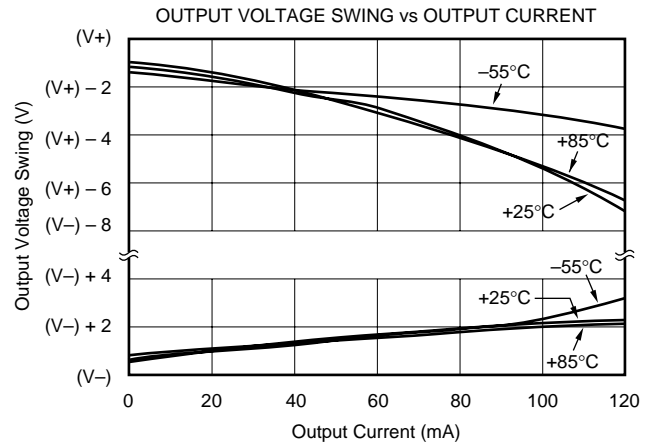
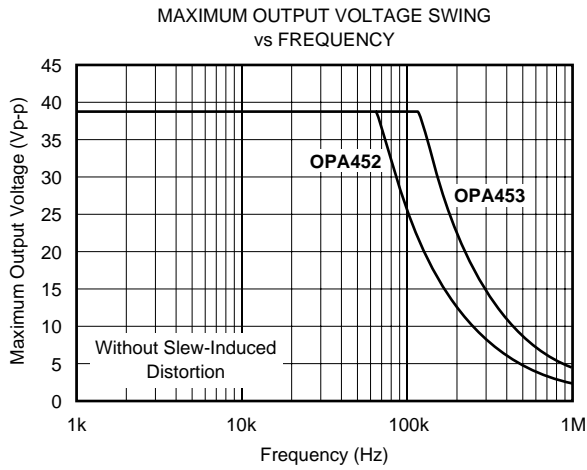
All temperatures are junction temperatures unless otherwise noted. Refer to the Applications Information section to calculate junction temperatures from ambient temperatures for a specific configuration.



# TYPICAL CHARACTERISTICS (Cont.)

At  $T_J = +25^\circ\text{C}$ ,  $V_S = \pm 40\text{V}$ , and  $R_L = 3.8\text{k}\Omega$ , unless otherwise noted.

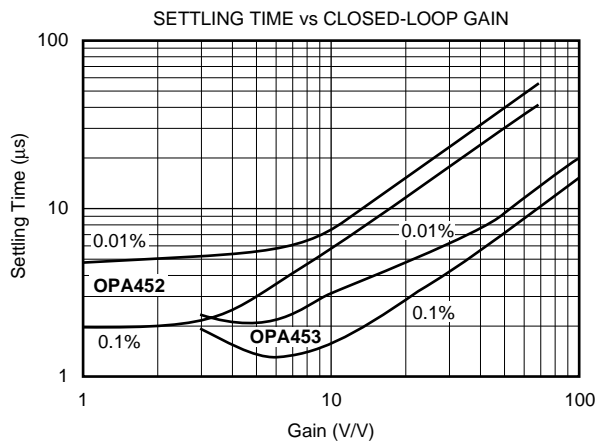
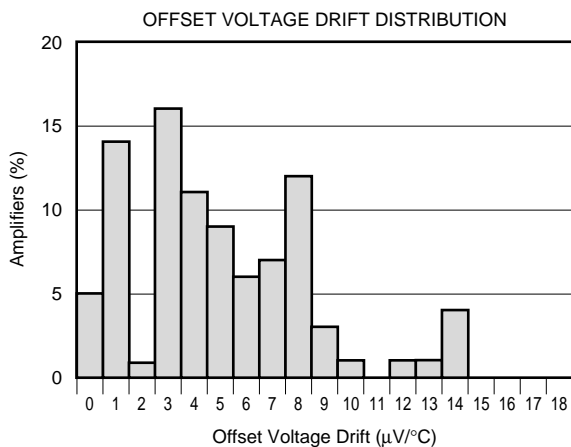
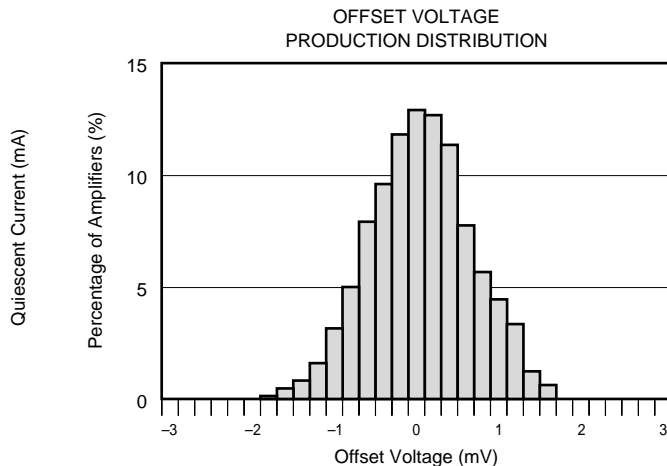
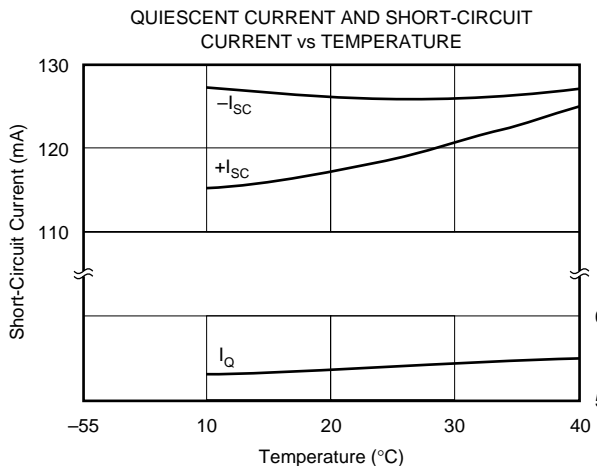
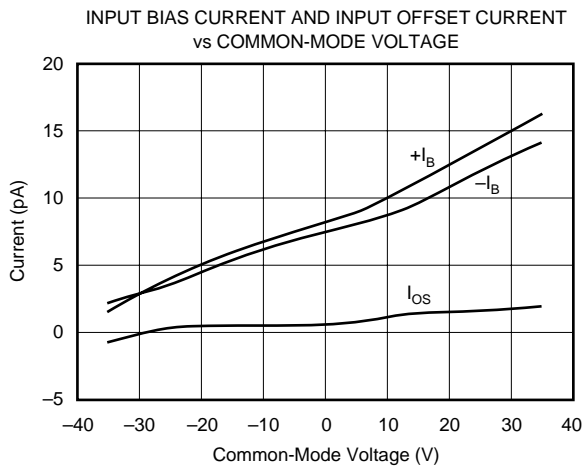
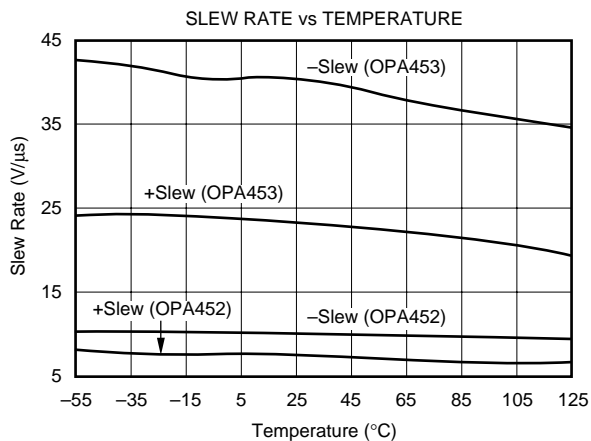
All temperatures are junction temperatures unless otherwise noted. Refer to the Applications Information section to calculate junction temperatures from ambient temperatures for a specific configuration.



# TYPICAL CHARACTERISTICS (Cont.)

At  $T_J = +25^\circ\text{C}$ ,  $V_S = \pm 40\text{V}$ , and  $R_L = 3.8\text{k}\Omega$ , unless otherwise noted.

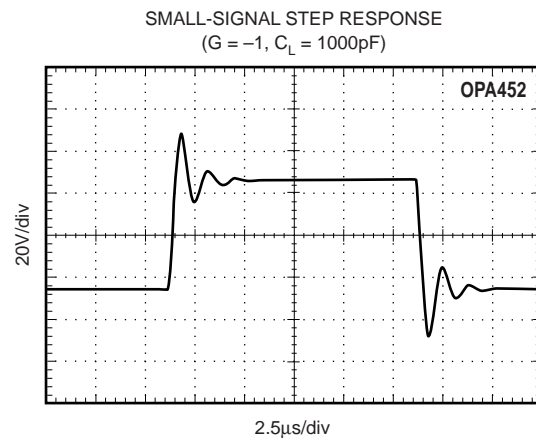
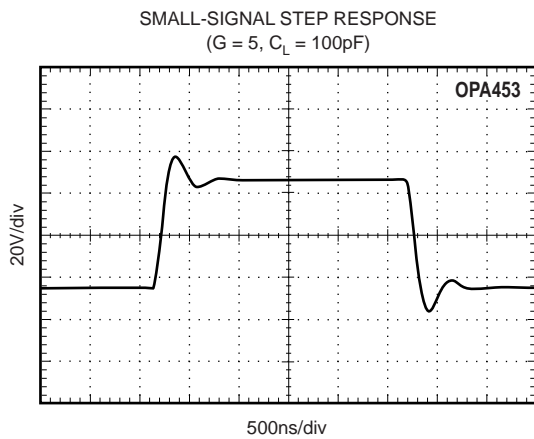
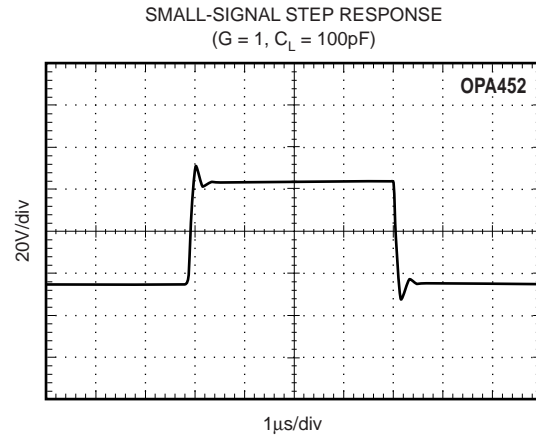
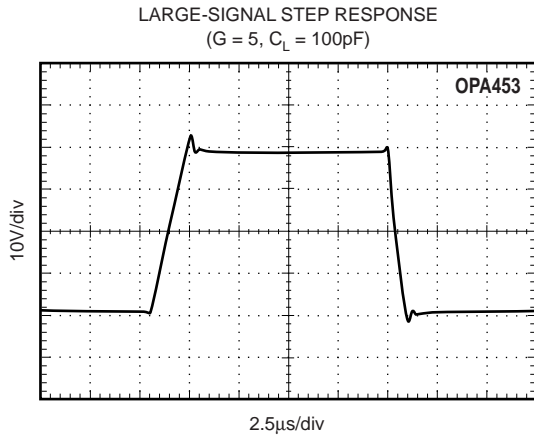
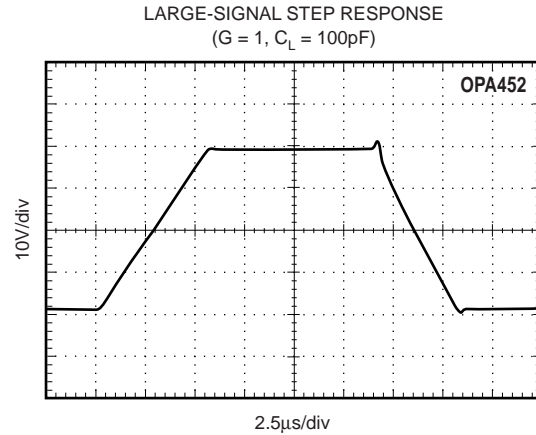
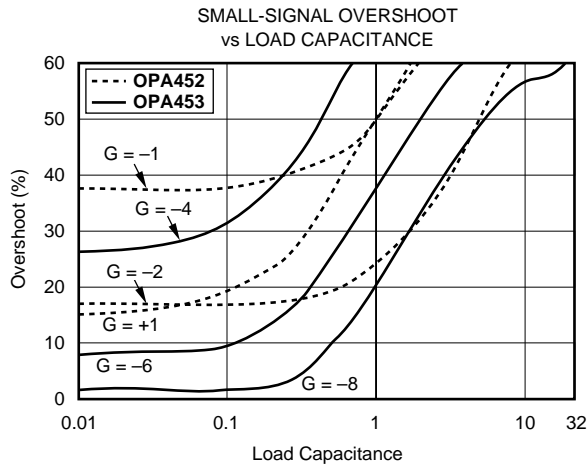
All temperatures are junction temperatures unless otherwise noted. Refer to the Applications Information section to calculate junction temperatures from ambient temperatures for a specific configuration.



# TYPICAL CHARACTERISTICS (Cont.)

At  $T_J = +25^\circ\text{C}$ ,  $V_S = \pm 40\text{V}$ , and  $R_L = 3.8\text{k}\Omega$ , unless otherwise noted.

All temperatures are junction temperatures unless otherwise noted. Refer to the Applications Information section to calculate junction temperatures from ambient temperatures for a specific configuration.





# APPLICATIONS INFORMATION

Figure 1 shows the OPA452 connected as a basic noninverting amplifier. The OPA452 can be used in virtually any op amp configuration. The OPA453 is designed for use in configurations with gains of 5 or greater. Power-supply terminals should be bypassed with 0.1µF capacitors, or greater, near the power-supply pins. Be sure that the capacitors are appropriately rated for the power-supply voltage used. The OPA452 and OPA453 can supply output currents up to 50mA with excellent performance.

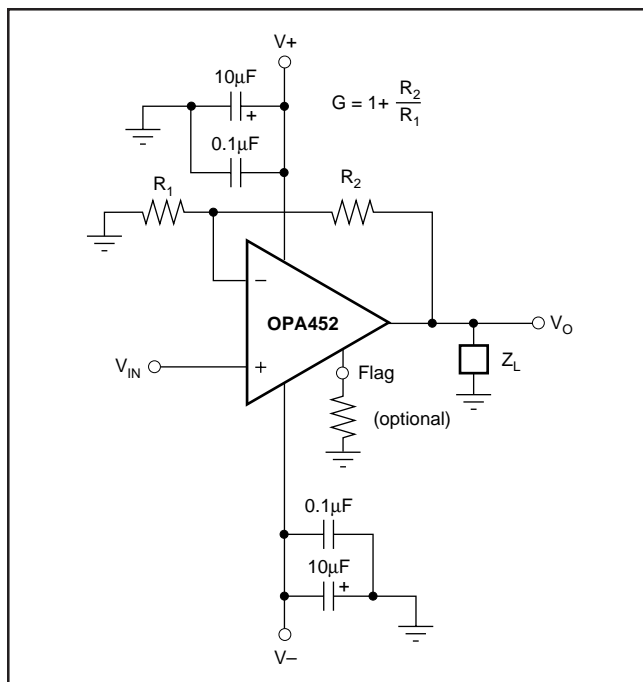


FIGURE 1. Basic Circuit Connections.

## CURRENT LIMIT

The OPA452 and OPA453 are designed with internal current-limiting circuitry that limits the output current to approximately 125mA. The current limit varies slightly with increasing junction temperature and supply voltage, as shown in the Typical Characteristics. Current limit, in combination with the thermal protection circuitry, provides protection from most types of overload conditions including short-circuit to ground.

## THERMAL PROTECTION

The OPA452 and OPA453 have thermal shutdown circuitry that protects the amplifier from damage caused by overload conditions. The thermal protection circuitry disables the output when the junction temperature reaches approximately 160°C, allowing the device to cool. When the junction temperature cools to approximately 140°C, the output circuitry is automatically re-enabled.

The thermal shutdown function is not intended to replace proper heat sinking. Activation of the thermal shutdown circuitry is an indication of excessive power dissipation or an inadequate heat sink. Continuously running the amplifier into thermal shutdown can degrade reliability.

The Thermal Shutdown Indicator (Flag) pin can be monitored to determine if shutdown is occurring. During normal operation, the current output from the flag pin is typically 50nA. During shutdown, the current output from the flag pin increases to 140µA (typical). This current output allows for easy interfacing to external logic. Figure 2 shows two examples implementing this function.

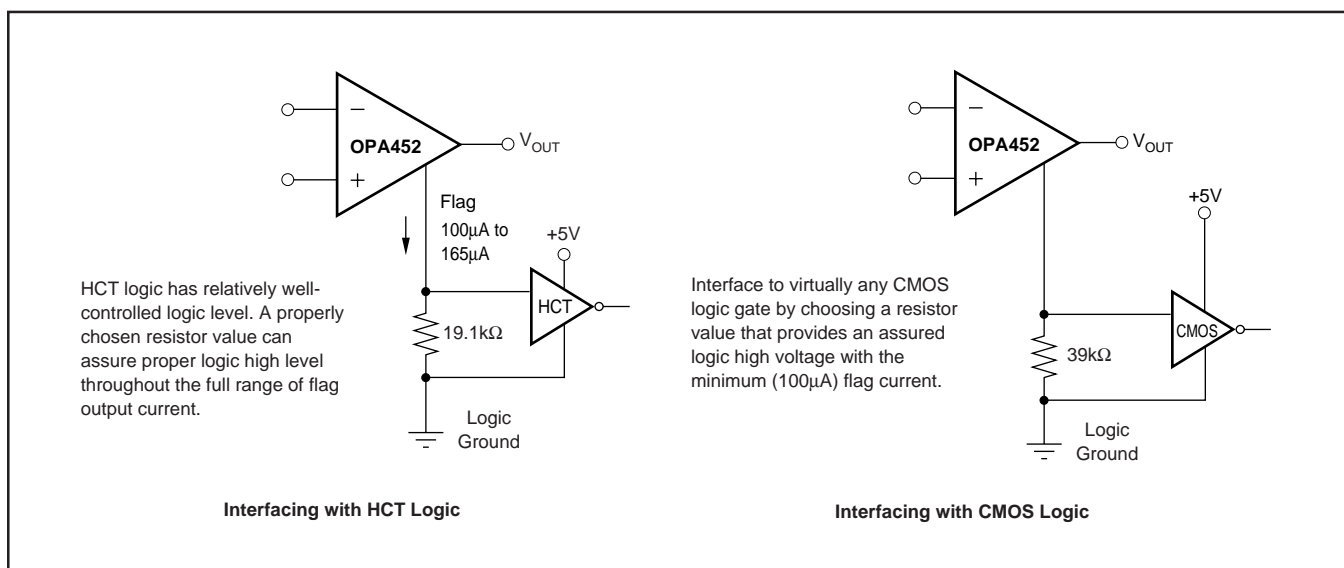


FIGURE 2. Thermal Shutdown Indicator.

## POWER SUPPLIES

The OPA452 and OPA453 may be operated from power supplies of  $\pm 10\text{V}$  to  $\pm 40\text{V}$ , or a total of  $80\text{V}$  with excellent performance. Most behavior remains unchanged throughout the full operating voltage range. Parameters that vary significantly with operating voltage are shown in the Typical Characteristics.

For applications that do not require symmetrical output voltage swing, power-supply voltages do not need to be equal. The OPA452 and OPA453 can operate with as little as  $20\text{V}$  between the supplies or with up to  $80\text{V}$  between the supplies. For example, the positive supply could be set to  $70\text{V}$  with the negative supply at  $-10\text{V}$  or vice-versa.

The tabs of the DDPAK-7 and TO220 packages are electrically connected to the negative supply ( $V_-$ ), however, these connections should not be used to carry current. For best thermal performance, the tab should be soldered directly to the circuit board copper area (see Heat Sinking section).

## POWER DISSIPATION

Internal power dissipation of these op amps can be quite large. All of the specifications for the OPA452 and OPA453 may change with junction temperature. If the device is not subjected to internal self-heating, the junction temperature will be the same as the ambient. However, in practical applications, the device will self-heat and the junction temperature will be significantly higher than ambient. The following calculation can be performed to establish junction temperature as a function of ambient temperature and the conditions of the application.

Consider the OPA452 in a circuit configuration where the load is  $600\Omega$  and the output voltage is  $20\text{V}$ . The supplies are at  $\pm 40\text{V}$  and the ambient temperature ( $T_A$ ) is  $40^\circ\text{C}$ . The  $\theta_{JA}$  for the package plus heat sink is  $30^\circ\text{C/W}$ .

First, the quiescent heating of the op amp is as follows:

$$P_{D(\text{internal})} = I_Q \cdot V_S = 6\text{mA} \cdot 80\text{V} = 480\text{mW}$$

The output current ( $I_O$ ) can be calculated:

$$I_O = V_O/R_L = 20\text{V}/600\Omega = 33.33\text{mA}$$

The power being dissipated ( $P_D$ ) in the output transistor of the amplifier can be calculated:

$$P_{D(\text{output stage})} = I_O \cdot (V_S - V_O) = 33.3\text{mA} \cdot (40 - 20) = 667\text{mW}$$

$$P_{D(\text{total})} = P_{D(\text{internal})} + P_{D(\text{output stage})} = 480\text{mW} + 667\text{mW} = 1147\text{mW}$$

The resulting junction temperature can be calculated:

$$T_J = T_A + P_D \theta_{JA}$$

$$T_J = 40^\circ\text{C} + 1147\text{mW} \cdot 30^\circ\text{C/W} = 74.4^\circ\text{C}$$

Where,

$V_O$  = output voltage

$V_S$  = supply voltage

$I_O$  = output current

$R_L$  = load resistance

$T_J$  = junction temperature ( $^\circ\text{C}$ )

$T_A$  = ambient temperature ( $^\circ\text{C}$ )

$\theta_{JA}$  = junction-to-air thermal resistance ( $^\circ\text{C/W}$ )

To estimate the margin of safety in a complete design (including heat sink), increase the ambient temperature until the thermal protection is activated. Use worst-case load and signal conditions. For good reliability, the thermal protection should trigger more than  $+35^\circ\text{C}$  above the maximum expected ambient condition of your application. This ensures a maximum junction temperature of  $+125^\circ\text{C}$  at the maximum expected ambient condition.

Operation from a single power supply (or unbalanced power supplies) can produce even larger power dissipation because a larger voltage can be impressed across the conducting output transistor. Consult Application Bulletin SBOA022 at [www.ti.com](http://www.ti.com) for further information on how to calculate or measure power dissipation.

Power dissipation can be minimized by using the lowest possible supply voltage. For example, with a  $50\text{mA}$  load, the output will swing to within  $5.0\text{V}$  of the power-supply rails. Power supplies set to no more than  $5.0\text{V}$  above the maximum output voltage swing required by the application will minimize the power dissipation.

## SAFE OPERATING AREA

The Safe Operating Area (SOA curves, Figure 3) shows the permissible range of voltage and current. The safe output current decreases as the voltage across the output transistor ( $V_S - V_O$ ) increases. For further insight on SOA, consult Application Report SBOA022.

Output short circuits are a very demanding case for SOA. A short-circuit to ground forces the full power-supply voltage ( $V_+$  or  $V_-$ ) across the conducting transistor and produces a

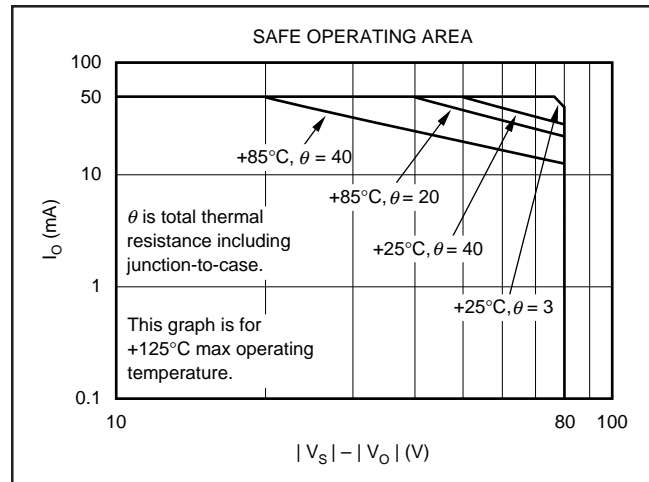


FIGURE 3. DDPAK-7 and TO220-7 Safe Operating Area.

typical output current of 125mA. With  $\pm 40V$  power supplies, this creates an internal dissipation of 10W. This far exceeds practical heat sinking and is not recommended. If operation in this region is unavoidable, use the part with a heat sink.

## HEAT SINKING

Power dissipated in the OPA452 or OPA453 will cause the junction temperature to rise. For reliable operation, the junction temperature should be limited to  $+125^{\circ}C$ . Many applications will require a heat sink to assure that the maximum operating junction temperature is not exceeded. The heat sink required depends on the power dissipated and on ambient conditions.

For heat sinking purposes, the tab of the DDPACK is typically soldered directly to a circuit board copper area. Increasing the copper area improves heat dissipation. Figure 4 shows typical thermal resistance from junction-to-ambient as a function of copper area.

Depending on conditions, additional heat sinking may be required. Aavid Thermal Products Inc. manufactures surface-mountable heat sinks designed specifically for use with these packages. Further information is available on Aavid's web site, [www.aavid.com](http://www.aavid.com).

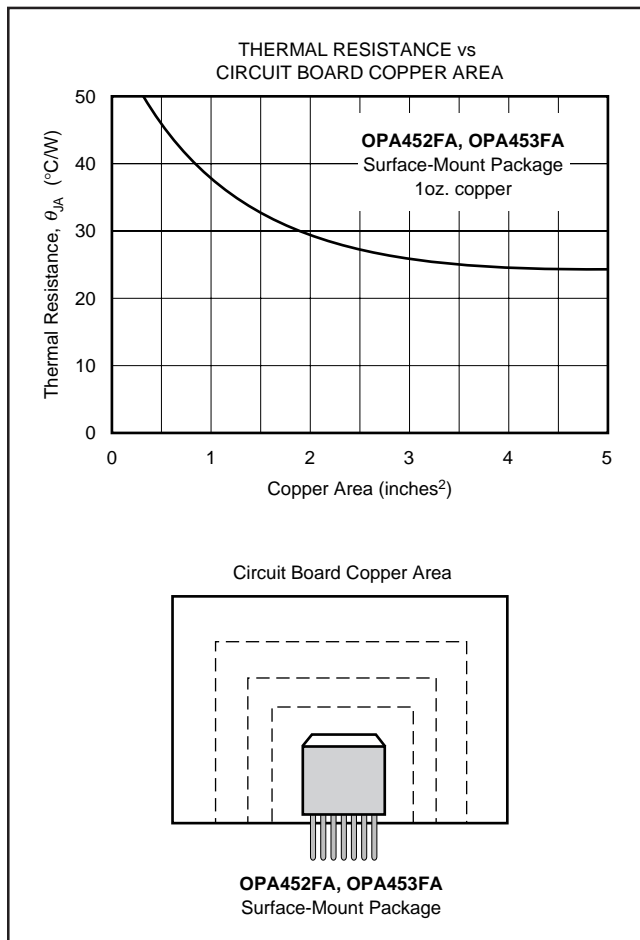


FIGURE 4. DDPACK Thermal Resistance versus Circuit Board Copper Area.

## CAPACITIVE LOADS

The dynamic characteristics of the OPA452 and OPA453 have been optimized for commonly encountered gains, loads, and operating conditions. The combination of low closed-loop gain and capacitive load will decrease the phase margin and may lead to gain peaking or oscillations. Figure 5 shows a circuit that preserves phase margin with capacitive load. Figure 6 shows the small-signal step response for the circuit in Figure 5. Consult Application Bulletin SBOA015, at [www.ti.com](http://www.ti.com), for more information.

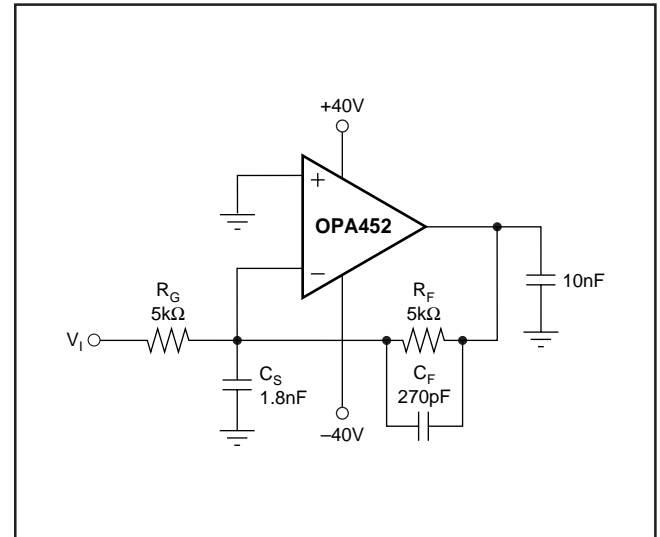


FIGURE 5. Driving Large Capacitive Loads.

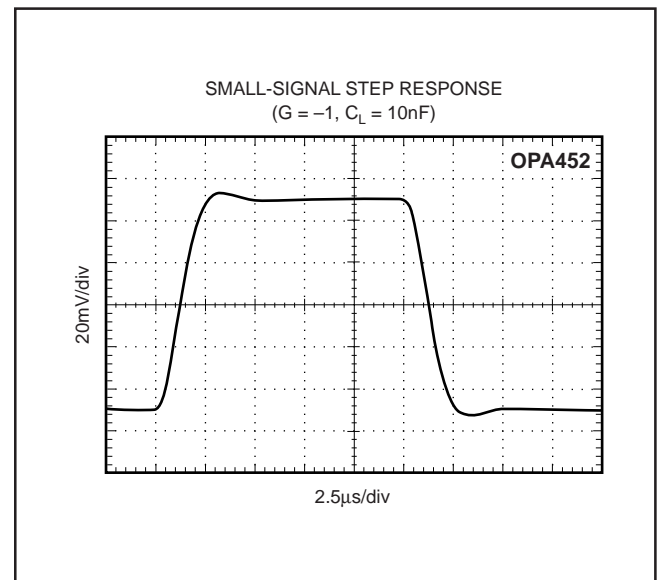


FIGURE 6. Small-Signal Step Response for Figure 5.

## INCREASING OUTPUT CURRENT

In those applications where the 50mA of output current is not sufficient to drive the desired load, output current can be increased by connecting two or more OPA452s or OPA453s in parallel, as shown in Figure 7. Amplifier A1 is the master amplifier and may be configured in virtually any op amp circuit. Amplifier A2, the slave, is configured as a unity gain buffer. Alternatively, external output transistors can be used to boost output current. The circuit in Figure 8 is capable of supplying output currents up to 1A. Alternatively, the OPA547, OPA548, and OPA549 series power op amps should be considered for high output current drive, along with programmable current limit and output disable capability.

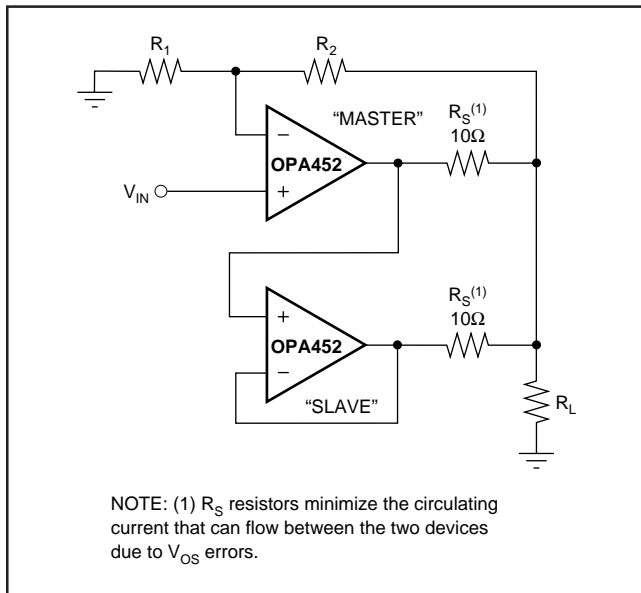


FIGURE 7. Parallel Amplifiers Increase Output Current Capability.

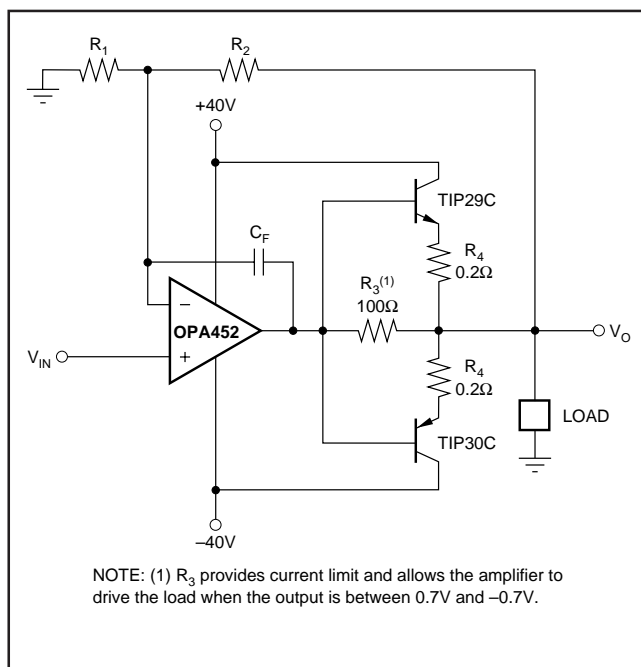


FIGURE 8. External Output Transistors Boost Output Current Up to 1 Amp.

## INPUT PROTECTION

The OPA452 and OPA453 feature internal clamp diodes to protect the inputs when voltages beyond the supply rails are encountered. However, input current should be limited to 5mA. In some cases, an external series resistor may be required. Many input signals are inherently current-limited, therefore, a limiting resistor may not be required. Please consider that a large series resistor, in conjunction with the input capacitance, can affect stability.

## USING THE OPA453 IN LOW GAINS

The OPA453 is intended for applications with signal gains of 5 or greater, but it is possible to take advantage of its high slew rate in lower gains using an external compensation technique in an inverting configuration. This technique maintains low noise characteristics of the OPA453 architecture at low frequencies. Depending on the application, a small increase in high-frequency noise may result. This technique shapes the loop gain for good stability while giving an easily controlled 2nd-order low-pass frequency response.

Considering only the noise gain (noninverting signal gain) for the circuit of Figure 9, the low-frequency noise gain ( $NG_1$ ) will be set by the resistor ratios, whereas the high-frequency noise gain ( $NG_2$ ) will be set by the capacitor ratios. The capacitor values set both the transition frequencies and the high-frequency noise gain. If this noise gain, determined by  $NG_2 = 1 + C_S/C_F$ , is set to a value greater than the recommended minimum stable gain for the op amp and the noise gain pole, set by  $1/R_F C_F$ , is placed correctly, a very well controlled, 2nd-order low-pass frequency response will result.

To choose the values for both  $C_S$  and  $C_F$ , two parameters and only three equations need to be solved. First, the target for the high-frequency noise gain ( $NG_2$ ) should be greater than the minimum stable gain for the OPA453. In the circuit in Figure 9, a target  $NG_2$  of 10 is used. Second, the signal gain of  $-1$  in Figure 10 sets the low-frequency noise gain to  $NG_1 = 1 + R_F/R_G (= 2$  in this example). Using these two gains, knowing the Gain Bandwidth Product (GBP) for the OPA453 (7.5MHz), and targeting a maximally flat 2nd-order, low-pass Butterworth frequency response ( $Q = 0.707$ ), the key frequency in the compensation can be found.

For the values in Figure 9, the  $f_{-3dB}$  will be approximately 180kHz. This is less than that predicted by simply dividing the GBP by  $NG_1$ . The compensation network controls the bandwidth to a lower value while providing good slew rate at the output and an exceptional distortion performance due to increased loop gain at frequencies below  $NG_1 \cdot Z_0$ . The capacitor values in Figure 10 are calculated for  $NG_1 = 2$  and  $NG_2 = 10$  with no adjustment for parasitics.

Actual circuit values can be optimized by checking the small-signal step response with actual load conditions. See Figure 9 for the small-signal step response of this OPA453,  $G = -1$  circuit with a 1000pF load. It is well-behaved with no tendency to oscillate. If  $C_S$  and  $C_F$  were removed, the circuit would be unstable.

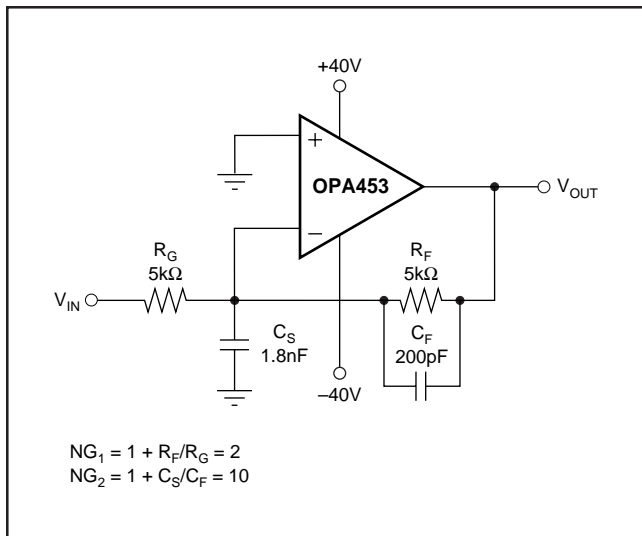


FIGURE 9. Compensation of the OPA453 for  $G = -1$ .

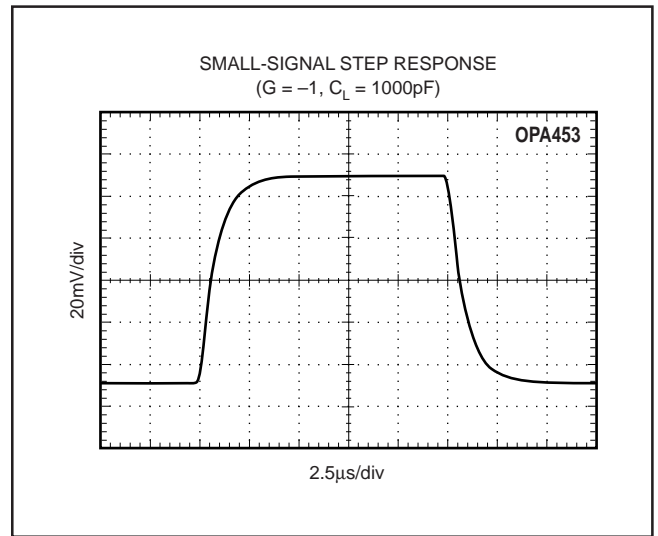


FIGURE 10. Small-Signal Step Response for Figure 9.

**PACKAGING INFORMATION**

Orderable Device	Status (1)	Package Type	Package Drawing	Pins	Package Qty	Eco Plan (2)	Lead/Ball Finish (6)	MSL Peak Temp (3)	Op Temp (°C)	Device Marking (4/5)	Samples
OPA452FA/500	ACTIVE	DDPAK/ TO-263	KTW	7	500	Green (RoHS & no Sb/Br)	CU SN	Level-3-245C-168 HR	-40 to 125	OPA452F	<a href="#">Samples</a>
OPA452FA/500G3	ACTIVE	DDPAK/ TO-263	KTW	7	500	Green (RoHS & no Sb/Br)	CU SN	Level-3-245C-168 HR	-40 to 125	OPA452F	<a href="#">Samples</a>
OPA452FAKTWT	ACTIVE	DDPAK/ TO-263	KTW	7	250	Green (RoHS & no Sb/Br)	CU SN	Level-3-245C-168 HR	-40 to 125	OPA452F	<a href="#">Samples</a>
OPA452FAKTWTG3	ACTIVE	DDPAK/ TO-263	KTW	7	250	Green (RoHS & no Sb/Br)	CU SN	Level-3-245C-168 HR	-40 to 125	OPA452F	<a href="#">Samples</a>
OPA452TA	ACTIVE	TO-220	KC	7	50	Green (RoHS & no Sb/Br)	CU SN	N / A for Pkg Type	-40 to 125	OPA452T	<a href="#">Samples</a>
OPA452TA-1	ACTIVE	TO-220	KVT	7	50	Green (RoHS & no Sb/Br)	CU SN	N / A for Pkg Type	-40 to 125	OPA452T	<a href="#">Samples</a>
OPA452TA-1G3	ACTIVE	TO-220	KVT	7	50	Green (RoHS & no Sb/Br)	CU SN	N / A for Pkg Type	-40 to 125	OPA452T	<a href="#">Samples</a>
OPA452TAG3	ACTIVE	TO-220	KC	7	50	Green (RoHS & no Sb/Br)	CU SN	N / A for Pkg Type	-40 to 125	OPA452T	<a href="#">Samples</a>
OPA453FAKTWT	ACTIVE	DDPAK/ TO-263	KTW	7	250	Green (RoHS & no Sb/Br)	CU SN	Level-3-245C-168 HR	-40 to 125	OPA453F	<a href="#">Samples</a>
OPA453TA	ACTIVE	TO-220	KC	7	50	Green (RoHS & no Sb/Br)	CU SN	N / A for Pkg Type	-40 to 125	OPA453T	<a href="#">Samples</a>
OPA453TA-1	ACTIVE	TO-220	KVT	7	50	Green (RoHS & no Sb/Br)	CU SN	N / A for Pkg Type	-40 to 125	OPA453T	<a href="#">Samples</a>
OPA453TA-1G3	ACTIVE	TO-220	KVT	7	50	Green (RoHS & no Sb/Br)	CU SN	N / A for Pkg Type	-40 to 125	OPA453T	<a href="#">Samples</a>
OPA453TAG3	ACTIVE	TO-220	KC	7	50	Green (RoHS & no Sb/Br)	CU SN	N / A for Pkg Type	-40 to 125	OPA453T	<a href="#">Samples</a>

(1) The marketing status values are defined as follows:

**ACTIVE:** Product device recommended for new designs.

**LIFEBUY:** TI has announced that the device will be discontinued, and a lifetime-buy period is in effect.

**NRND:** Not recommended for new designs. Device is in production to support existing customers, but TI does not recommend using this part in a new design.

**PREVIEW:** Device has been announced but is not in production. Samples may or may not be available.

**OBSOLETE:** TI has discontinued the production of the device.

---

<sup>(2)</sup> Eco Plan - The planned eco-friendly classification: Pb-Free (RoHS), Pb-Free (RoHS Exempt), or Green (RoHS & no Sb/Br) - please check <http://www.ti.com/productcontent> for the latest availability information and additional product content details.

**TBD:** The Pb-Free/Green conversion plan has not been defined.

**Pb-Free (RoHS):** TI's terms "Lead-Free" or "Pb-Free" mean semiconductor products that are compatible with the current RoHS requirements for all 6 substances, including the requirement that lead not exceed 0.1% by weight in homogeneous materials. Where designed to be soldered at high temperatures, TI Pb-Free products are suitable for use in specified lead-free processes.

**Pb-Free (RoHS Exempt):** This component has a RoHS exemption for either 1) lead-based flip-chip solder bumps used between the die and package, or 2) lead-based die adhesive used between the die and leadframe. The component is otherwise considered Pb-Free (RoHS compatible) as defined above.

**Green (RoHS & no Sb/Br):** TI defines "Green" to mean Pb-Free (RoHS compatible), and free of Bromine (Br) and Antimony (Sb) based flame retardants (Br or Sb do not exceed 0.1% by weight in homogeneous material)

<sup>(3)</sup> MSL, Peak Temp. - The Moisture Sensitivity Level rating according to the JEDEC industry standard classifications, and peak solder temperature.

<sup>(4)</sup> There may be additional marking, which relates to the logo, the lot trace code information, or the environmental category on the device.

<sup>(5)</sup> Multiple Device Markings will be inside parentheses. Only one Device Marking contained in parentheses and separated by a "~" will appear on a device. If a line is indented then it is a continuation of the previous line and the two combined represent the entire Device Marking for that device.

<sup>(6)</sup> Lead/Ball Finish - Orderable Devices may have multiple material finish options. Finish options are separated by a vertical ruled line. Lead/Ball Finish values may wrap to two lines if the finish value exceeds the maximum column width.

**Important Information and Disclaimer:** The information provided on this page represents TI's knowledge and belief as of the date that it is provided. TI bases its knowledge and belief on information provided by third parties, and makes no representation or warranty as to the accuracy of such information. Efforts are underway to better integrate information from third parties. TI has taken and continues to take reasonable steps to provide representative and accurate information but may not have conducted destructive testing or chemical analysis on incoming materials and chemicals. TI and TI suppliers consider certain information to be proprietary, and thus CAS numbers and other limited information may not be available for release.

In no event shall TI's liability arising out of such information exceed the total purchase price of the TI part(s) at issue in this document sold by TI to Customer on an annual basis.

**TAPE AND REEL INFORMATION**

**QUADRANT ASSIGNMENTS FOR PIN 1 ORIENTATION IN TAPE**


\*All dimensions are nominal

Device	Package Type	Package Drawing	Pins	SPQ	Reel Diameter (mm)	Reel Width W1 (mm)	A0 (mm)	B0 (mm)	K0 (mm)	P1 (mm)	W (mm)	Pin1 Quadrant
OPA452FA/500	DDPAK/ TO-263	KTW	7	500	330.0	24.4	10.6	15.6	4.9	16.0	24.0	Q2
OPA452FAKTWT	DDPAK/ TO-263	KTW	7	250	330.0	24.4	10.6	15.6	4.9	16.0	24.0	Q2
OPA453FAKTWT	DDPAK/ TO-263	KTW	7	250	330.0	24.4	10.6	15.6	4.9	16.0	24.0	Q2



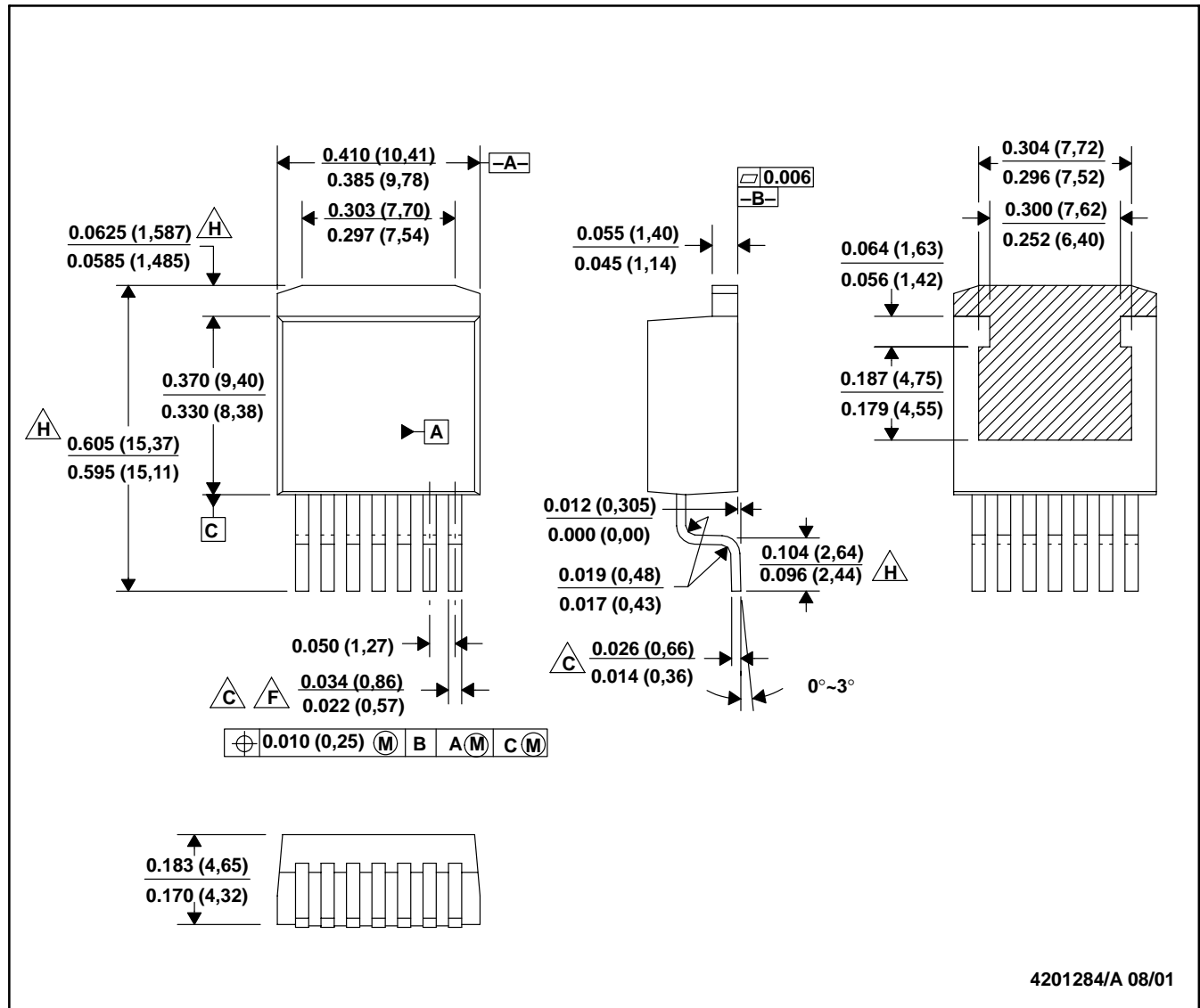
**TAPE AND REEL BOX DIMENSIONS**


\*All dimensions are nominal

Device	Package Type	Package Drawing	Pins	SPQ	Length (mm)	Width (mm)	Height (mm)
OPA452FA/500	DDPAK/TO-263	KTW	7	500	367.0	367.0	45.0
OPA452FAKTWT	DDPAK/TO-263	KTW	7	250	367.0	367.0	45.0
OPA453FAKTWT	DDPAK/TO-263	KTW	7	250	367.0	367.0	45.0

## KTW (R-PSFM-G7)

## PLASTIC FLANGE-MOUNT

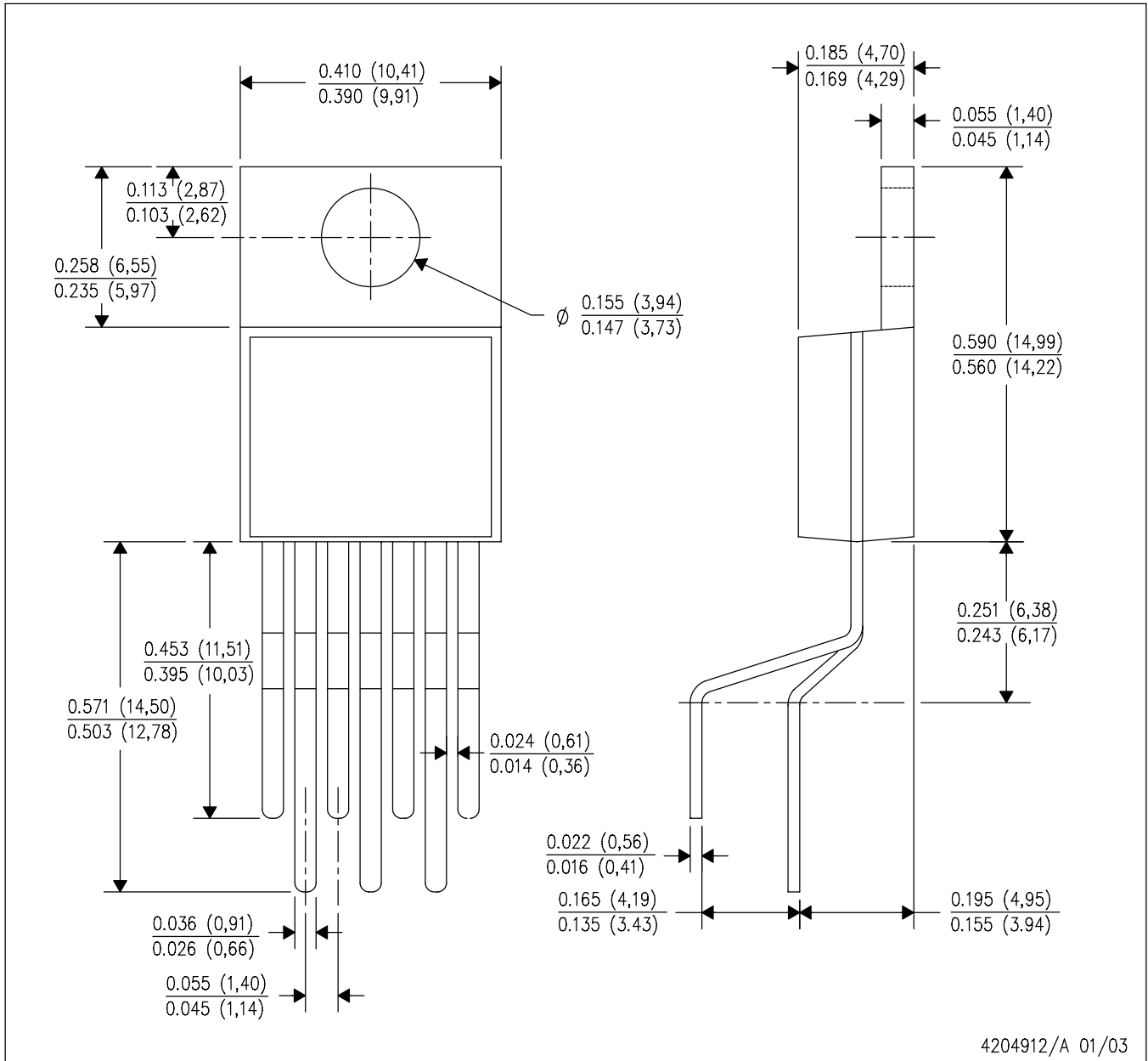


4201284/A 08/01

- NOTES:
- All linear dimensions are in inches (millimeters).
  - This drawing is subject to change without notice.
  - $\triangle C$ : Lead width and height dimensions apply to the plated lead.
  - Leads are not allowed above the Datum B.
  - Stand-off height is measured from lead tip with reference to Datum B.
  - $\triangle F$ : Lead width dimension does not include dambar protrusion. Allowable dambar protrusion shall not cause the lead width to exceed the maximum dimension by more than 0.003".
  - Cross-hatch indicates exposed metal surface.
  - $\triangle H$ : Falls within JEDEC MO-169 with the exception of the dimensions indicated.

KVT (R-PZFM-T7)

PLASTIC FLANGE MOUNT PACKAGE

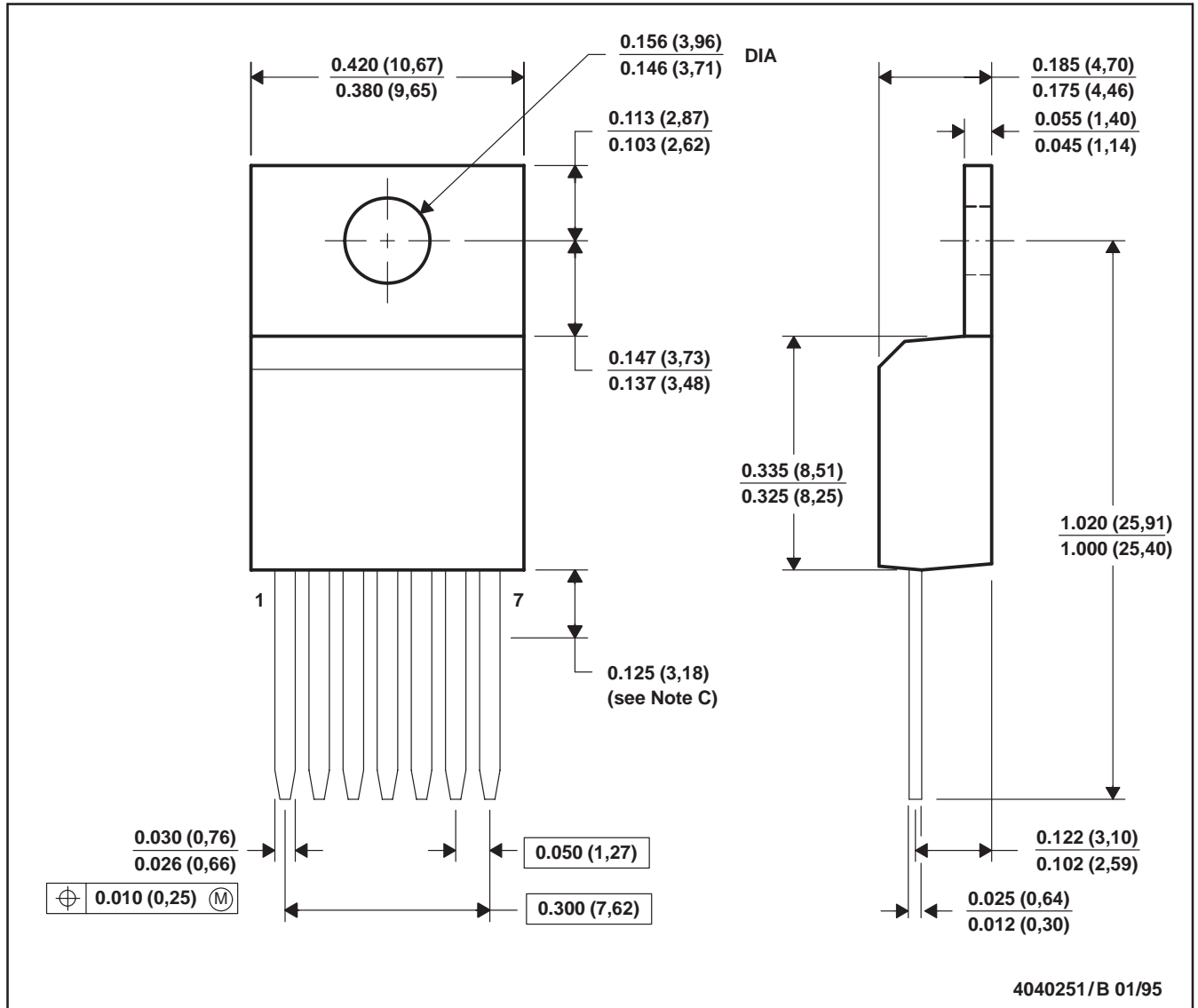


4204912/A 01/03

NOTES: A. All linear dimensions are in inches (millimeters).  
B. This drawing is subject to change without notice.

KC (R-PSFM-T7)

PLASTIC FLANGE-MOUNT PACKAGE



- NOTES: A. All linear dimensions are in inches (millimeters).  
 B. This drawing is subject to change without notice.  
 C. Lead dimensions are not controlled within this area.  
 D. All lead dimensions apply before solder dip.  
 E. The center lead is in electrical contact with the mounting tab.

## IMPORTANT NOTICE

Texas Instruments Incorporated (TI) reserves the right to make corrections, enhancements, improvements and other changes to its semiconductor products and services per JESD46, latest issue, and to discontinue any product or service per JESD48, latest issue. Buyers should obtain the latest relevant information before placing orders and should verify that such information is current and complete.

TI's published terms of sale for semiconductor products (<http://www.ti.com/sc/docs/stdterms.htm>) apply to the sale of packaged integrated circuit products that TI has qualified and released to market. Additional terms may apply to the use or sale of other types of TI products and services.

Reproduction of significant portions of TI information in TI data sheets is permissible only if reproduction is without alteration and is accompanied by all associated warranties, conditions, limitations, and notices. TI is not responsible or liable for such reproduced documentation. Information of third parties may be subject to additional restrictions. Resale of TI products or services with statements different from or beyond the parameters stated by TI for that product or service voids all express and any implied warranties for the associated TI product or service and is an unfair and deceptive business practice. TI is not responsible or liable for any such statements.

Buyers and others who are developing systems that incorporate TI products (collectively, "Designers") understand and agree that Designers remain responsible for using their independent analysis, evaluation and judgment in designing their applications and that Designers have full and exclusive responsibility to assure the safety of Designers' applications and compliance of their applications (and of all TI products used in or for Designers' applications) with all applicable regulations, laws and other applicable requirements. Designer represents that, with respect to their applications, Designer has all the necessary expertise to create and implement safeguards that (1) anticipate dangerous consequences of failures, (2) monitor failures and their consequences, and (3) lessen the likelihood of failures that might cause harm and take appropriate actions. Designer agrees that prior to using or distributing any applications that include TI products, Designer will thoroughly test such applications and the functionality of such TI products as used in such applications.

TI's provision of technical, application or other design advice, quality characterization, reliability data or other services or information, including, but not limited to, reference designs and materials relating to evaluation modules, (collectively, "TI Resources") are intended to assist designers who are developing applications that incorporate TI products; by downloading, accessing or using TI Resources in any way, Designer (individually or, if Designer is acting on behalf of a company, Designer's company) agrees to use any particular TI Resource solely for this purpose and subject to the terms of this Notice.

TI's provision of TI Resources does not expand or otherwise alter TI's applicable published warranties or warranty disclaimers for TI products, and no additional obligations or liabilities arise from TI providing such TI Resources. TI reserves the right to make corrections, enhancements, improvements and other changes to its TI Resources. TI has not conducted any testing other than that specifically described in the published documentation for a particular TI Resource.

Designer is authorized to use, copy and modify any individual TI Resource only in connection with the development of applications that include the TI product(s) identified in such TI Resource. NO OTHER LICENSE, EXPRESS OR IMPLIED, BY ESTOPPEL OR OTHERWISE TO ANY OTHER TI INTELLECTUAL PROPERTY RIGHT, AND NO LICENSE TO ANY TECHNOLOGY OR INTELLECTUAL PROPERTY RIGHT OF TI OR ANY THIRD PARTY IS GRANTED HEREIN, including but not limited to any patent right, copyright, mask work right, or other intellectual property right relating to any combination, machine, or process in which TI products or services are used. Information regarding or referencing third-party products or services does not constitute a license to use such products or services, or a warranty or endorsement thereof. Use of TI Resources may require a license from a third party under the patents or other intellectual property of the third party, or a license from TI under the patents or other intellectual property of TI.

TI RESOURCES ARE PROVIDED "AS IS" AND WITH ALL FAULTS. TI DISCLAIMS ALL OTHER WARRANTIES OR REPRESENTATIONS, EXPRESS OR IMPLIED, REGARDING RESOURCES OR USE THEREOF, INCLUDING BUT NOT LIMITED TO ACCURACY OR COMPLETENESS, TITLE, ANY EPIDEMIC FAILURE WARRANTY AND ANY IMPLIED WARRANTIES OF MERCHANTABILITY, FITNESS FOR A PARTICULAR PURPOSE, AND NON-INFRINGEMENT OF ANY THIRD PARTY INTELLECTUAL PROPERTY RIGHTS. TI SHALL NOT BE LIABLE FOR AND SHALL NOT DEFEND OR INDEMNIFY DESIGNER AGAINST ANY CLAIM, INCLUDING BUT NOT LIMITED TO ANY INFRINGEMENT CLAIM THAT RELATES TO OR IS BASED ON ANY COMBINATION OF PRODUCTS EVEN IF DESCRIBED IN TI RESOURCES OR OTHERWISE. IN NO EVENT SHALL TI BE LIABLE FOR ANY ACTUAL, DIRECT, SPECIAL, COLLATERAL, INDIRECT, PUNITIVE, INCIDENTAL, CONSEQUENTIAL OR EXEMPLARY DAMAGES IN CONNECTION WITH OR ARISING OUT OF TI RESOURCES OR USE THEREOF, AND REGARDLESS OF WHETHER TI HAS BEEN ADVISED OF THE POSSIBILITY OF SUCH DAMAGES.

Unless TI has explicitly designated an individual product as meeting the requirements of a particular industry standard (e.g., ISO/TS 16949 and ISO 26262), TI is not responsible for any failure to meet such industry standard requirements.

Where TI specifically promotes products as facilitating functional safety or as compliant with industry functional safety standards, such products are intended to help enable customers to design and create their own applications that meet applicable functional safety standards and requirements. Using products in an application does not by itself establish any safety features in the application. Designers must ensure compliance with safety-related requirements and standards applicable to their applications. Designer may not use any TI products in life-critical medical equipment unless authorized officers of the parties have executed a special contract specifically governing such use. Life-critical medical equipment is medical equipment where failure of such equipment would cause serious bodily injury or death (e.g., life support, pacemakers, defibrillators, heart pumps, neurostimulators, and implantables). Such equipment includes, without limitation, all medical devices identified by the U.S. Food and Drug Administration as Class III devices and equivalent classifications outside the U.S.

TI may expressly designate certain products as completing a particular qualification (e.g., Q100, Military Grade, or Enhanced Product). Designers agree that it has the necessary expertise to select the product with the appropriate qualification designation for their applications and that proper product selection is at Designers' own risk. Designers are solely responsible for compliance with all legal and regulatory requirements in connection with such selection.

Designer will fully indemnify TI and its representatives against any damages, costs, losses, and/or liabilities arising out of Designer's non-compliance with the terms and provisions of this Notice.