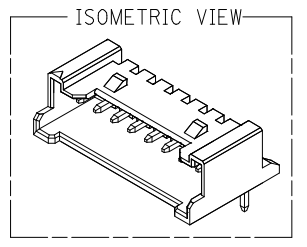
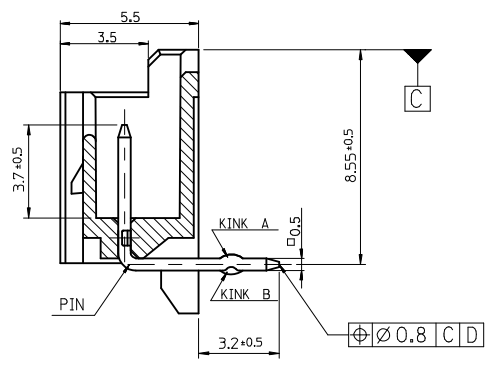
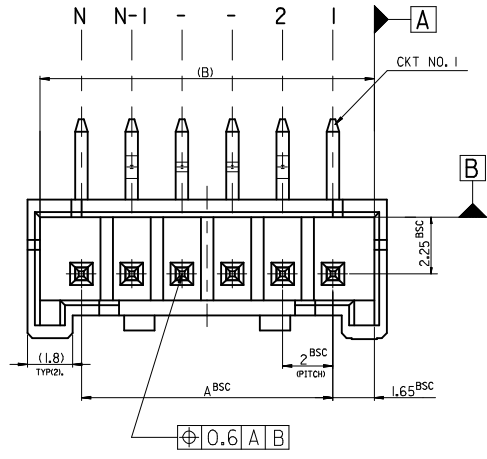


LEAD FREE



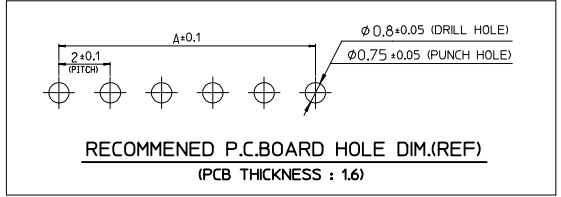
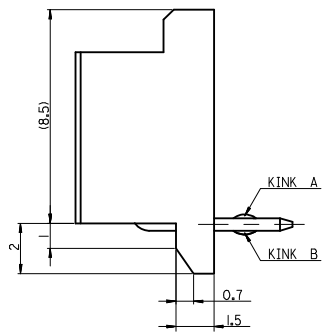
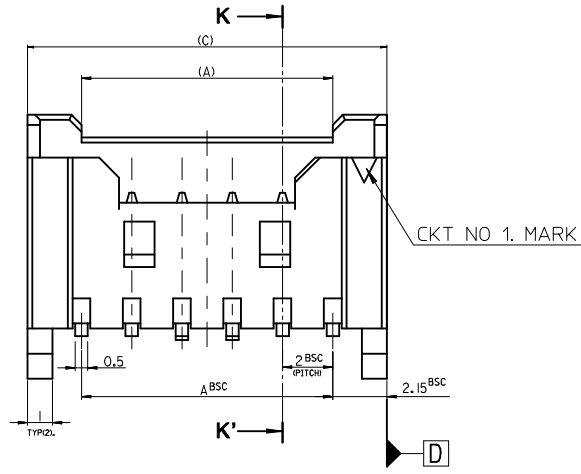
**LEGEND**

SD-35363-\*\*\* 6 \* COLOR

- 0 : NATURAL
- 1 : BLACK
- 2 : RED
- 3 : YELLOW
- 4 : BLUE
- 5 : GREEN

CKT NO. \_\_\_\_\_

LEAD FREE \_\_\_\_\_



32.3	31.3	28	156*	- 156*	15
30.3	29.3	26	146*	- 146*	14
28.3	27.3	24	136*	- 136*	13
26.3	25.3	22	126*	- 126*	12
24.3	23.3	20	116*	- 116*	11
22.3	21.3	18	106*	- 106*	10
20.3	19.3	16	096*	- 096*	9
18.3	17.3	14	086*	- 086*	8
16.3	15.3	12	076*	- 076*	7
14.3	13.3	10	066*	- 066*	6
12.3	11.3	8	056*	- 056*	5
10.3	9.3	6	35363046*	35363-046*	4
(C)	(B)	A	MATERIAL NO.	ENG. NO.	CKT

- NOTES**
1. MATERIAL : WAFER - UNFILLED POLYAMIDE, UL94V-0  
PIN - BRASS
  2. FINISHES : PIN - Tint(Sn) 1 ~ 3 MICROMETER OVERALL
  3. PRODUCT SPECIFICATION : PS-35507-003
  4. MATES WITH : HOUSING - 35507-\*\*\*0\*  
TERMINAL - 50212-8000

CKT	1	2	3	4	5	N-2	N-1	N
6 CKT OVER	-	A	B	-	-	B	A	-
5 CKT	A	B	-	B	A			
4 CKT	A	B	B	A				

30 over	±0.3
10 over 30 under	±0.25
10 under	±0.2
ANGLE	±3°
GENERAL TOLERANCE	

REVISED  
 IEC NO: KOR2015-0019  
 DRWN: KIM01 2014/08/25  
 CH'K: KSKIM 2014/08/26  
 APPR: YSKIM02 2014/09/03

QUALITY SYMBOLS  
 F=0  
 F=0  
 F=0

GENERAL TOLERANCES (UNLESS SPECIFIED)

	mm	INCH
4 PLACES	± ---	± ---
3 PLACES	± ---	± ---
2 PLACES	± ---	± ---
1 PLACE	± ---	± ---
0 PLACE	±	±

ANGULAR ± --- °  
 DRAFT WHERE APPLICABLE MUST REMAIN WITHIN DIMENSIONS

DIMENSION STYLE  
**MM ONLY**

SCALE  
**5:1**

DESIGN UNITS  
**METRIC**

THIRD ANGLE PROJECTION

DRAWN BY: YSOOKIM  
 DATE: 1996/09/11

CHECKED BY: JKOH  
 DATE: 1996/09/11

APPROVED BY: \_\_\_\_\_  
 DATE: \_\_\_\_\_

MATERIAL NO. \_\_\_\_\_  
 DOCUMENT NO. SD-35363-002

SIZE: **A3**

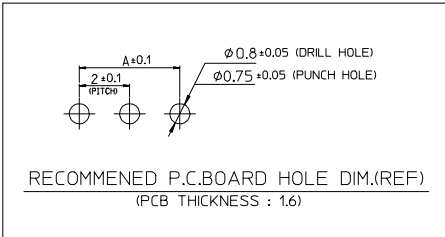
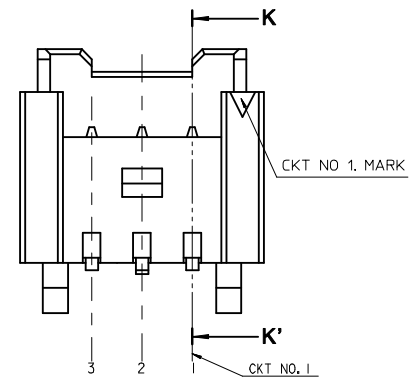
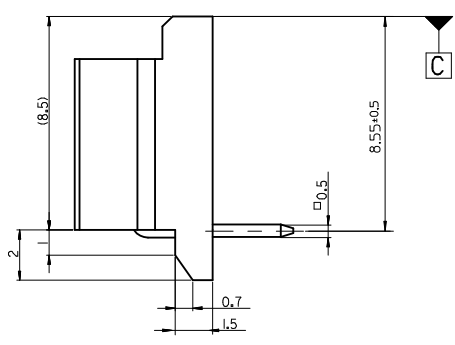
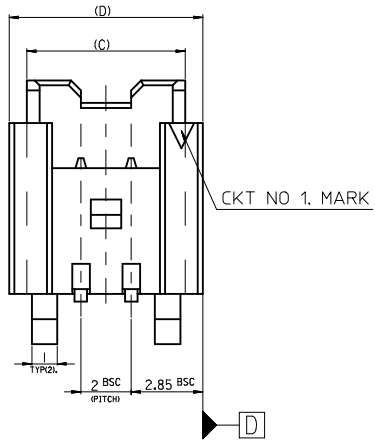
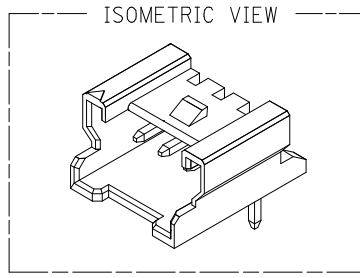
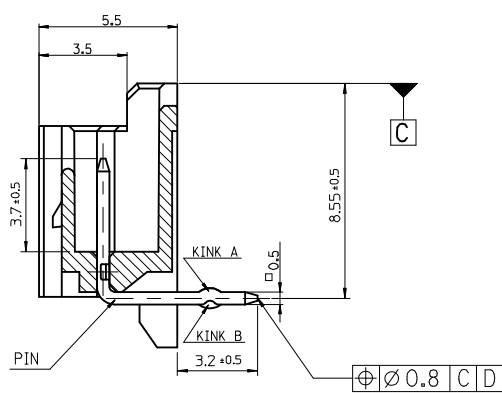
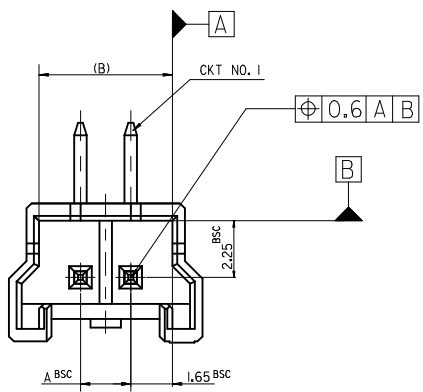
TITLE  
**2.0 W/B WAFER R/A ASS'Y -LEAD FREE-**

**molex**

SHEET NO.  
 1 OF 1

THIS DRAWING CONTAINS INFORMATION THAT IS PROPRIETARY TO MOLEX INCORPORATED AND SHOULD NOT BE USED WITHOUT WRITTEN PERMISSION

FOR 2 & 3 CKTS. LEAD FREE



**LEGEND**

SD-35363-\*\*-6\* COLOR

- 0 : NATURAL
- 1 : BLACK
- 2 : RED
- 3 : YELLOW
- 4 : BLUE
- 5 : GREEN

- NOTES**
- MATERIAL : WAFER - UNFILLED POLYAMIDE, UL94V-0  
PIN - BRASS
  - FINISHES : PIN - Tin(Sn) 1 ~ 3 MICROMETER OVERALL
  - PRODUCT SPECIFICATION : PS-35507-003
  - MATES WITH : HOUSING - 35507-\*\*-0\*  
TERMINAL - 50212-8000
  - KINK

CKT	CKT NO	1	2	3
2 CKT	NONE KINK			
3 CKT	A B A			

30 over	±0.3
10 over 30 under	±0.25
10 under	±0.2
ANGLE	±3°
GENERAL TOLERANCE	

REVISED	EC NO: KOR2015-0019
DRW:KTK1M01	2014/08/25
CHK:KSKIM	2014/08/26
APPR:YSK1M02	2014/09/03
REV	DESCRIPTION

QUALITY SYMBOLS	▽=0
	▽=0
	▽=0

GENERAL TOLERANCES (UNLESS SPECIFIED)	
	mm
4 PLACES	± ---
3 PLACES	± ---
2 PLACES	± ---
1 PLACE	± ---
0 PLACE	±
ANGULAR ± --- °	
DRAFT WHERE APPLICABLE MUST REMAIN WITHIN DIMENSIONS	

DIMENSION STYLE	
MM ONLY	
DRAWN BY	DATE
YSOOKIM	1996/09/11
CHECKED BY	DATE
JKOH	1996/09/11
APPROVED BY	DATE

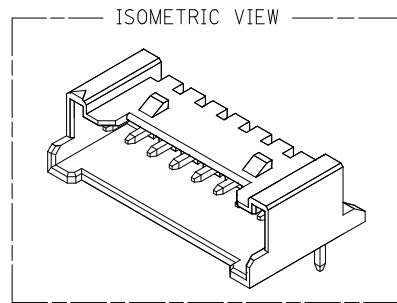
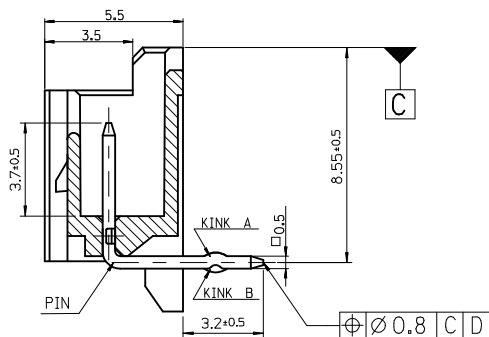
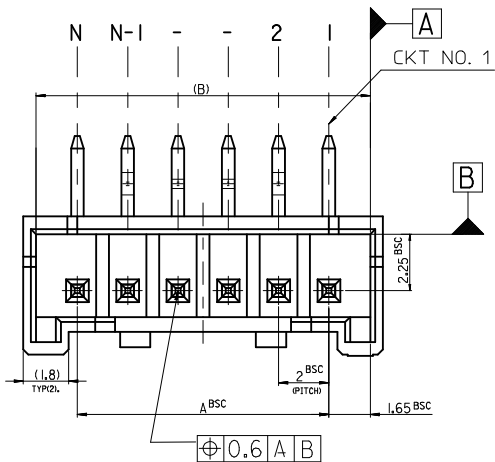
SCALE	DESIGN UNITS	THIRD ANGLE PROJECTION
5:1	METRIC	☉

TITLE  
2.0 W/B WAFER R/A ASS'Y  
-LEAD FREE-

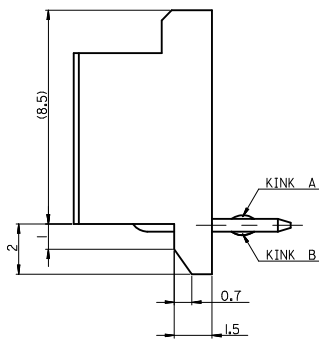
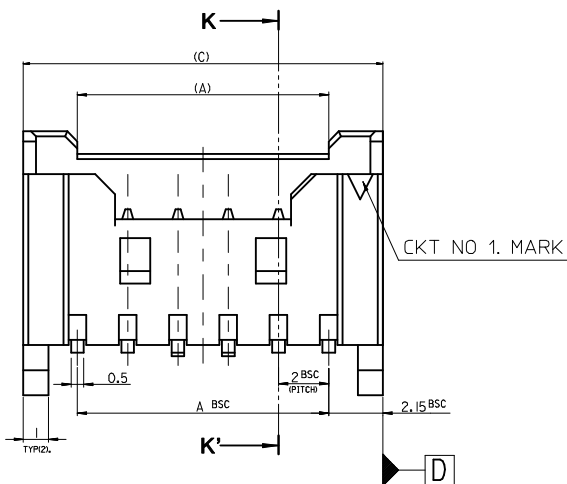
**molex**

MATERIAL NO.	DOCUMENT NO.	SHEET NO.
SEE TABLE	SD-35363-002	1 OF 1
THIS DRAWING CONTAINS INFORMATION THAT IS PROPRIETARY TO MOLEX INCORPORATED AND SHOULD NOT BE USED WITHOUT WRITTEN PERMISSION		

LEAD FREE

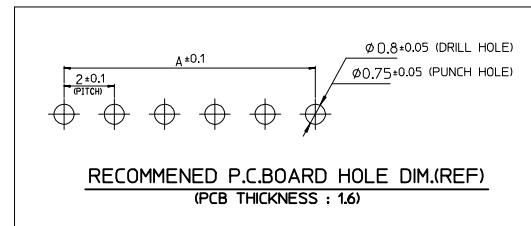


SECTION K-K'



LEGEND

SD-35363-*** 6 *	COLOR	0 : NATURAL
CKT NO.		1 : BLACK
LEAD FREE		2 : RED
		3 : YELLOW
		4 : BLUE
		5 : GREEN



NOTES

- MATERIAL : WAFER - UNFILLED POLYAMIDE, UL94V-0  
PIN - BRASS
- FINISHES : PIN - Tin(Sn) 1 ~ 3 MICROMETER OVERALL
- PRODUCT SPECIFICATION : PS-35507-003
- MATES WITH : HOUSING - 35507-\*\*0\*  
TERMINAL - 50212-8000
- KINK

CKT NO	1	2	3	4	N-3	N-2	N-1	N
20	-	A	B	-	-	B	A	-

30 over	±0.3
10 over 30 under	±0.25
10 under	±0.2
ANGLE	±3°
GENERAL TOLERANCE	

REVISED	EC NO: KOR2015-0019
D	DRWN:TKIM01 2014/08/25
	CHK:KSKIM 2014/08/26
	APPR:YSKIM02 2014/09/03
REV	DESCRIPTION

QUALITY SYMBOLS
$\nabla = 0$
$\nabla = 0$
$\nabla = 0$

GENERAL TOLERANCES (UNLESS SPECIFIED)	
	mm
4 PLACES	± ---
3 PLACES	± ---
2 PLACES	± ---
1 PLACE	± ---
0 PLACE	±
ANGULAR ± --- °	
DRAFT WHERE APPLICABLE MUST REMAIN WITHIN DIMENSIONS	

42.3	41.3	38	35363206*	35363-206*	20
(C)	(B)	A	MATERIAL NO.	ENG. NO.	CKT
DIMENSION STYLE		SCALE	DESIGN UNITS	THIRD ANGLE PROJECTION	
MM ONLY		5:1	METRIC		
DRAWN BY		DATE	TITLE		
YSOOKIM		1998/04/23	2.0 W/B WAFER R/A ASS'Y -LEAD FREE-		
CHECKED BY		DATE			
JKOH		1998/04/23			
APPROVED BY		DATE			
MATERIAL NO.		DOCUMENT NO.	SHEET NO.		
SEE TABLE		SD-35363-002	1 OF 1		
THIS DRAWING CONTAINS INFORMATION THAT IS PROPRIETARY TO MOLEX INCORPORATED AND SHOULD NOT BE USED WITHOUT WRITTEN PERMISSION					