

THIS DRAWING IS UNPUBLISHED.

RELEASED FOR PUBLICATION JUN , 1998.

© COPYRIGHT 1998 By Tyco Electronics Japan G.K.

ALL RIGHTS RESERVED.

LOC	DIST	REVISIONS					
J	—	P	LTR	DESCRIPTION	DATE	DWN	APVD
			D3	REVISED PER ECE-15-010518	20JULY15	SC	DZ

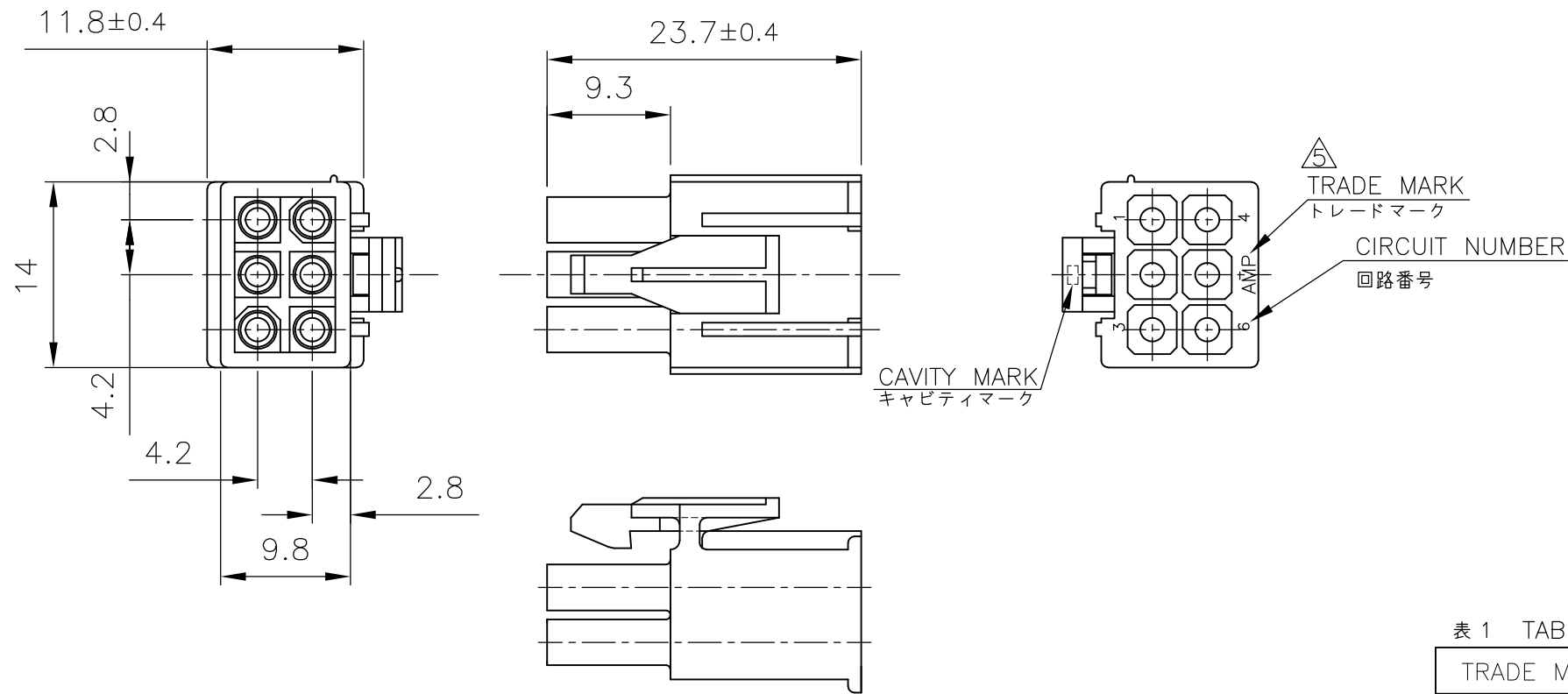


表 1 TABLE 1

TRADE MARK	MANUFACTURING PLACE
-AMP OR AMP	JAPAN
-+AMP OR AMP	CHINA (PRC)

NOTE)

1. APPLIED CONTACT P/N:170359,170360,170361,170362
2. MATING CONN. :CAP HOUSING P/N:172160
3. INSTRUCTION SHEET :IS-105J
4. PRODUCT SPEC :108-5138

△ SEE TABLE 1

△ OBSOLETE PARTS: OBSOLETE CIS STREAMLINING PER D.RENAUD/D.SINISI

△ PRELIMINARY PART NOT RELEASED FOR PRODUCTION.

注記)

1. 使用端子親型番は 170359,170360,170361,170362
2. 嵌合相手キャップハウジング型番はロ-172160-0
3. 取扱説明書 :IS-105J
4. 製品規格 :108-5138

△ 表 1参照

△ OBSOLETE PARTS: OBSOLETE CIS STREAMLINING PER D.RENAUD/D.SINISI



OBSOLETE

THIS DRAWING IS A CONTROLLED DOCUMENT.		DWN	15JUN1998		TE Connectivity NAME 名称 MINI UNIVERSAL MATE-N-LOK PLUG HOUSING 6POS. UL94V-0 6極ミニ・ユニバーサル メイテンロック コネクタ プラグハウジング
DIMENSIONS: 単位: 耗 mm		CHK	15JUN1998		
TOLERANCES UNLESS OTHERWISE SPECIFIED: 一般公差		APVD	15JUN1998		
0 PLC ± 0.3 1 PLC ± 0.3 2 PLC ± 0.3 3 PLC ± 0.3 4 PLC ± 0.3 ANGLES ± 1°		PRODUCT SPEC	108-5138		
MATERIAL 材料 66NYLON (UL94V-0)		FINISH 仕上	WEIGHT		SIZE
		CUSTOMER DRAWING		A3 00779	
				DRAWING NO 番号 C-172168	
				RESTRICTED TO	
				SCALE 尺度 2:1	
				SHEET 1 OF 1	
				REV D3	