



## 产品规格书

GOODARK型号：BAV70

构造：开关二极管

Construction : Switch rectifiers

用途 : 一般开关用

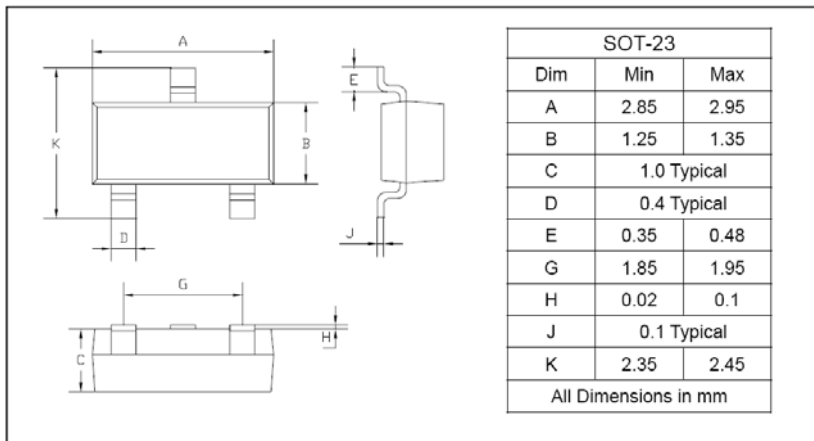
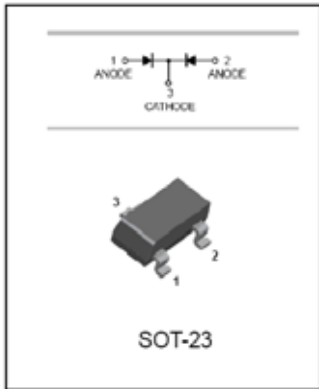
Application : For General Purpose Switching Application

内容

### CONTENTS

- |           |                                    |
|-----------|------------------------------------|
| 1. 外形图和尺寸 | Case Dimension                     |
| 2. 印字规范   | Marking Spec                       |
| 3. 最大定格   | Absolute Maximum Rating            |
| 4. 电气特性   | Electrical Characteristics         |
| 5. 特性曲线   | Ratings and Characteristics Curves |
| 6. 包装规范   | Packing Spec                       |

1. 外形图和外形尺寸 Case Dimension (SOT-23 Type)



2. 印字规范 Marking Spec

印字 A4 ; Marking :A4

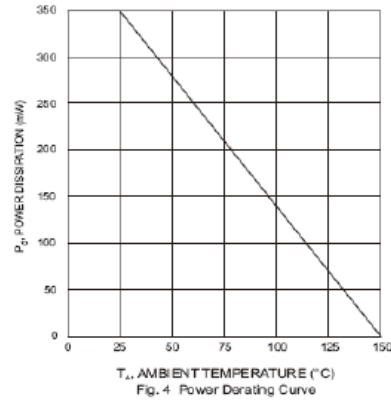
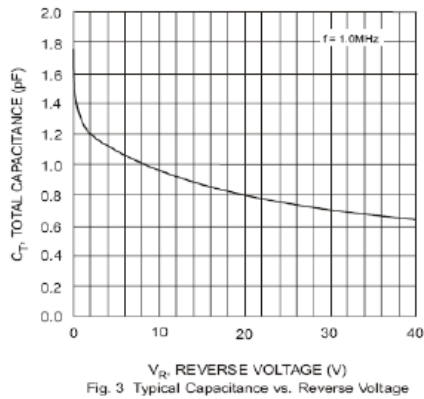
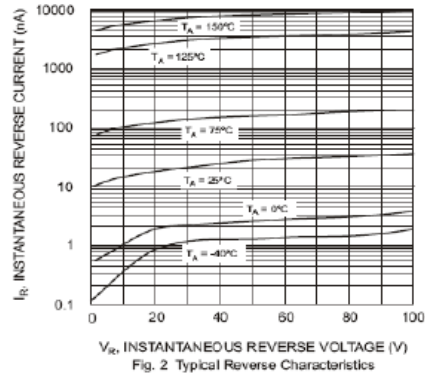
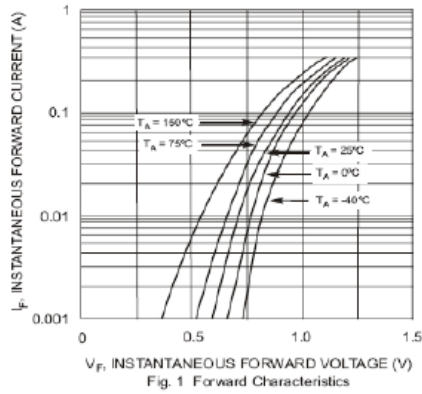
3. 最大定格 Absolute Maximum Rating

Parameter	Symbol	Limits	Unit
Non-Repetitive Peak reverse voltage	$V_{RM}$	100	V
Peak repetitive reverse voltage	$V_{RRM}$	75	V
Working peak reverse voltage	$V_{RWM}$		
DC Reverse Voltage	$V_R$		
RMS Reverse Voltage	$V_{R(RMS)}$	53	V
Forward continuous Current(Max.)	$I_{FM}$	300	mA
Average rectified output current	$I_O$	150	mA
Repetitive Peak Forward current	$I_{FRM}$	450	mA
Non-repetitive forward Surge Current	$I_{FSM}$	2.0	A
@t=1.0s		1.0	
Power Dissipation	$P_d$	350	mW
Thermal resistance, junction to ambient air	$R_{\theta JA}$	357	$^{\circ}C/W$
Junction temperature	$T_j$	150	$^{\circ}C$
Storage temperature range	$T_{stg}$	-65 to +150	$^{\circ}C$

#### 4. 电气特性 Electrical Characteristics

Parameter	Symbol	Test conditions	MIN	MAX	UNIT
Reverse breakdown voltage	$V_{(BR)R}$	$I_R = 2.5\mu A$	75		V
Reverse voltage leakage current	$I_R$	$V_R = 75V$		2.5	$\mu A$
		$V_R = 20V$		25	nA
		$V_R = 75V, T_J = 150^\circ C$		50	$\mu A$
		$V_R = 25V, T_J = 150^\circ C$		30	$\mu A$
Forward voltage	$V_F$	$I_F = 1mA$		715	mV
		$I_F = 10mA$		855	
		$I_F = 50mA$		1000	
		$I_F = 150mA$		1250	
Total capacitance	$C_T$	$V_R = 0V, f = 1MHz$		2.0	pF
Reverse recovery time	$t_{rr}$	$I_F = I_R = 10mA, I_R = 1mA, V_R = 5V, R_L = 100\Omega$		4	ns

#### 5. 特性曲线 Ratings and Characteristics Curves



#### 6. 包装规范 Packing Spec

3000 PCS /Tape