

DLP0NSN121HL2#

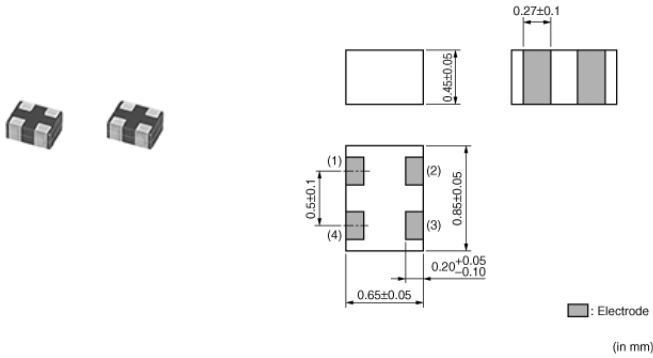
“#” indicates a package specification code.



< List of part numbers with package codes >

DLP0NSN121HL2B DLP0NSN121HL2L

Appearance & Shape



Features

1. Small size and tight dimensional tolerance
Size:0.85x0.65x0.45mm
Tolerance:+-0.05mm
2. High common mode impedance up to 120ohm (at 100MHz) is available.
3. DLP0NS series enables noise suppression for differential signal line without distortion in high-speed signal transmission due to its line impedance matching.
4. High Cut-off Frequency. (DLP0NSA150HL2 3GHz typ.)

Application

Common mode noise suppression of high speed differential signal lines for USB 2.0, IEEE1394, LVDS etc.

1. Note PCs
 2. Cellular phones
 3. Digital Still Cameras, Digital Video Cameras
 4. Designed to match signal line characteristic impedance
- ※DLP0NSC280HL2/DLP0NSC900HL2 is designed to meet mipi D-phy.
※DLP0NSA150HL2 is designed to meet Display Port.
※DLP0NSA070HL2 is designed to meet SI requirement of SATA.

Applications

Other Usage	For general
-------------	-------------

Packaging Information

Packaging	Specifications	Minimum Order Quantity
B	Bulk(Bag)	500
L	180mm Embossed Tape	10000

Attention

- 1.This datasheet is downloaded from the website of Murata Manufacturing Co., Ltd. Therefore, it's specifications are subject to change or our products in it may be discontinued without advance notice. Please check with our sales representatives or product engineers before ordering.
- 2.This datasheet has only typical specifications because there is no space for detailed specifications.
Therefore, please review our product specifications or consult the approval sheet for product specifications before ordering.

DLP0NSN121HL2#

“#” indicates a package specification code.



Specifications

Shape	SMD	Operating Temperature Range	-40°C to 85°C
Size Code (in mm)	0806	Mass(typ.)	0.001g
Size Code (in inch)	03025	Number of Circuit	1
Length	0.85mm	Operating Temperature Range(Self-temperature rise is included)	No
Length Tolerance	±0.05mm		
Width	0.65mm		
Width Tolerance	±0.05mm		
Thickness	0.45mm		
Thickness Tolerance	±0.05mm		
Common Mode Impedance (at 100MHz)	120Ω		
Common Mode Impedance (at 100MHz) Tolerance	±20%		
Rated Current	90mA		
Rated Voltage	5Vdc		
Withstanding Voltage	12.5Vdc		
DC Resistance(max.)	4.75Ω		
DC Resistance	3.8Ω±25%		
Insulation Resistance(min.)	100MΩ		

Attention

1.This datasheet is downloaded from the website of Murata Manufacturing Co., Ltd. Therefore, it's specifications are subject to change or our products in it may be discontinued without advance notice. Please check with our sales representatives or product engineers before ordering.

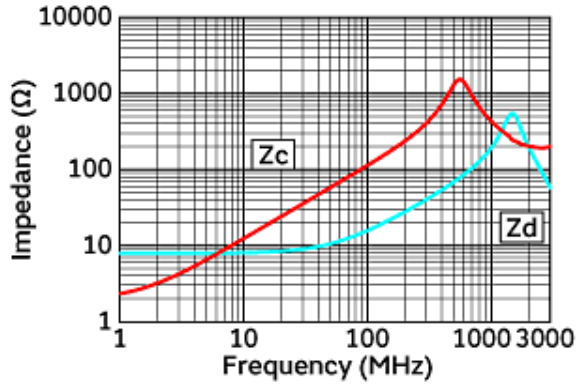
2.This datasheet has only typical specifications because there is no space for detailed specifications.

Therefore, please review our product specifications or consult the approval sheet for product specifications before ordering.

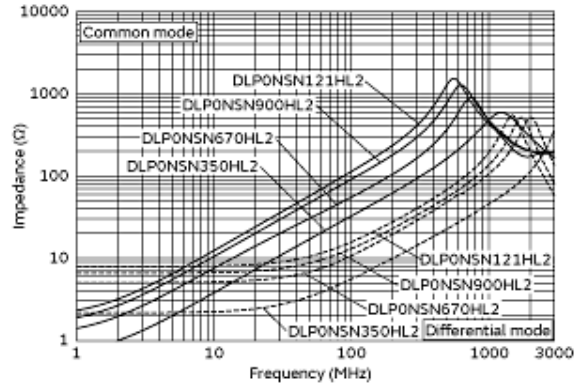
DLP0NSN121HL2#

“#” indicates a package specification code.

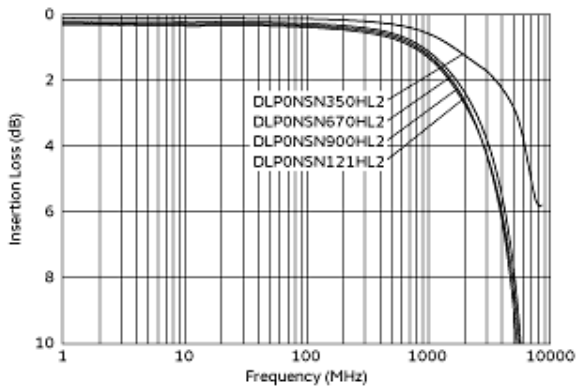
Product Data



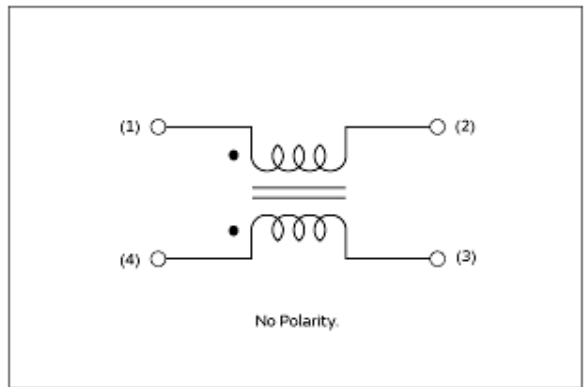
Impedance-Frequency Characteristics



Impedance-Frequency Characteristics (Main Items)



Differential Mode Transmission Characteristics (Typical Value)



Equivalent Circuit

Attention

- 1.This datasheet is downloaded from the website of Murata Manufacturing Co., Ltd. Therefore, it's specifications are subject to change or our products in it may be discontinued without advance notice. Please check with our sales representatives or product engineers before ordering.
- 2.This datasheet has only typical specifications because there is no space for detailed specifications.
Therefore, please review our product specifications or consult the approval sheet for product specifications before ordering.