

## TRS3253E RS-232 Transceiver With Split Supply Pin for Logic Side

### 1 Features

- $V_L$  Pin for Compatibility With Mixed-Voltage Systems Down to 1.8 V on Logic Side
- Enhanced ESD Protection on RIN Inputs and DOUT Outputs
  - $\pm 15$ -kV IEC 61000-4-2 Air-Gap Discharge
  - $\pm 8$ -kV IEC 61000-4-2 Contact Discharge
  - $\pm 15$ -kV Human Body Model
- Low 300- $\mu$ A Supply Current
- Specified 1000-kbps Data Rate
- Auto Powerdown Plus Feature

### 2 Applications

- Hand-Held Equipment
- Cell Phones
- Battery-Powered Equipment
- Data Cables
- POS Equipment
- HDMI Switch Matrix
- Debug Ports

### 3 Description

The TRS3253E device is a three-driver and five-receiver RS-232 interface device, with split supply pins for mixed-signal operations without needing an external voltage translator. All RS-232 inputs and outputs are protected to  $\pm 15$  kV using the IEC 61000-4-2 Air-Gap Discharge method,  $\pm 8$  kV using the IEC 61000-4-2 Contact Discharge method, and  $\pm 15$  kV using the Human Body Model.

The charge pump requires only four capacitors for operation from a single 3.3-V or 5-V supply. The TRS3253E is capable of running at data rates up to 1000 kbps, while maintaining RS-232 compliant output levels.

The TRS3253E is available in a space-saving VQFN package (4-mm  $\times$  4-mm RSM).

Auto-powerdown-plus automatically powers down drivers to reduce power after 30 seconds of inactivity. In powerdown state supply current is 10  $\mu$ A maximum.

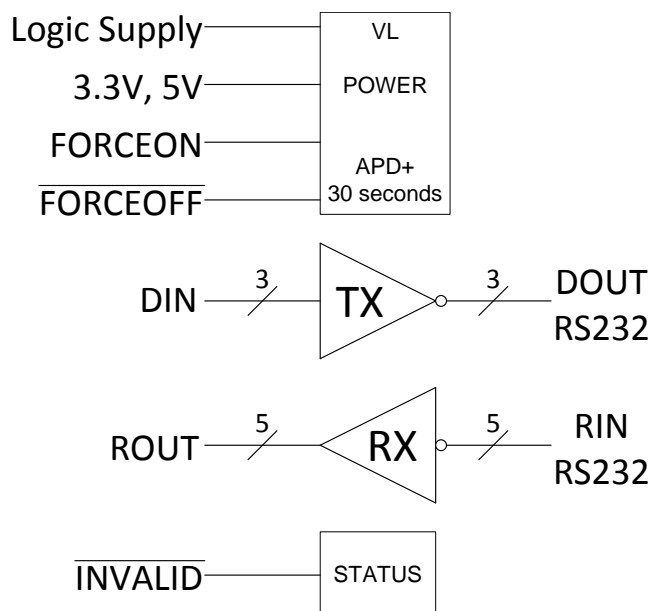
Receiver input voltage status is available on  $\overline{\text{INVALID}}$  logic output even when the device is in powerdown state.

#### Device Information<sup>(1)</sup>

| PART NUMBER | PACKAGE   | BODY SIZE (NOM)          |
|-------------|-----------|--------------------------|
| TRS3253ERSM | VQFN (32) | 4.00 mm $\times$ 4.00 mm |

(1) For all available packages, see the orderable addendum at the end of the data sheet.

#### Simplified Diagram



## Table of Contents

|          |  |           |           |   |           |
|----------|--|-----------|-----------|---|-----------|
| <b>1</b> | <b>Features</b> .....                            | <b>1</b>  | <b>8</b>  | <b>Detailed Description</b> .....                             | <b>13</b> |
| <b>2</b> | <b>Applications</b> .....                        | <b>1</b>  | 8.1       | Overview .....  | 13        |
| <b>3</b> | <b>Description</b> .....                         | <b>1</b>  | 8.2       | Functional Block Diagram .....                                | 13        |
| <b>4</b> | <b>Revision History</b> .....                    | <b>2</b>  | 8.3       | Feature Description .....                                     | 13        |
| <b>5</b> | <b>Pin Configuration and Functions</b> .....     | <b>3</b>  | 8.4       | Device Functional Modes .....                                 | 14        |
| <b>6</b> | <b>Specifications</b> .....                      | <b>5</b>  | <b>9</b>  | <b>Application and Implementation</b> .....                   | <b>15</b> |
| 6.1      | Absolute Maximum Ratings .....                   | 5         | 9.1       | Application Information .....                                 | 15        |
| 6.2      | ESD Ratings .....                                | 5         | 9.2       | Typical Application .....                                     | 15        |
| 6.3      | Recommended Operating Conditions .....           | 5         | <b>10</b> | <b>Power Supply Recommendations</b> .....                     | <b>18</b> |
| 6.4      | Thermal Information .....                        | 6         | <b>11</b> | <b>Layout</b> .....   | <b>18</b> |
| 6.5      | Electrical Characteristics—Power .....           | 6         | 11.1      | Layout Guidelines .....                                       | 18        |
| 6.6      | Electrical Characteristics—Driver .....          | 6         | 11.2      | Layout Example .....  | 18        |
| 6.7      | Electrical Characteristics—Receiver .....        | 6         | <b>12</b> | <b>Device and Documentation Support</b> .....                 | <b>19</b> |
| 6.8      | Electrical Characteristics—Status .....          | 7         | 12.1      | Receiving Notification of Documentation Updates .....         | 19        |
| 6.9      | Switching Characteristics—Driver .....           | 7         | 12.2      | Community Resources .....                                     | 19        |
| 6.10     | Switching Characteristics—Receiver .....         | 7         | 12.3      | Trademarks .....  | 19        |
| 6.11     | Switching Characteristics—Power and Status ..... | 8         | 12.4      | Electrostatic Discharge Caution .....                         | 19        |
| 6.12     | Typical Characteristics .....                    | 9         | 12.5      | Glossary .....  | 19        |
| <b>7</b> | <b>Parameter Measurement Information</b> .....   | <b>10</b> | <b>13</b> | <b>Mechanical, Packaging, and Orderable Information</b> ..... | <b>19</b> |

## 4 Revision History

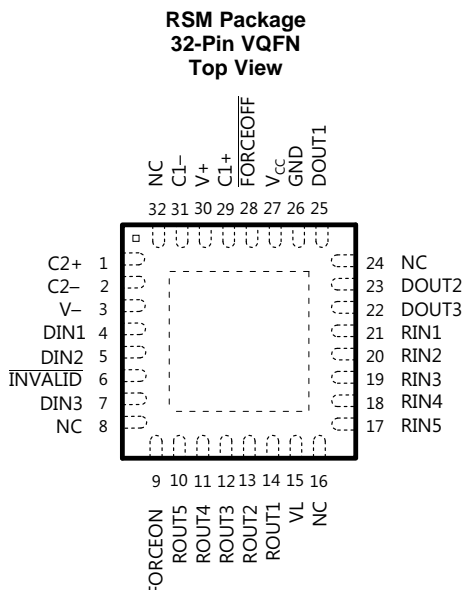
NOTE: Page numbers for previous revisions may differ from page numbers in the current version.

| Changes from Revision C (June 2015) to Revision D   | Page |
|---|------|
| <ul style="list-style-type: none"> <li>Changed "IEC61000-4-2, Contact Discharge" from "8 kV" to "15 kV" in <a href="#">Features</a>, <a href="#">Description</a>, <a href="#">Overview</a> and <a href="#">ESD Ratings</a> .....</li> </ul> | 5    |

---

| Changes from Revision B (December 2013) to Revision C  | Page |
|--|------|
| <ul style="list-style-type: none"> <li>Added <i>Device Information</i> table, <i>Pin Functions</i> table, <i>ESD Ratings</i> table, <i>Thermal Information</i> table, <i>Typical Characteristics</i>, <i>Feature Description</i> section, <i>Device Functional Modes</i>, <i>Application and Implementation</i> section, <i>Power Supply Recommendations</i> section, <i>Layout</i> section, <i>Device and Documentation Support</i> section, and <i>Mechanical, Packaging, and Orderable Information</i> section. ....</li> </ul> | 1    |

## 5 Pin Configuration and Functions



Power pad can be connected to GND or floating.

NC – No internal connection.

### Pin Functions

| PIN      |     | I/O | DESCRIPTION  |
|----------|-----|-----|--|
| NAME     | NO. |     |  |
| C1+      | 29  | —   | Positive terminals of the voltage-doubler charge-pump capacitors |
| C2+      | 1   |     |  |
| C1-      | 31  | —   | Negative terminals of the voltage-doubler charge-pump capacitors |
| C2-      | 2   |     |  |
| DIN1     | 4   | I   | Driver inputs  |
| DIN2     | 5   |     |  |
| DIN3     | 7   |     |  |
| DOUT1    | 25  | O   | RS-232 driver outputs  |
| DOUT2    | 23  |     |  |
| DOUT3    | 22  |     |  |
| FORCEOFF | 28  | I   | Auto-powerdown-plus control input                                |
| FORCEON  | 9   | I   | Auto-powerdown-plus control input                                |
| GND      | 26  | —   | Ground   |
| INVALID  | 6   | O   | Invalid output pin. Active low when all RIN inputs are unpowered |
| NC       | 8   | —   | No connect pins (do not connect to these pins)                   |
|          | 16  |     |  |
|          | 24  |     |  |
|          | 32  |     |  |
| RIN1     | 21  | I   | RS-232 receiver inputs   |
| RIN2     | 20  |     |  |
| RIN3     | 19  |     |  |
| RIN4     | 18  |     |  |
| RIN5     | 17  |     |  |

**Pin Functions (continued)**

| PIN      |     | I/O | DESCRIPTION   |
|----------|-----|-----|---|
| NAME     | NO. |     |   |
| ROUT1    | 14  | O   | Receiver outputs. Swing between 0 and $V_L$                                   |
| ROUT2    | 13  |     |   |
| ROUT3    | 12  |     |   |
| ROUT4    | 11  |     |   |
| ROUT5    | 10  |     |   |
| $V_{CC}$ | 27  | —   | 3-V to 5.5-V supply voltage   |
| $V_L$    | 15  | —   | Logic-level supply. All CMOS inputs and outputs are referenced to this supply |
| V+       | 30  | O   | 5.5-V supply generated by the charge pump                                     |
| V–       | 3   | O   | –5.5-V supply generated by the charge pump                                    |

## 6 Specifications

### 6.1 Absolute Maximum Ratings

over operating free-air temperature range (unless otherwise noted)<sup>(1)</sup>

|                              |                      |  | MIN  | MAX                   | UNIT |
|------------------------------|----------------------|--|------|-----------------------|------|
| V <sub>CC</sub> to GND       |                      |  | -0.3 | 6                     | V    |
| V <sub>L</sub> to GND        |                      |  | -0.3 | V <sub>CC</sub> + 0.3 |      |
| V+ to GND                    |                      |  | -0.3 | 7                     |      |
| V- to GND                    |                      |  | 0.3  | -7                    |      |
| V+ +  V-  <sup>(2)</sup>     |                      |  |      | 13                    |      |
| V <sub>I</sub>               | Input voltage        | DIN, $\overline{\text{FORCEOFF}}$ , and FORCEON to GND                         | -0.3 | 6                     | V    |
|                              |                      | RIN to GND   |      | ±25                   |      |
| V <sub>O</sub>               | Output voltage       | DOUT to GND  |      | ±13.2                 | V    |
|                              |                      | ROUT to GND  | -0.3 | V <sub>L</sub> + 0.3  |      |
| Continuous power dissipation |                      | T <sub>A</sub> = 85°C, 32-pin RSM (R <sub>θJA</sub> = 37.2°C/W) <sup>(3)</sup> |      | 1747                  | mW   |
| T <sub>J</sub>               | Junction temperature |  |      | 150                   | °C   |
| T <sub>stg</sub>             | Storage temperature  |  | -65  | 150                   | °C   |

(1) Stresses beyond those listed under *Absolute Maximum Ratings* may cause permanent damage to the device. These are stress ratings only, which do not imply functional operation of the device at these or any other conditions beyond those indicated under *Recommended Operating Conditions*. Exposure to absolute-maximum-rated conditions for extended periods may affect device reliability..

(2) V+ and V- can have maximum magnitudes of 7 V, but their absolute difference cannot exceed 13 V.

(3) Maximum power dissipation is a function of T<sub>J</sub>(max), R<sub>θJA</sub>, and T<sub>A</sub>. The maximum allowable power dissipation at any allowable ambient temperature is P<sub>D</sub> = (T<sub>J</sub>(max) - T<sub>A</sub>) / R<sub>θJA</sub>. Operating at the absolute maximum T<sub>J</sub> of 150°C can affect reliability.

### 6.2 ESD Ratings

|                    |                         |  | VALUE                           | UNIT                 |   |        |
|--------------------|-------------------------|--|---------------------------------|----------------------|---|--------|
| V <sub>(ESD)</sub> | Electrostatic discharge | Human body model (HBM), per ANSI/ESDA/JEDEC JS-001 <sup>(1)</sup>              | All pins except 17 to 23 and 25 | ±2000                | V |        |
|                    |                         |  | Pins 17 to 23 and 25            | ±15000               |   |        |
|                    |                         | Charged-device model (CDM), per JEDEC specification JESD22-C101 <sup>(2)</sup> | All pins                        | ±1500                |   |        |
|                    |                         |  | IEC61000-4-2, Contact discharge | Pins 17 to 23 and 25 |   | ±8000  |
|                    |                         |  | IEC61000-4-2, Air-gap discharge | Pins 17 to 23 and 25 |   | ±15000 |

(1) JEDEC document JEP155 states that 500-V HBM allows safe manufacturing with a standard ESD control process.

(2) JEDEC document JEP157 states that 250-V CDM allows safe manufacturing with a standard ESD control process.

### 6.3 Recommended Operating Conditions

|                        |   |                               | MIN  | MAX             | UNIT |
|------------------------|---|-------------------------------|------|-----------------|------|
| V <sub>CC</sub>        | Supply voltage                              |                               | 3    | 5.5             | V    |
| V <sub>L</sub>         | Supply voltage                              |                               | 1.65 | V <sub>CC</sub> | V    |
| Input logic low        | DIN, $\overline{\text{FORCEOFF}}$ , FORCEON | V <sub>L</sub> = 3 V or 5.5 V | 0    | 0.8             | V    |
|                        |   | V <sub>L</sub> = 2.3 V        | 0    | 0.6             |      |
|                        |   | V <sub>L</sub> = 1.65 V       | 0    | 0.5             |      |
| Input logic high       | DIN, $\overline{\text{FORCEOFF}}$ , FORCEON | V <sub>L</sub> = 5.5 V        | 2.4  | V <sub>L</sub>  | V    |
|                        |   | V <sub>L</sub> = 3 V          | 2    | V <sub>L</sub>  |      |
|                        |   | V <sub>L</sub> = 2.7 V        | 1.4  | V <sub>L</sub>  |      |
|                        |   | V <sub>L</sub> = 1.95 V       | 1.25 | V <sub>L</sub>  |      |
| Operating temperature  |   | TRS3253EIRSMR                 | -40  | 85              | °C   |
| Receiver input voltage |   |                               | -25  | 25              | V    |

## 6.4 Thermal Information

| THERMAL METRIC <sup>(1)</sup> |  | TRS3253E   | UNIT |
|-------------------------------|--|------------|------|
|                               |  | RSM (VQFN) |      |
|                               |  | 32 PINS    |      |
| R <sub>θJA</sub>              | Junction-to-ambient thermal resistance       | 37.2       | °C/W |
| R <sub>θJC(top)</sub>         | Junction-to-case (top) thermal resistance    | 30.1       | °C/W |
| R <sub>θJB</sub>              | Junction-to-board thermal resistance         | 7.8        | °C/W |
| ψ <sub>JT</sub>               | Junction-to-top characterization parameter   | 0.4        | °C/W |
| ψ <sub>JB</sub>               | Junction-to-board characterization parameter | 7.6        | °C/W |
| R <sub>θJC(bot)</sub>         | Junction-to-case (bottom) thermal resistance | 2.4        | °C/W |

(1) For more information about traditional and new thermal metrics, see the [Semiconductor and IC Package Thermal Metrics](#) application report.

## 6.5 Electrical Characteristics—Power

over operating free-air temperature range, V<sub>CC</sub> = V<sub>L</sub> = 3 V to 5.5 V, C1–C4 = 0.1 μF (tested at 3.3 V ± 10%), C1 = 0.047 μF, C2–C4 = 0.33 μF (tested at 5 V ± 10%) (unless otherwise noted)<sup>(1)</sup>

| PARAMETER       |   | TEST CONDITIONS              | MIN   | TYP <sup>(2)</sup> | MAX | UNIT |
|-----------------|---|------------------------------|---|--------------------|-----|------|
| I <sub>I</sub>  | Input leakage current                     | FORCEOFF, FORCEON            |   | ±0.01              | ±1  | μA   |
| I <sub>CC</sub> | Supply current<br>(T <sub>A</sub> = 25°C) | Auto-powerdown plus disabled | No load,<br>FORCEOFF and FORCEON at V <sub>CC</sub>                                       | 0.5                | 1   | mA   |
|                 |   | Powered off                  | No load, FORCEOFF at GND  | 1                  | 10  | μA   |
|                 |   | Auto-powerdown plus active   | No load, FORCEOFF at V <sub>CC</sub> ,<br>FORCEON at GND,<br>All RIN are open or grounded | 1                  | 10  |      |

(1) Testing supply conditions are C1–C4 = 0.1 μF at V<sub>CC</sub> = 3.3 V ± 0.15 V; C1–C4 = 0.22 μF at V<sub>CC</sub> = 3.3 V ± 0.3 V; and C1 = 0.047 μF and C2–C4 = 0.33 μF at V<sub>CC</sub> = 5 V ± 0.5 V. (See [Figure 8](#))

(2) All typical values are at V<sub>CC</sub> = 3.3 V or V<sub>CC</sub> = 5 V, and T<sub>A</sub> = 25°C.

## 6.6 Electrical Characteristics—Driver

over operating free-air temperature range, V<sub>CC</sub> = V<sub>L</sub> = 3 V to 5.5 V, C1–C4 = 0.1 μF (tested at 3.3 V ± 10%), C1 = 0.047 μF, C2–C4 = 0.33 μF (tested at 5 V ± 10%), T<sub>A</sub> = T<sub>MIN</sub> to T<sub>MAX</sub> (unless otherwise noted)

| PARAMETER       |                              | TEST CONDITIONS   | MIN | TYP <sup>(1)</sup> | MAX | UNIT |
|-----------------|------------------------------|---|-----|--------------------|-----|------|
| V <sub>OH</sub> | Output voltage swing         | All driver outputs loaded with 3 kΩ to ground, V <sub>CC</sub> = 3.1V to 5.5V   | ±5  | ±5.4               |     | V    |
| r <sub>O</sub>  | Output resistance            | V <sub>CC</sub> = V <sub>+</sub> = V <sub>-</sub> = 0, Driver output = ±2 V     | 300 | 10M                |     | Ω    |
| I <sub>OS</sub> | Output short-circuit current | V <sub>T_OUT</sub> = 0  |     |                    | ±60 | mA   |
| I <sub>OZ</sub> | Output leakage current       | V <sub>T_OUT</sub> = ±12 V, FORCEOFF = GND,<br>V <sub>CC</sub> = 3 V to 3.6 V   |     |                    | ±25 | μA   |
|                 |                              | V <sub>T_OUT</sub> = ±12 V, FORCEOFF = GND,<br>V <sub>CC</sub> = 4.5 V to 5.5 V |     |                    |     |      |
|                 | Driver input hysteresis      |   |     |                    | 0.5 | V    |
|                 | Input leakage current        | DIN, FORCEOFF, FORCEON  |     | ±0.01              | ±1  | μA   |

(1) Typical values are at V<sub>CC</sub> = V<sub>L</sub> = 3.3 V, T<sub>A</sub> = 25°C

## 6.7 Electrical Characteristics—Receiver

over operating free-air temperature range, V<sub>CC</sub> = V<sub>L</sub> = 3 V to 5.5 V, C1–C4 = 0.1 μF (tested at 3.3 V ± 10%), C1 = 0.047 μF, C2–C4 = 0.33 μF (tested at 5 V ± 10%), T<sub>A</sub> = T<sub>MIN</sub> to T<sub>MAX</sub> (unless otherwise noted)

| PARAMETER        |                        | TEST CONDITIONS           | MIN                  | TYP <sup>(1)</sup>   | MAX | UNIT |
|------------------|------------------------|---------------------------|----------------------|----------------------|-----|------|
| I <sub>off</sub> | Output leakage current | ROUT, receivers disabled  |                      | ±0.05                | ±10 | μA   |
| V <sub>OL</sub>  | Output voltage low     | I <sub>OUT</sub> = 1.6 mA |                      |                      | 0.4 | V    |
| V <sub>OH</sub>  | Output voltage high    | I <sub>OUT</sub> = -1 mA  | V <sub>L</sub> - 0.6 | V <sub>L</sub> - 0.1 |     | V    |

(1) Typical values are at V<sub>CC</sub> = V<sub>L</sub> = 3.3 V, T<sub>A</sub> = 25°C

## Electrical Characteristics—Receiver (continued)

over operating free-air temperature range,  $V_{CC} = V_L = 3\text{ V}$  to  $5.5\text{ V}$ ,  $C1\text{--}C4 = 0.1\ \mu\text{F}$  (tested at  $3.3\text{ V} \pm 10\%$ ),  $C1 = 0.047\ \mu\text{F}$ ,  $C2\text{--}C4 = 0.33\ \mu\text{F}$  (tested at  $5\text{ V} \pm 10\%$ ),  $T_A = T_{MIN}$  to  $T_{MAX}$  (unless otherwise noted)

| PARAMETER |                      | TEST CONDITIONS          |                      | MIN | TYP <sup>(1)</sup> | MAX | UNIT       |
|-----------|----------------------|--------------------------|----------------------|-----|--------------------|-----|------------|
| $V_{IT-}$ | Input threshold low  | $T_A = 25^\circ\text{C}$ | $V_L = 5\text{ V}$   | 0.8 | 1.2                |     | V          |
|           |                      |                          | $V_L = 3.3\text{ V}$ | 0.6 | 1.5                |     |            |
| $V_{IT+}$ | Input threshold high | $T_A = 25^\circ\text{C}$ | $V_L = 5\text{ V}$   |     | 1.8                | 2.4 | V          |
|           |                      |                          | $V_L = 3.3\text{ V}$ |     | 1.5                | 2.4 |            |
| $V_{hys}$ | Input hysteresis     |                          |                      |     | 0.5                |     | V          |
|           | Input resistance     | $T_A = 25^\circ\text{C}$ |                      | 3   | 5                  | 7   | k $\Omega$ |

## 6.8 Electrical Characteristics—Status

over recommended ranges of supply voltage and operating free-air temperature (unless otherwise noted)

| PARAMETER        |  | TEST CONDITIONS  |  | MIN         | MAX | UNIT |
|------------------|--|--|--|-------------|-----|------|
| $V_{IT+(valid)}$ | Receiver input threshold for INVALID high-level output voltage | FORCEON = GND, $\overline{\text{FORCEOFF}} = V_L$                            |  |             | 2.7 | V    |
| $V_{IT-(valid)}$ | Receiver input threshold for INVALID high-level output voltage | FORCEON = GND, $\overline{\text{FORCEOFF}} = V_L$                            |  | -2.7        |     | V    |
| $V_{T(invalid)}$ | Receiver input threshold for INVALID low-level output voltage  | FORCEON = GND, $\overline{\text{FORCEOFF}} = V_L$                            |  | -0.3        | 0.3 | V    |
| $V_{OH}$         | INVALID high-level output voltage                              | $I_{OH} = -1\text{ mA}$ , FORCEON = GND, $\overline{\text{FORCEOFF}} = V_L$  |  | $V_L - 0.6$ |     | V    |
| $V_{OL}$         | INVALID low-level output voltage                               | $I_{OL} = 1.6\text{ mA}$ , FORCEON = GND, $\overline{\text{FORCEOFF}} = V_L$ |  |             | 0.4 | V    |

## 6.9 Switching Characteristics—Driver

over operating free-air temperature range,  $V_{CC} = V_L = 3\text{ V}$  to  $5.5\text{ V}$ ,  $C1\text{--}C4 = 0.1\ \mu\text{F}$  (tested at  $3.3\text{ V} \pm 10\%$ ),  $C1 = 0.047\ \mu\text{F}$ ,  $C2\text{--}C4 = 0.33\ \mu\text{F}$  (tested at  $5\text{ V} \pm 10\%$ ),  $T_A = T_{MIN}$  to  $T_{MAX}$  (unless otherwise noted)

| PARAMETER             |                             | TEST CONDITIONS  |   | MIN  | TYP <sup>(1)</sup> | MAX | UNIT             |
|-----------------------|-----------------------------|--|---|------|--------------------|-----|------------------|
|                       | Maximum data rate           | $R_L = 3\text{ k}\Omega$ , $C_L = 200\text{ pF}$ , one driver switching  |   | 1000 |                    |     | kbps             |
|                       | Time-to-exit powerdown      | $ V_{T\_OUT}  > 3.7\text{ V}$  |   |      | 100                |     | $\mu\text{s}$    |
| $ t_{PHL} - t_{PLH} $ | Driver skew <sup>(2)</sup>  |  |   |      | 100                |     | ns               |
|                       | Transition-region slew rate | $V_{CC} = 3.3\text{ V}$ ,<br>$T_A = 25^\circ\text{C}$ ,<br>$R_L = 3\text{ k}\Omega$ to $7\text{ k}\Omega$ ,<br>Measured from $3\text{ V}$<br>to $-3\text{ V}$ or $-3\text{ V}$ to $3\text{ V}$ | $C_L = 150\text{ pF}$ to $1000\text{ pF}$ | 15   |                    | 150 | V/ $\mu\text{s}$ |

(1) Typical values are at  $V_{CC} = V_L = 3.3\text{ V}$ ,  $T_A = 25^\circ\text{C}$ .

(2) Driver skew is measured at the driver zero crosspoint.

## 6.10 Switching Characteristics—Receiver

over operating free-air temperature range,  $V_{CC} = V_L = 3\text{ V}$  to  $5.5\text{ V}$ ,  $C1\text{--}C4 = 0.1\ \mu\text{F}$  (tested at  $3.3\text{ V} \pm 10\%$ ),  $C1 = 0.047\ \mu\text{F}$ ,  $C2\text{--}C4 = 0.33\ \mu\text{F}$  (tested at  $5\text{ V} \pm 10\%$ ),  $T_A = T_{MIN}$  to  $T_{MAX}$  (unless otherwise noted)

| PARAMETER           |                              | TEST CONDITIONS  |  | MIN | TYP <sup>(1)</sup> | MAX | UNIT          |
|---------------------|------------------------------|--|--|-----|--------------------|-----|---------------|
| $t_{PHL}$           | Receiver propagation delay   | Receiver input to receiver output, $C_L = 150\text{ pF}$ |  |     | 0.15               |     | $\mu\text{s}$ |
| $t_{PLH}$           |                              |  |  |     | 0.15               |     |               |
| $t_{PHL} - t_{PLH}$ | Receiver skew                |  |  |     | 50                 |     | ns            |
| $t_{en}$            | Receiver output enable time  | From $\overline{\text{FORCEOFF}}$                        |  |     | 200                |     |               |
| $t_{dis}$           | Receiver output disable time | From $\overline{\text{FORCEOFF}}$                        |  |     | 200                |     |               |

(1) Typical values are at  $V_{CC} = V_L = 3.3\text{ V}$ ,  $T_A = 25^\circ\text{C}$ .

## 6.11 Switching Characteristics—Power and Status

over recommended ranges of supply voltage and operating free-air temperature (unless otherwise noted) (see [Figure 7](#))

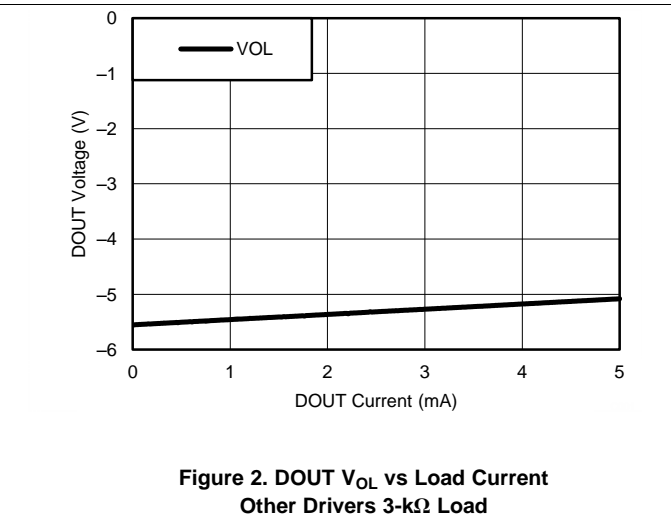
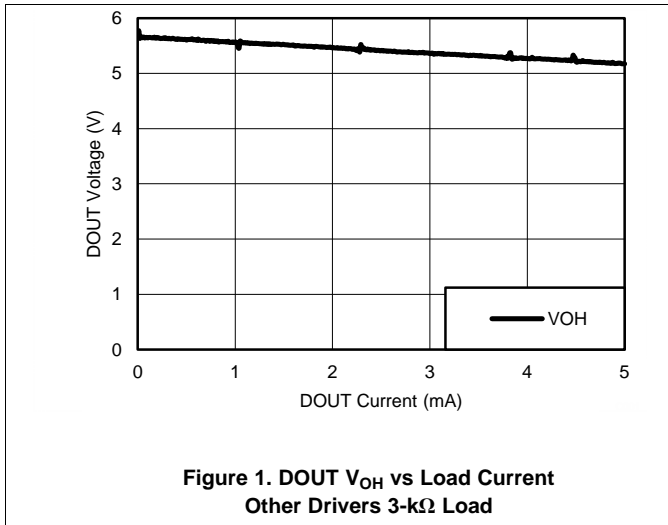
| PARAMETER            |   | MIN | TYP <sup>(1)</sup> | MAX | UNIT |
|----------------------|---|-----|--------------------|-----|------|
| $t_{\text{valid}}$   | Propagation delay time, low- to high-level output |     | 0.1                |     | μs   |
| $t_{\text{invalid}}$ | Propagation delay time, high- to low-level output |     | 50                 |     |      |
| $t_{\text{en}}$      | Supply enable time                                |     | 25                 |     |      |
| $t_{\text{dis}}$     | Receiver or driver edge to auto-powerdown plus    | 15  | 30                 | 60  | s    |

(1) All typical values are at  $V_{\text{CC}} = V_{\text{L}} = 3.3 \text{ V}$  and  $T_{\text{A}} = 25^{\circ}\text{C}$ .

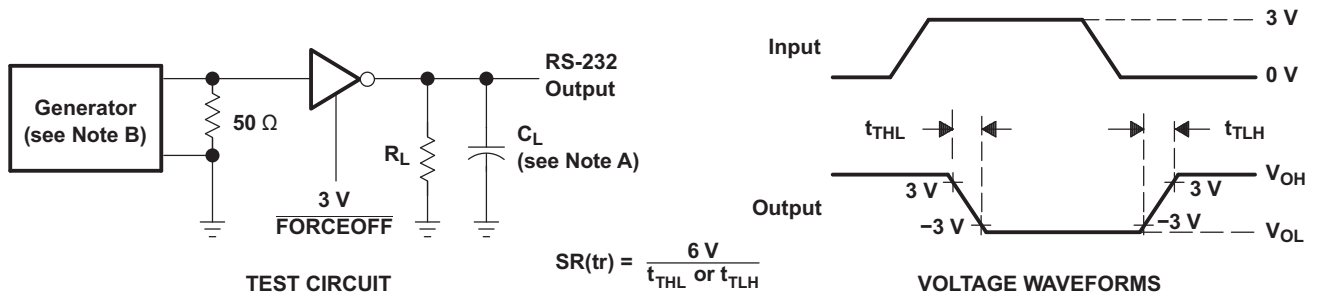


### 6.12 Typical Characteristics

$V_{CC} = 3.3\text{ V}$

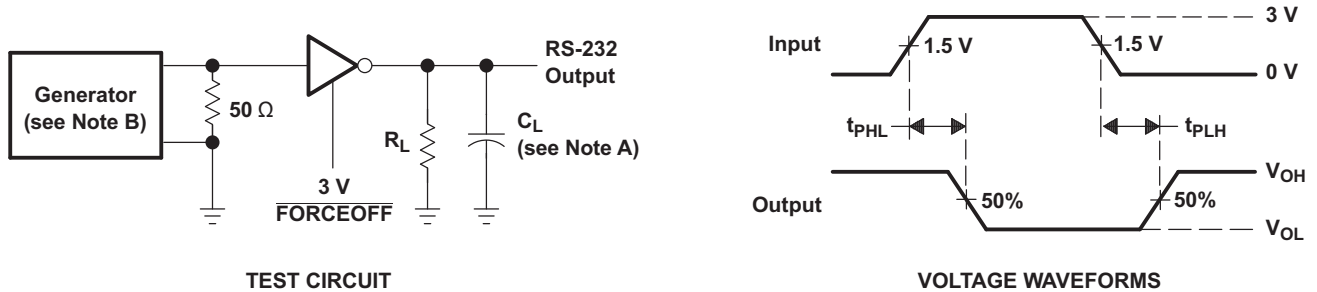


## 7 Parameter Measurement Information



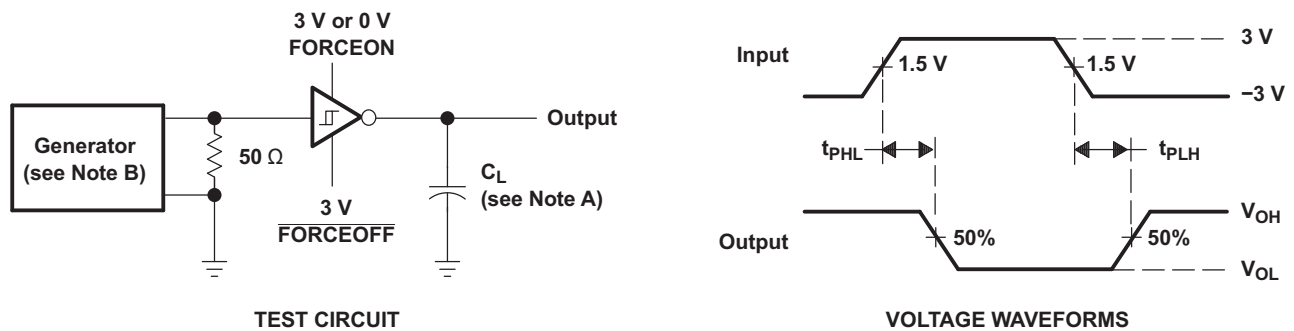
- A.  $C_L$  includes probe and jig capacitance.
- B. The pulse generator has the following characteristics: PRR = 250 kbit/s,  $Z_O = 50 \Omega$ , 50% duty cycle,  $t_r \leq 10$  ns,  $t_f \leq 10$  ns.

**Figure 3. Driver Slew Rate**



- A.  $C_L$  includes probe and jig capacitance.
- B. The pulse generator has the following characteristics: PRR = 250 kbit/s,  $Z_O = 50 \Omega$ , 50% duty cycle,  $t_r \leq 10$  ns,  $t_f \leq 10$  ns.

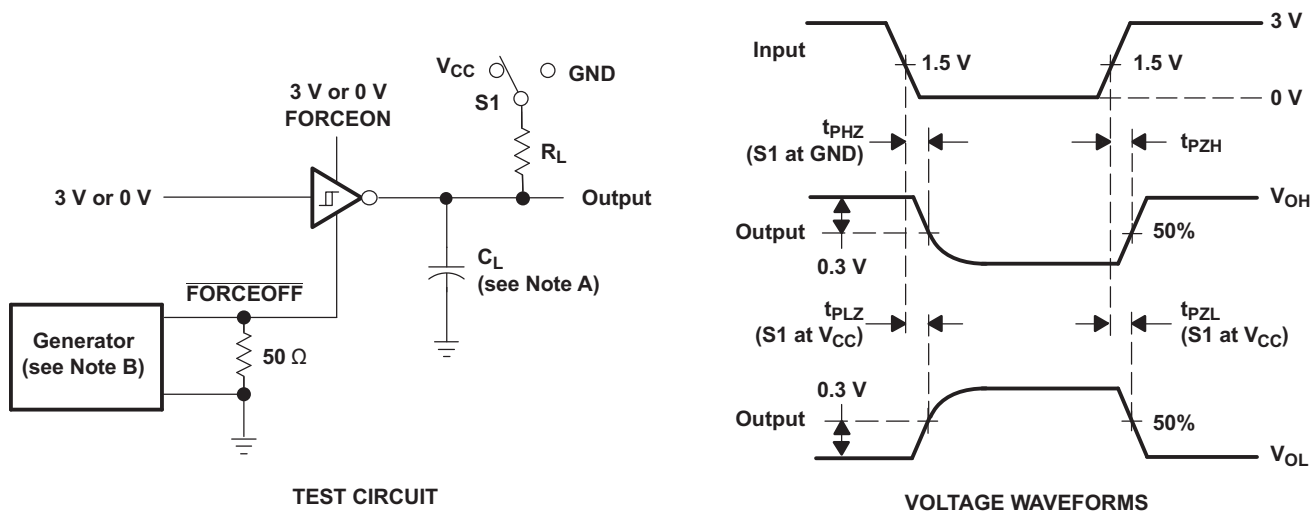
**Figure 4. Driver Pulse Skew**



- A.  $C_L$  includes probe and jig capacitance.
- B. The pulse generator has the following characteristics:  $Z_O = 50 \Omega$ , 50% duty cycle,  $t_r \leq 10$  ns,  $t_f \leq 10$  ns.

**Figure 5. Receiver Propagation Delay Times**

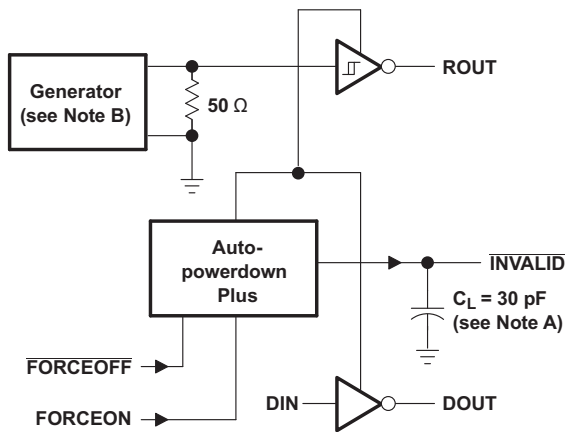
Parameter Measurement Information (continued)



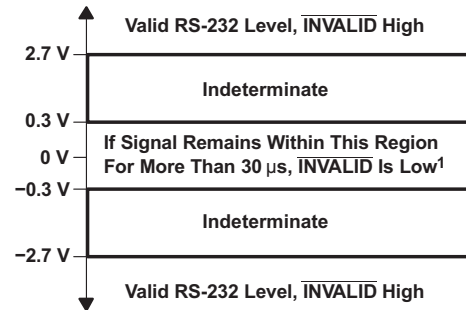
- A.  $C_L$  includes probe and jig capacitance.
- B. The pulse generator has the following characteristics:  $Z_O = 50 \Omega$ , 50% duty cycle,  $t_r \leq 10 \text{ ns}$ ,  $t_f \leq 10 \text{ ns}$ .
- C.  $t_{PLZ}$  and  $t_{PHZ}$  are the same as  $t_{dis}$ .
- D.  $t_{PZL}$  and  $t_{PZH}$  are the same as  $t_{en}$ .

Figure 6. Receiver Enable and Disable Times

Parameter Measurement Information (continued)

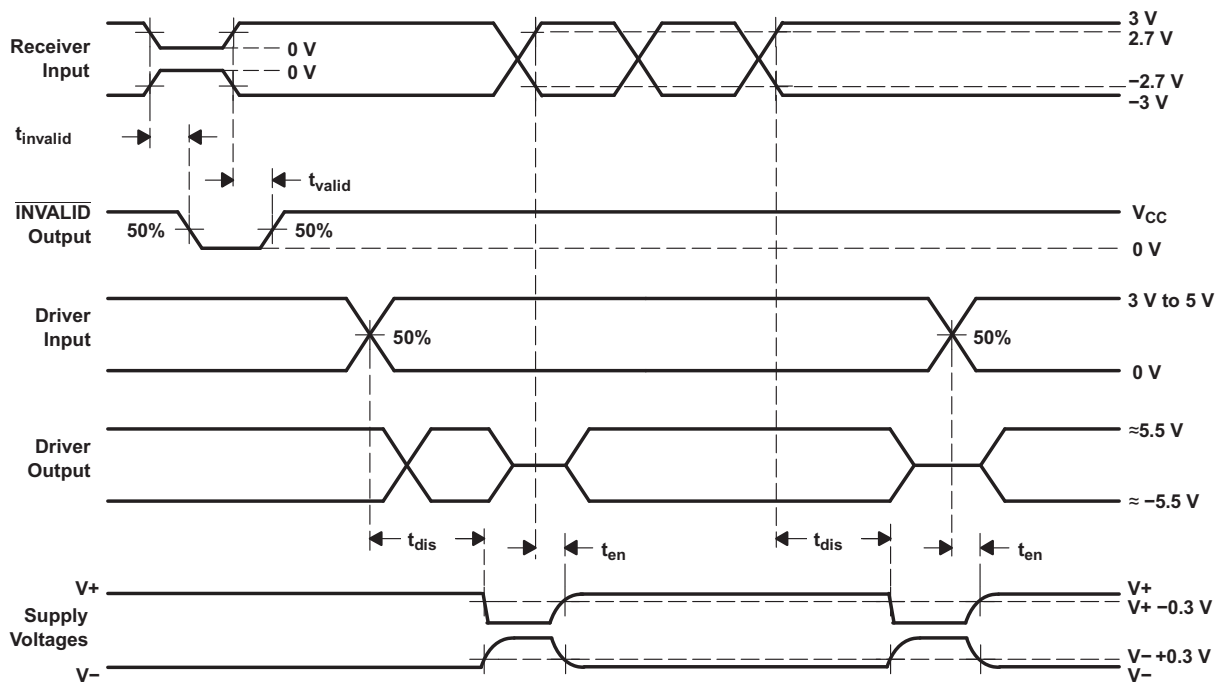


TEST CIRCUIT



† Auto-powerdown plus disables drivers and reduces supply current to 1  $\mu$ A.

- NOTES: A.  $C_L$  includes probe and jig capacitance.  
 B. The pulse generator has the following characteristics: PRR = 5 kbit/s,  $Z_O = 50 \Omega$ , 50% duty cycle,  $t_r \leq 10$  ns,  $t_f \leq 10$  ns.



Voltage Waveforms and Timing Diagrams

Figure 7.  $\overline{\text{INVALID}}$  Propagation-Delay Times and Supply-Enabling Time

## 8 Detailed Description

### 8.1 Overview

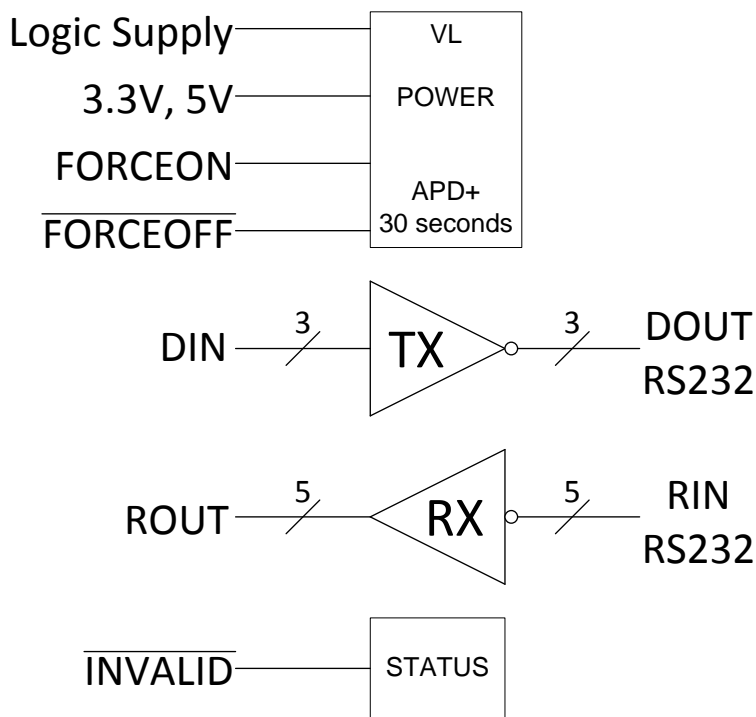
The TRS3253E is a three-driver and five-receiver RS-232 interface device, with split-supply pins for mixed-signal operations. All RS-232 inputs and outputs are protected to  $\pm 15$  kV using the IEC 61000-4-2 Air-Gap Discharge method,  $\pm 8$  kV using the IEC 61000-4-2 Contact Discharge method, and  $\pm 15$  kV using the Human-Body Model. The charge pump requires only four small 0.1- $\mu$ F capacitors for operation from a 3.3-V supply. The TRS3253E is capable of running at data rates up to 1000 kbps, while maintaining RS-232-compliant output levels. The TRS3253E is available in a space-saving VQFN package (4-mm  $\times$  4-mm RSM).

The TRS3253E has a unique  $V_L$  pin that allows operation in mixed-logic voltage systems. Both driver input (DIN) and receiver output (ROUT) logic levels are pin programmable through the  $V_L$  pin. This eliminates the need for additional voltage level shifter while interfacing with low-voltage microcontroller or UARTs.

Auto-powerdown plus can be disabled when FORCEON and FORCEOFF are high. With auto-powerdown plus enabled, the device activates automatically when a valid signal change is applied to any receiver or driver input. After 30 seconds of inactivity the device will automatically power down to save power.

INVALID is high (valid data) if any receiver input voltage is greater than 2.7 V or less than  $-2.7$  V, or has been between  $-0.3$  V and 0.3 V for less than 30  $\mu$ s. INVALID is low (invalid data) if all receiver input voltages are between  $-0.3$  V and 0.3 V for more than 30  $\mu$ s. Refer to Figure 7 for receiver input levels.

### 8.2 Functional Block Diagram



### 8.3 Feature Description

#### 8.3.1 Power

The power block increases, inverts, and regulates voltage at  $V+$  and  $V-$  pins using a charge pump that requires four external capacitors. Logic voltage translation is controlled by voltage provided to  $V_L$  pin. Auto-powerdown-plus feature is controlled by FORCEON and FORCEOFF inputs. See Table 1 and Table 2.

When TRS3253E is unpowered, it can be safely connected to an active remote RS232 device.

## Feature Description (continued)

### 8.3.2 RS232 Driver

Three drivers interface standard logic level to RS232 levels. All DIN inputs must be valid high or low.

### 8.3.3 RS232 Receiver

Five receivers interface RS232 levels to standard logic levels. An open input will result in a high output on ROUT. Each RIN input includes an internal standard RS232 load.

### 8.3.4 RS232 Status

The  $\overline{\text{INVALID}}$  output goes low when all RIN inputs are unpowered for more than 30  $\mu\text{s}$ . The  $\overline{\text{INVALID}}$  output goes high when any receiver has a valid input. The  $\overline{\text{INVALID}}$  output is active when  $V_L$  is powered irregardless of FORCEON and  $\overline{\text{FORCEOFF}}$  inputs. See [Table 3](#).

## 8.4 Device Functional Modes

**Table 1. Each Driver<sup>(1)</sup>**

| INPUTS |         |                              |   | OUTPUT | DRIVER STATUS                                      |
|--------|---------|------------------------------|---|--------|--|
| DIN    | FORCEON | $\overline{\text{FORCEOFF}}$ | TIME ELAPSED SINCE LAST RIN OR DIN TRANSITION | DOUT   |  |
| X      | X       | L                            | X   | Z      | Powered off  |
| L      | H       | H                            | X   | H      | Normal operation with auto-powerdown plus disabled |
| H      | H       | H                            | X   | L      |  |
| L      | L       | H                            | <30 s   | H      | Normal operation with auto-powerdown plus enabled  |
| H      | L       | H                            | <30 s   | L      |  |
| L      | L       | H                            | >30 s   | Z      | Powered off by auto-powerdown plus feature         |
| H      | L       | H                            | >30 s   | Z      |  |

(1) H = high level, L = low level, X = irrelevant, Z = high impedance.

**Table 2. Each Receiver<sup>(1)</sup>**

| INPUTS |                              |   | OUTPUT | RECEIVER STATUS  |
|--------|------------------------------|---|--------|--|
| RIN    | $\overline{\text{FORCEOFF}}$ | TIME ELAPSED SINCE LAST RIN OR DIN TRANSITION | ROUT   |  |
| X      | L                            | X   | Z      | Powered off  |
| L      | H                            | <30 s   | H      | Normal operation with auto-powerdown plus disabled/enabled |
| H      | H                            | <30 s   | L      |  |
| Open   | H                            | <30 s   | H      |  |

(1) H = high level, L = low level, X = irrelevant, Z = high impedance (off), Open = input disconnected or connected driver off.

**Table 3.  $\overline{\text{INVALID}}$ <sup>(1)</sup>**

| INPUTS      |         |                              |   | OUTPUT                      |
|-------------|---------|------------------------------|---|-----------------------------|
| RIN1 – RIN5 | FORCEON | $\overline{\text{FORCEOFF}}$ | TIME ELAPSED SINCE LAST RIN OR DIN TRANSITION | $\overline{\text{INVALID}}$ |
| Any L or H  | X       | X                            | X   | H                           |
| All Open    | X       | X                            | X   | L                           |

(1) H = high level, L = low level, X = irrelevant, Z = high impedance (off), Open = input disconnected or connected driver off.

## 9 Application and Implementation

---

### NOTE

Information in the following applications sections is not part of the TI component specification, and TI does not warrant its accuracy or completeness. TI's customers are responsible for determining suitability of components for their purposes. Customers should validate and test their design implementation to confirm system functionality.

---

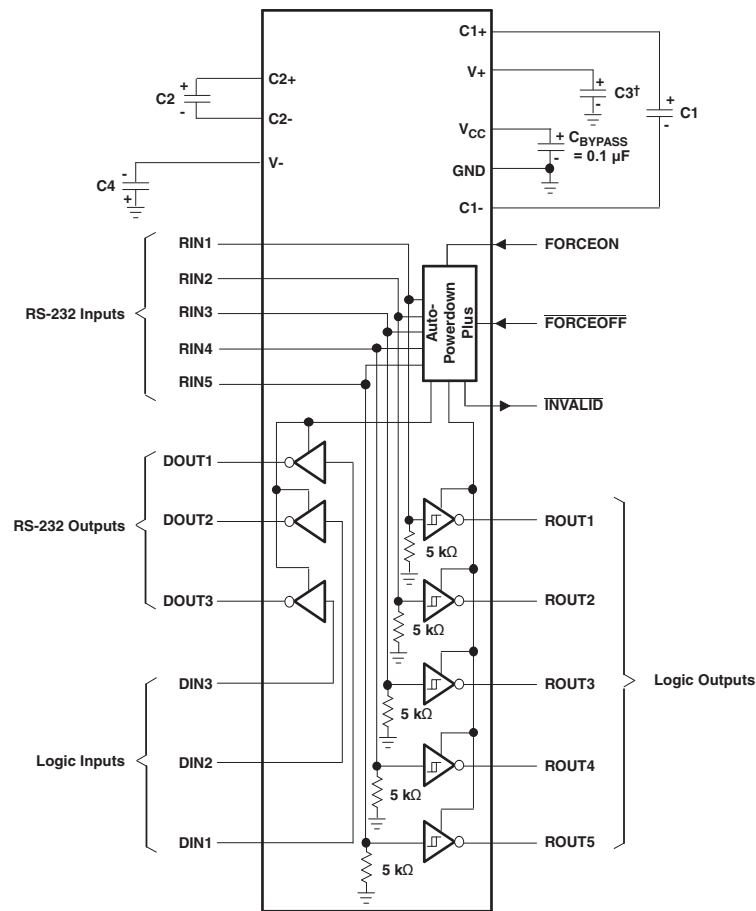
### 9.1 Application Information

This device can be used in any application where an RS232 line driver or receiver is required. One benefit of this device is its ESD protection, which helps protect other components on the board when the RS232 lines are tied to a physical connector.

### 9.2 Typical Application

ROUT and DIN connect to UART or general purpose logic lines. FORCEON and  $\overline{\text{FORCEOFF}}$  may be connected general purpose logic lines or tied to ground or  $V_L$ . INVALID may be connected to a general purpose logic line or left unconnected. RIN and DOUT lines connect to a RS232 connector or cable. DIN, FORCEON, and  $\overline{\text{FORCEOFF}}$  inputs must not be left unconnected. For proper operation, add capacitors as shown in [Figure 8](#).

Typical Application (continued)



† C3 can be connected to V<sub>CC</sub> or GND.

NOTES: A. Resistor values shown are nominal.  
 B. Nonpolarized ceramic capacitors are acceptable. If polarized tantalum or electrolytic capacitors are used, they should be connected as shown.

V<sub>CC</sub> vs CAPACITOR VALUES

| V <sub>CC</sub> | C1       | C2, C3, and C4 |
|-----------------|----------|----------------|
| 3.3 V ± 0.3 V   | 0.1 μF   | 0.1 μF         |
| 5 V ± 0.5 V     | 0.047 μF | 0.33 μF        |
| 3 V to 5.5 V    | 0.1 μF   | 0.47 μF        |

Figure 8. Typical Operating Circuit and Capacitor Values

9.2.1 Design Requirements

- Recommended V<sub>CC</sub> is 3.3 V or 5 V. 3 V to 5.5 V is also possible
- Maximum recommended bit rate is 1000 kbps
- Use capacitors as shown in [Figure 8](#)

9.2.2 Detailed Design Procedure

- All DIN, FORCEOFF, and FORCEON inputs must be connected to valid low or high logic levels.
- Select capacitor values based on V<sub>CC</sub> level for best performance.

9.2.3 Application Curve

Driver input as top waveform and driver output as bottom waveform.

- 3.3-V V<sub>CC</sub>
- 1000-kbit/s data rate



Typical Application (continued)

- 200-pF and 3-kΩ Load

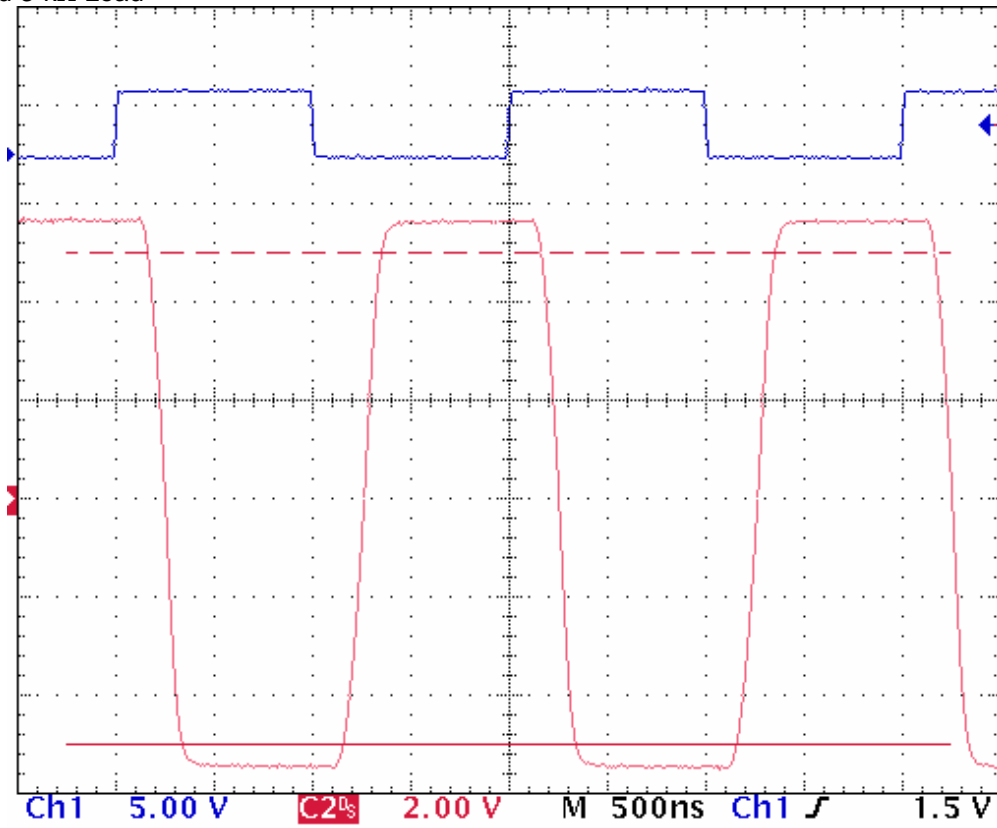


Figure 9. 1000-kbps Driver Timing Waveform

## 10 Power Supply Recommendations

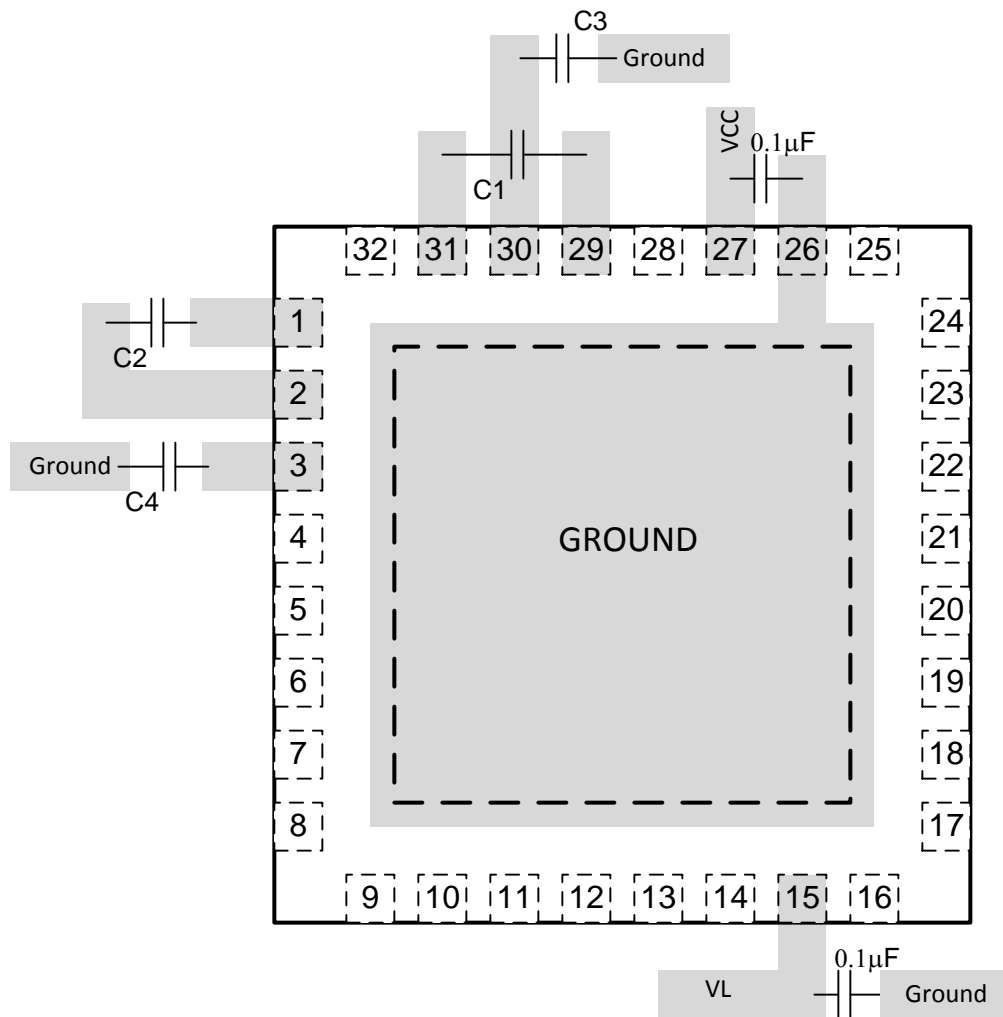
$V_{CC}$  must be between 3.3 and 5 V. Capacitors must be selected according to the table in [Figure 8](#).

## 11 Layout

### 11.1 Layout Guidelines

Keep the external capacitor traces short. This is more important on C1 and C2 nodes that have the fastest rise and fall times.

### 11.2 Layout Example



**Figure 10. Layout Diagram**

## 12 Device and Documentation Support

### 12.1 Receiving Notification of Documentation Updates

To receive notification of documentation updates, navigate to the device product folder on [ti.com](http://ti.com). In the upper right corner, click on *Alert me* to register and receive a weekly digest of any product information that has changed. For change details, review the revision history included in any revised document.

### 12.2 Community Resources

The following links connect to TI community resources. Linked contents are provided "AS IS" by the respective contributors. They do not constitute TI specifications and do not necessarily reflect TI's views; see TI's [Terms of Use](#).

**TI E2E™ Online Community** *TI's Engineer-to-Engineer (E2E) Community*. Created to foster collaboration among engineers. At [e2e.ti.com](http://e2e.ti.com), you can ask questions, share knowledge, explore ideas and help solve problems with fellow engineers.

**Design Support** *TI's Design Support* Quickly find helpful E2E forums along with design support tools and contact information for technical support.

### 12.3 Trademarks

E2E is a trademark of Texas Instruments.  
All other trademarks are the property of their respective owners.

### 12.4 Electrostatic Discharge Caution



These devices have limited built-in ESD protection. The leads should be shorted together or the device placed in conductive foam during storage or handling to prevent electrostatic damage to the MOS gates.

### 12.5 Glossary

[SLYZ022](#) — *TI Glossary*.

This glossary lists and explains terms, acronyms, and definitions.

## 13 Mechanical, Packaging, and Orderable Information

The following pages include mechanical, packaging, and orderable information. This information is the most current data available for the designated devices. This data is subject to change without notice and revision of this document. For browser based versions of this data sheet, refer to the left hand navigation.

**PACKAGING INFORMATION**

| Orderable Device | Status<br>(1) | Package Type | Package Drawing | Pins | Package Qty | Eco Plan<br>(2)         | Lead/Ball Finish<br>(6) | MSL Peak Temp<br>(3) | Op Temp (°C) | Device Marking<br>(4/5) | Samples        |
|------------------|---------------|--------------|-----------------|------|-------------|-------------------------|-------------------------|----------------------|--------------|-------------------------|----------------|
| TRS3253EIRSMR    | ACTIVE        | VQFN         | RSM             | 32   | 3000        | Green (RoHS & no Sb/Br) | CU NIPDAU               | Level-2-260C-1 YEAR  | -40 to 85    | RS53EI                  | <b>Samples</b> |

(1) The marketing status values are defined as follows:

**ACTIVE:** Product device recommended for new designs.

**LIFEBUY:** TI has announced that the device will be discontinued, and a lifetime-buy period is in effect.

**NRND:** Not recommended for new designs. Device is in production to support existing customers, but TI does not recommend using this part in a new design.

**PREVIEW:** Device has been announced but is not in production. Samples may or may not be available.

**OBSELETE:** TI has discontinued the production of the device.

(2) Eco Plan - The planned eco-friendly classification: Pb-Free (RoHS), Pb-Free (RoHS Exempt), or Green (RoHS & no Sb/Br) - please check <http://www.ti.com/productcontent> for the latest availability information and additional product content details.

**TBD:** The Pb-Free/Green conversion plan has not been defined.

**Pb-Free (RoHS):** TI's terms "Lead-Free" or "Pb-Free" mean semiconductor products that are compatible with the current RoHS requirements for all 6 substances, including the requirement that lead not exceed 0.1% by weight in homogeneous materials. Where designed to be soldered at high temperatures, TI Pb-Free products are suitable for use in specified lead-free processes.

**Pb-Free (RoHS Exempt):** This component has a RoHS exemption for either 1) lead-based flip-chip solder bumps used between the die and package, or 2) lead-based die adhesive used between the die and leadframe. The component is otherwise considered Pb-Free (RoHS compatible) as defined above.

**Green (RoHS & no Sb/Br):** TI defines "Green" to mean Pb-Free (RoHS compatible), and free of Bromine (Br) and Antimony (Sb) based flame retardants (Br or Sb do not exceed 0.1% by weight in homogeneous material)

(3) MSL, Peak Temp. - The Moisture Sensitivity Level rating according to the JEDEC industry standard classifications, and peak solder temperature.

(4) There may be additional marking, which relates to the logo, the lot trace code information, or the environmental category on the device.

(5) Multiple Device Markings will be inside parentheses. Only one Device Marking contained in parentheses and separated by a "~" will appear on a device. If a line is indented then it is a continuation of the previous line and the two combined represent the entire Device Marking for that device.

(6) Lead/Ball Finish - Orderable Devices may have multiple material finish options. Finish options are separated by a vertical ruled line. Lead/Ball Finish values may wrap to two lines if the finish value exceeds the maximum column width.

**Important Information and Disclaimer:**The information provided on this page represents TI's knowledge and belief as of the date that it is provided. TI bases its knowledge and belief on information provided by third parties, and makes no representation or warranty as to the accuracy of such information. Efforts are underway to better integrate information from third parties. TI has taken and continues to take reasonable steps to provide representative and accurate information but may not have conducted destructive testing or chemical analysis on incoming materials and chemicals. TI and TI suppliers consider certain information to be proprietary, and thus CAS numbers and other limited information may not be available for release.

In no event shall TI's liability arising out of such information exceed the total purchase price of the TI part(s) at issue in this document sold by TI to Customer on an annual basis.

**OTHER QUALIFIED VERSIONS OF TRS3253E :**

- Enhanced Product: [TRS3253E-EP](#)

## NOTE: Qualified Version Definitions:

- Enhanced Product - Supports Defense, Aerospace and Medical Applications

## TAPE AND REEL INFORMATION



### QUADRANT ASSIGNMENTS FOR PIN 1 ORIENTATION IN TAPE



\*All dimensions are nominal

| Device        | Package Type | Package Drawing | Pins | SPQ  | Reel Diameter (mm) | Reel Width W1 (mm) | A0 (mm) | B0 (mm) | K0 (mm) | P1 (mm) | W (mm) | Pin1 Quadrant |
|---------------|--------------|-----------------|------|------|--------------------|--------------------|---------|---------|---------|---------|--------|---------------|
| TRS3253EIRSMR | VQFN         | RSM             | 32   | 3000 | 330.0              | 12.4               | 4.25    | 4.25    | 1.15    | 8.0     | 12.0   | Q2            |

TAPE AND REEL BOX DIMENSIONS

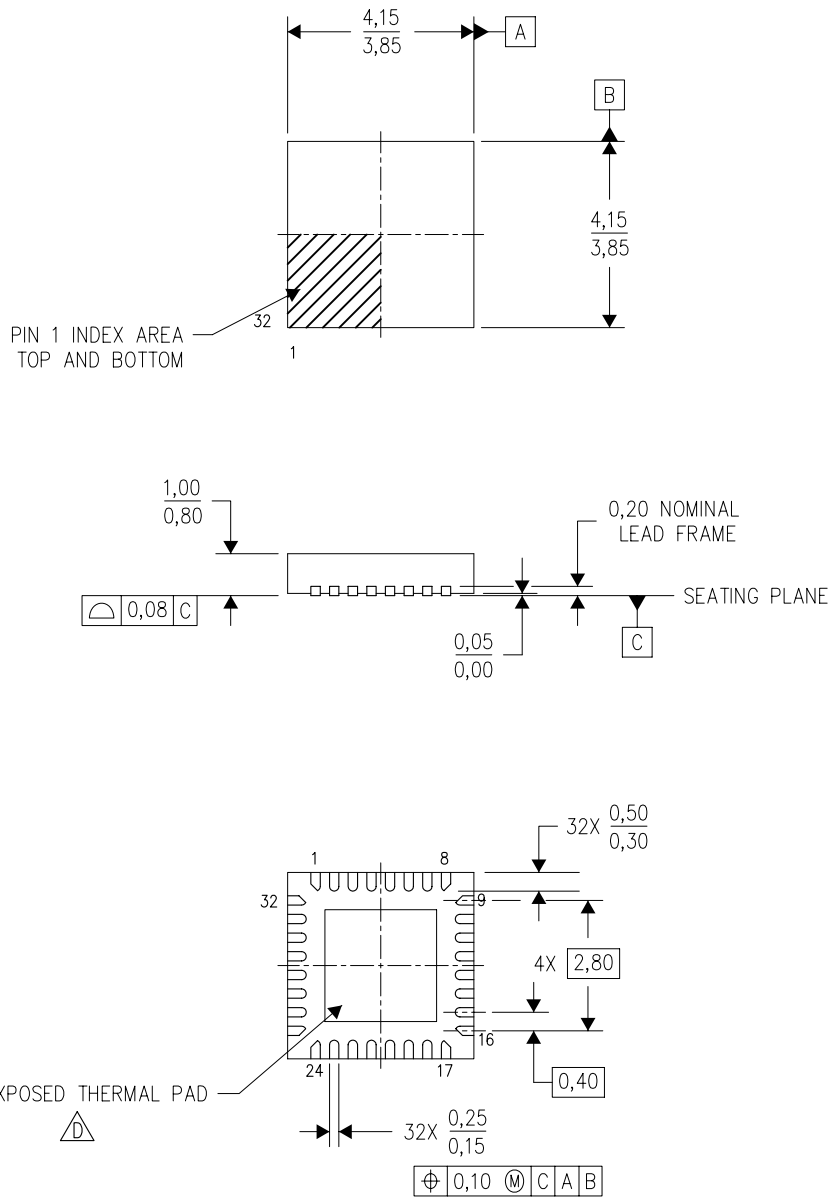


\*All dimensions are nominal


| Device        | Package Type | Package Drawing | Pins | SPQ  | Length (mm) | Width (mm) | Height (mm) |
|---------------|--------------|-----------------|------|------|-------------|------------|-------------|
| TRS3253EIRSMR | VQFN         | RSM             | 32   | 3000 | 367.0       | 367.0      | 35.0        |

RSM (S-PVQFN-N32)

PLASTIC QUAD FLATPACK NO-LEAD



4207560/B 03/10

- NOTES:
- A. All linear dimensions are in millimeters. Dimensioning and tolerancing per ASME Y14.5M-1994.
  - B. This drawing is subject to change without notice.
  - C. QFN (Quad Flatpack No-Lead) Package configuration.
  -  The package thermal pad must be soldered to the board for thermal and mechanical performance. See the Product Data Sheet for details regarding the exposed thermal pad dimensions.



RSM (S-PVQFN-N32)

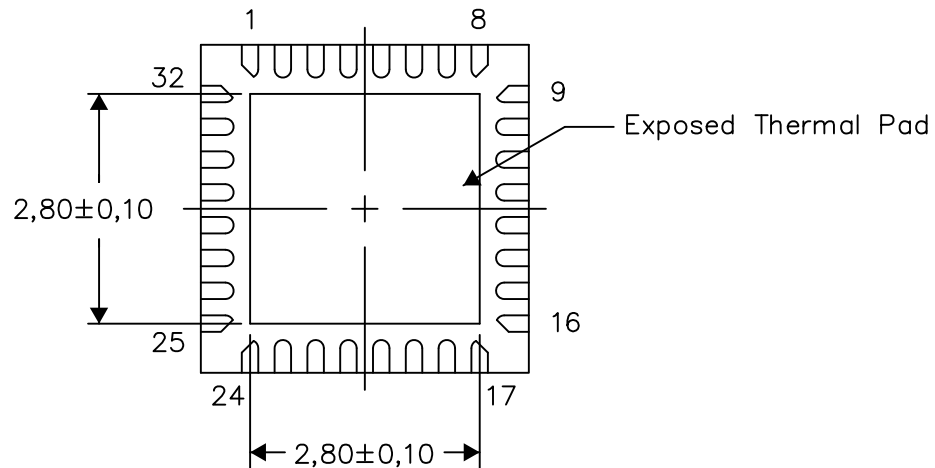
PLASTIC QUAD FLATPACK NO-LEAD

## THERMAL INFORMATION

This package incorporates an exposed thermal pad that is designed to be attached directly to an external heatsink. The thermal pad must be soldered directly to the printed circuit board (PCB). After soldering, the PCB can be used as a heatsink. In addition, through the use of thermal vias, the thermal pad can be attached directly to the appropriate copper plane shown in the electrical schematic for the device, or alternatively, can be attached to a special heatsink structure designed into the PCB. This design optimizes the heat transfer from the integrated circuit (IC).

For information on the Quad Flatpack No-Lead (QFN) package and its advantages, refer to Application Report, QFN/SON PCB Attachment, Texas Instruments Literature No. SLUA271. This document is available at [www.ti.com](http://www.ti.com).

The exposed thermal pad dimensions for this package are shown in the following illustration.



Bottom View

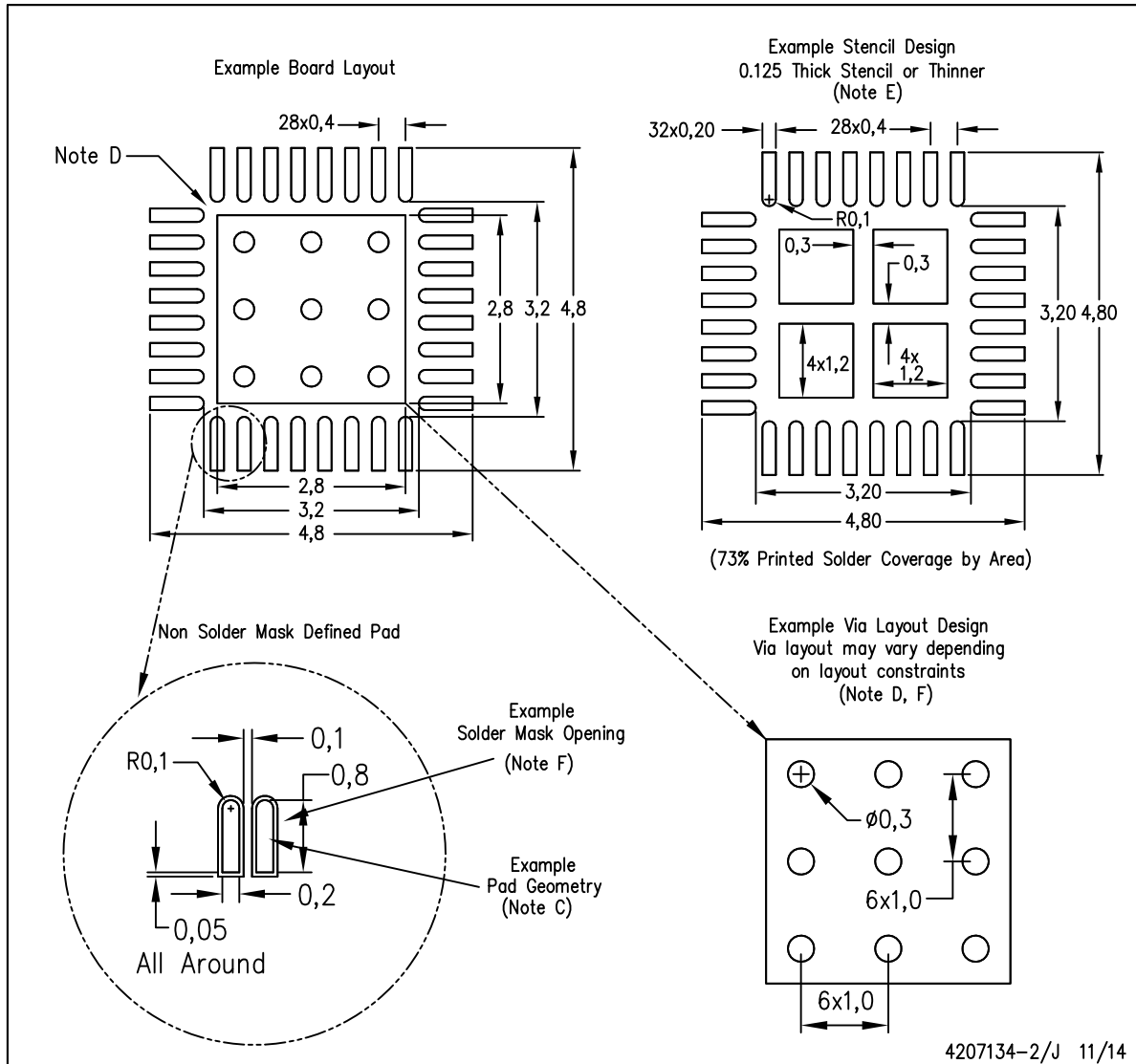
Exposed Thermal Pad Dimensions

4207868-2/1 07/14

NOTE: All linear dimensions are in millimeters

## RSM (S-PVQFN-N32)

## PLASTIC QUAD FLATPACK NO-LEAD



- NOTES:
- All linear dimensions are in millimeters.
  - This drawing is subject to change without notice.
  - Publication IPC-7351 is recommended for alternate designs.
  - This package is designed to be soldered to a thermal pad on the board. Refer to Application Note, Quad Flat-Pack Packages, Texas Instruments Literature No. SLUA271, and also the Product Data Sheets for specific thermal information, via requirements, and recommended board layout. These documents are available at [www.ti.com](http://www.ti.com) <<http://www.ti.com>>.
  - Laser cutting apertures with trapezoidal walls and also rounding corners will offer better paste release. Customers should contact their board assembly site for stencil design recommendations. Refer to IPC 7525 for stencil design considerations.
  - Customers should contact their board fabrication site for recommended solder mask tolerances and via tenting recommendations for vias placed in the thermal pad.

## IMPORTANT NOTICE

Texas Instruments Incorporated (TI) reserves the right to make corrections, enhancements, improvements and other changes to its semiconductor products and services per JESD46, latest issue, and to discontinue any product or service per JESD48, latest issue. Buyers should obtain the latest relevant information before placing orders and should verify that such information is current and complete.

TI's published terms of sale for semiconductor products (<http://www.ti.com/sc/docs/stdterms.htm>) apply to the sale of packaged integrated circuit products that TI has qualified and released to market. Additional terms may apply to the use or sale of other types of TI products and services.

Reproduction of significant portions of TI information in TI data sheets is permissible only if reproduction is without alteration and is accompanied by all associated warranties, conditions, limitations, and notices. TI is not responsible or liable for such reproduced documentation. Information of third parties may be subject to additional restrictions. Resale of TI products or services with statements different from or beyond the parameters stated by TI for that product or service voids all express and any implied warranties for the associated TI product or service and is an unfair and deceptive business practice. TI is not responsible or liable for any such statements.

Buyers and others who are developing systems that incorporate TI products (collectively, "Designers") understand and agree that Designers remain responsible for using their independent analysis, evaluation and judgment in designing their applications and that Designers have full and exclusive responsibility to assure the safety of Designers' applications and compliance of their applications (and of all TI products used in or for Designers' applications) with all applicable regulations, laws and other applicable requirements. Designer represents that, with respect to their applications, Designer has all the necessary expertise to create and implement safeguards that (1) anticipate dangerous consequences of failures, (2) monitor failures and their consequences, and (3) lessen the likelihood of failures that might cause harm and take appropriate actions. Designer agrees that prior to using or distributing any applications that include TI products, Designer will thoroughly test such applications and the functionality of such TI products as used in such applications.

TI's provision of technical, application or other design advice, quality characterization, reliability data or other services or information, including, but not limited to, reference designs and materials relating to evaluation modules, (collectively, "TI Resources") are intended to assist designers who are developing applications that incorporate TI products; by downloading, accessing or using TI Resources in any way, Designer (individually or, if Designer is acting on behalf of a company, Designer's company) agrees to use any particular TI Resource solely for this purpose and subject to the terms of this Notice.

TI's provision of TI Resources does not expand or otherwise alter TI's applicable published warranties or warranty disclaimers for TI products, and no additional obligations or liabilities arise from TI providing such TI Resources. TI reserves the right to make corrections, enhancements, improvements and other changes to its TI Resources. TI has not conducted any testing other than that specifically described in the published documentation for a particular TI Resource.

Designer is authorized to use, copy and modify any individual TI Resource only in connection with the development of applications that include the TI product(s) identified in such TI Resource. NO OTHER LICENSE, EXPRESS OR IMPLIED, BY ESTOPPEL OR OTHERWISE TO ANY OTHER TI INTELLECTUAL PROPERTY RIGHT, AND NO LICENSE TO ANY TECHNOLOGY OR INTELLECTUAL PROPERTY RIGHT OF TI OR ANY THIRD PARTY IS GRANTED HEREIN, including but not limited to any patent right, copyright, mask work right, or other intellectual property right relating to any combination, machine, or process in which TI products or services are used. Information regarding or referencing third-party products or services does not constitute a license to use such products or services, or a warranty or endorsement thereof. Use of TI Resources may require a license from a third party under the patents or other intellectual property of the third party, or a license from TI under the patents or other intellectual property of TI.

TI RESOURCES ARE PROVIDED "AS IS" AND WITH ALL FAULTS. TI DISCLAIMS ALL OTHER WARRANTIES OR REPRESENTATIONS, EXPRESS OR IMPLIED, REGARDING RESOURCES OR USE THEREOF, INCLUDING BUT NOT LIMITED TO ACCURACY OR COMPLETENESS, TITLE, ANY EPIDEMIC FAILURE WARRANTY AND ANY IMPLIED WARRANTIES OF MERCHANTABILITY, FITNESS FOR A PARTICULAR PURPOSE, AND NON-INFRINGEMENT OF ANY THIRD PARTY INTELLECTUAL PROPERTY RIGHTS. TI SHALL NOT BE LIABLE FOR AND SHALL NOT DEFEND OR INDEMNIFY DESIGNER AGAINST ANY CLAIM, INCLUDING BUT NOT LIMITED TO ANY INFRINGEMENT CLAIM THAT RELATES TO OR IS BASED ON ANY COMBINATION OF PRODUCTS EVEN IF DESCRIBED IN TI RESOURCES OR OTHERWISE. IN NO EVENT SHALL TI BE LIABLE FOR ANY ACTUAL, DIRECT, SPECIAL, COLLATERAL, INDIRECT, PUNITIVE, INCIDENTAL, CONSEQUENTIAL OR EXEMPLARY DAMAGES IN CONNECTION WITH OR ARISING OUT OF TI RESOURCES OR USE THEREOF, AND REGARDLESS OF WHETHER TI HAS BEEN ADVISED OF THE POSSIBILITY OF SUCH DAMAGES.

Unless TI has explicitly designated an individual product as meeting the requirements of a particular industry standard (e.g., ISO/TS 16949 and ISO 26262), TI is not responsible for any failure to meet such industry standard requirements.

Where TI specifically promotes products as facilitating functional safety or as compliant with industry functional safety standards, such products are intended to help enable customers to design and create their own applications that meet applicable functional safety standards and requirements. Using products in an application does not by itself establish any safety features in the application. Designers must ensure compliance with safety-related requirements and standards applicable to their applications. Designer may not use any TI products in life-critical medical equipment unless authorized officers of the parties have executed a special contract specifically governing such use. Life-critical medical equipment is medical equipment where failure of such equipment would cause serious bodily injury or death (e.g., life support, pacemakers, defibrillators, heart pumps, neurostimulators, and implantables). Such equipment includes, without limitation, all medical devices identified by the U.S. Food and Drug Administration as Class III devices and equivalent classifications outside the U.S.

TI may expressly designate certain products as completing a particular qualification (e.g., Q100, Military Grade, or Enhanced Product). Designers agree that it has the necessary expertise to select the product with the appropriate qualification designation for their applications and that proper product selection is at Designers' own risk. Designers are solely responsible for compliance with all legal and regulatory requirements in connection with such selection.

Designer will fully indemnify TI and its representatives against any damages, costs, losses, and/or liabilities arising out of Designer's non-compliance with the terms and provisions of this Notice.