

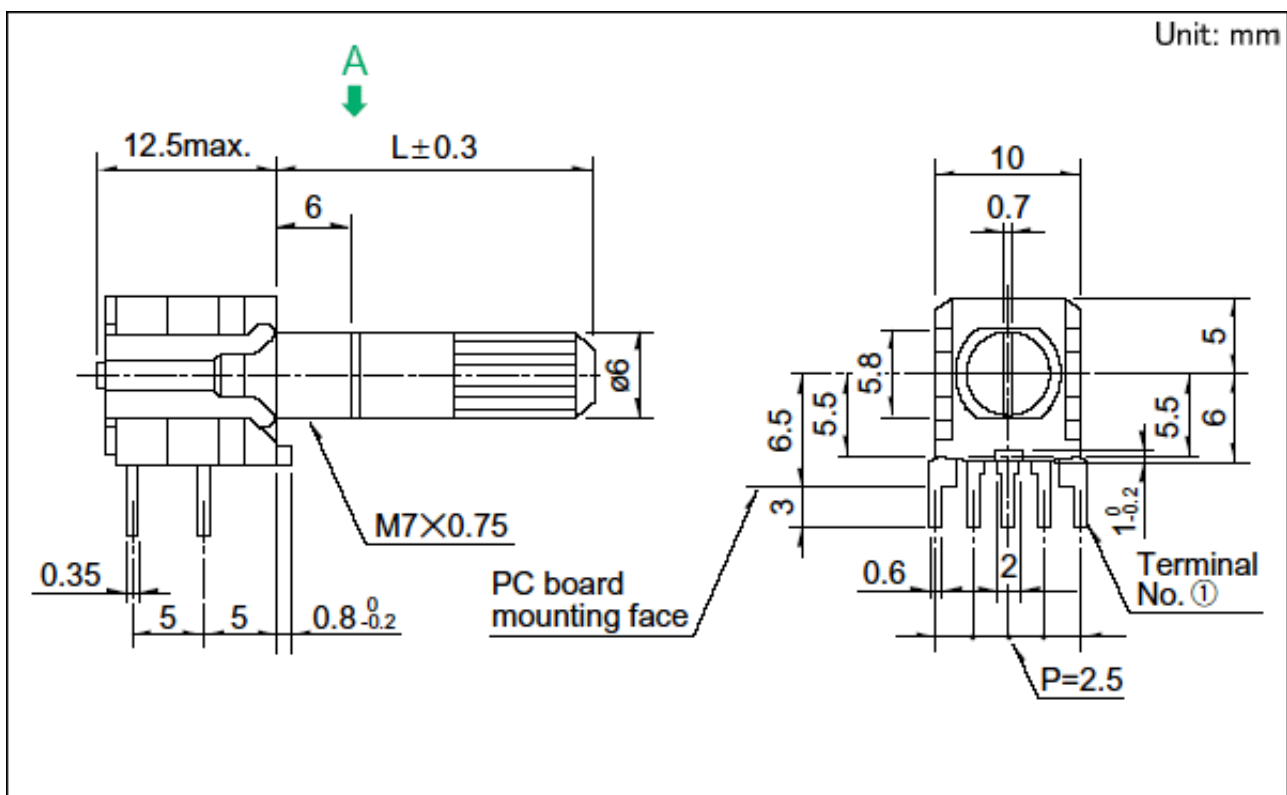


6-positions Horizontal Type SRBM Series

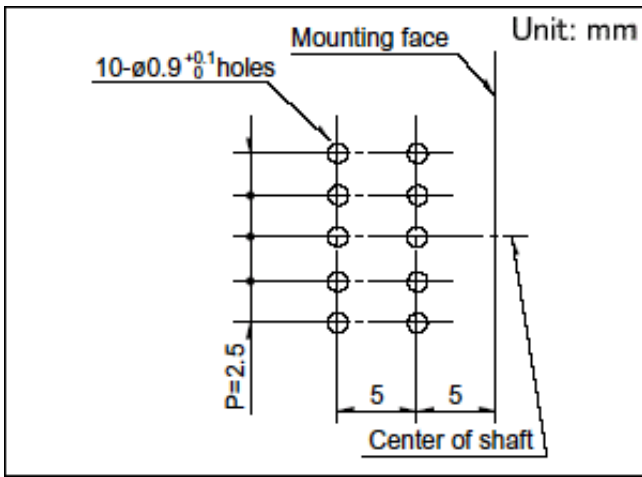
Number of wafer		1	
Poles		2	
Positions		3	
Changeover angle		30±3°	
Changeover timing		Non shorting	
Rotational torque		40±20mN·m	
Actuator configuration		18-tooth serration	
Actuator length		L: 15mm	
Operating temperature range		-30°C to +85°C	
Rating (max.)/(min.) (Resistive load)		0.1A 16V DC/50µA 3V DC	
Electrical performance	Contact resistance (Initial performance/After lifetime)	50mΩ max./150mΩ max.	
	Insulation resistance	100MΩ min. 100V DC	
	Voltage proof	100V AC for 1 minute	
Mechanical performance	Terminal strength	5N for 1 minute	
	Actuator strength	Rotational direction	0.5N·m
		Push direction	100N
	Wobble of actuator (load at the tip of shaft: 5N)	Measuring position from mounting surface	10mm
		Shaft wobble (max. value)	0.17mm max.
	Applicable mounting dimension	15mm	

Durability	Operating life without load	10,000 cycles 100mΩ max.
	Operating life with load (at max. rated load)	10,000 cycles 150mΩ max.
Environmental performance	Cold	-40±2°C for 96h
	Dry heat	85±2°C for 96h
	Damp heat	40±2°C, 90 to 95%RH for 96h
Minimum order unit (pcs.)	Japan	360
	Export	1,800

Dimensions

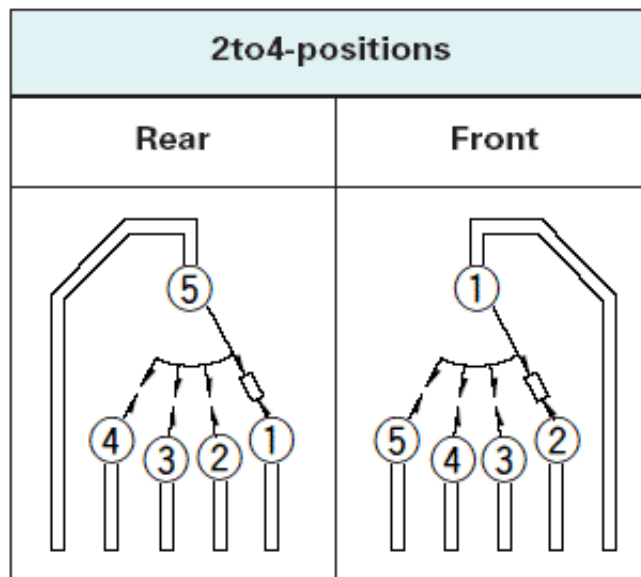
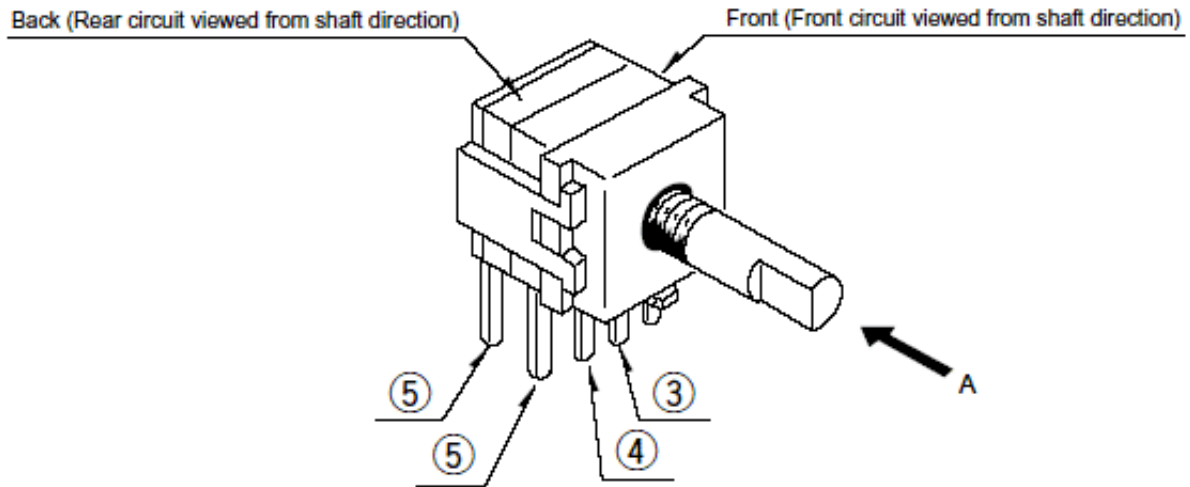


Mounting Hole Dimensions



Viewed from direction A in the dimensions.

Circuit Diagram and Dummy Terminals



Dummy Terminals	
Number of positions	3
Front	⑤
Rear	④

1. Viewed from direction A.
2. For positions 3, 1 section consists of 2-poles.

Packing Specifications

Tray

Number of packages 1 case / Japan 360
 (pcs.)

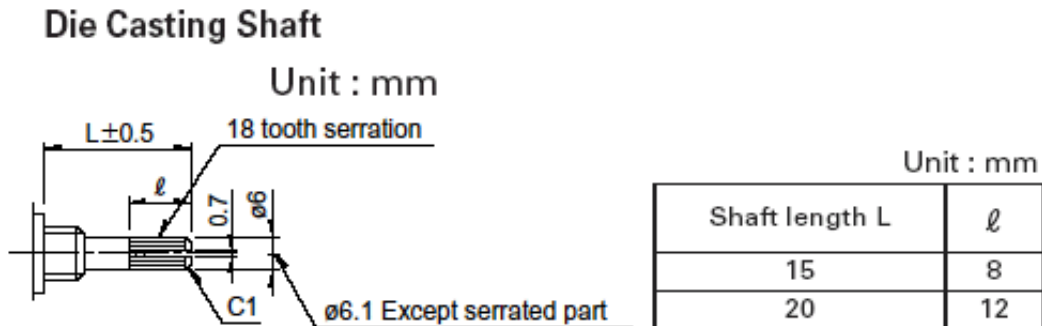
1 case / export
packing 1,800

Export package measurements (mm) 400×270×290

Shaft Style

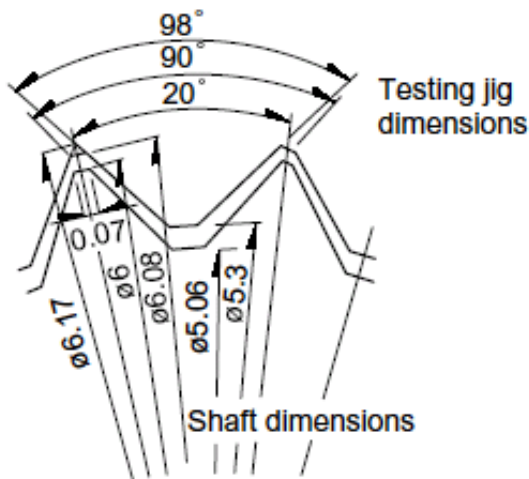
*** 18-tooth Serration Shaft**

The shaft shows the position in which it is turned fully counterclockwise.

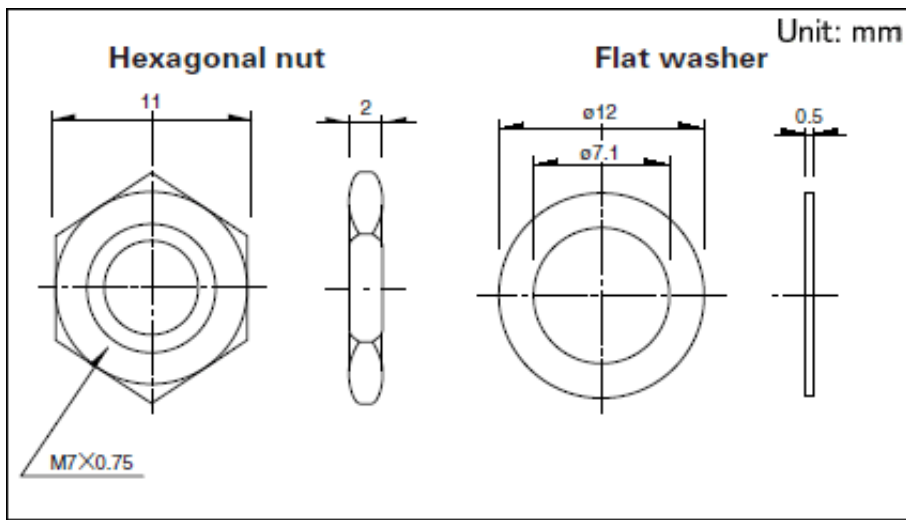


Details About Serration

- (1) The mold dimensions of standard serration and the dimensions of test jigs are as shown in the figure at left.
- (2) Position of the serration bottom
When the shaft is turned fully counterclockwise, the position of the serration bottom is on the AA line.
- (3) Slitting angle
The slitting angle (position) is not specified.



Attached Parts



The following parts are included with the product.

Soldering Conditions

Reference for Dip Soldering

Items	Preheating temperature	100°C max.
	Preheating time	60s max.
Dip soldering	Soldering temperature	260±5°C
	Duration of immersion	5s max.

Reference for Hand Soldering

Soldering temperature	350±10°C
Soldering time	3+1/0s

Notes are common to this series/models.

1. This site catalog shows only outline specifications. When using the products, please obtain formal specifications for supply.
2. All the axis are die casting shafts.
3. Please place purchase orders per minimum order unit (integer).
4. Products other than those listed in the above chart are also available. Please contact us for details.