



1.5mm-travel, with External Knob Type SSAC Series

Travel		1.5mm
Actuator directions		Horizontal
Actuator length		3.2mm
Poles		2
Positions		2
Operating force		2.5±1.5N
Mounting method		Press-in
Changeover timing		Non shorting
Soldering		Manual, Dip
Operating temperature range		-10°C to +60°C
Rating (max.)/(min.) (Resistive load)		1mA 5V DC/50μA 3V DC
Electrical performance	Contact resistance (Initial performance/After lifetime)	100mΩ max./200mΩ max.
	Insulation resistance	100MΩ min. 100V DC
	Voltage proof	100V AC for 1 minute
Mechanical performance	Terminal strength	5N for 1 minute
	Actuator strength	Operating direction 5N
		Pulling direction 5N
Durability	Operating life without load	10,000 cycles 200mΩ max.
	Operating life with load (at max. rated load)	10,000 cycles 200mΩ max.
Environmental performance	Cold	-20°C 96h

Dry heat

85°C 96h

Damp heat

40°C, 90 to 95%RH 96h

Minimum order unit (pcs.)

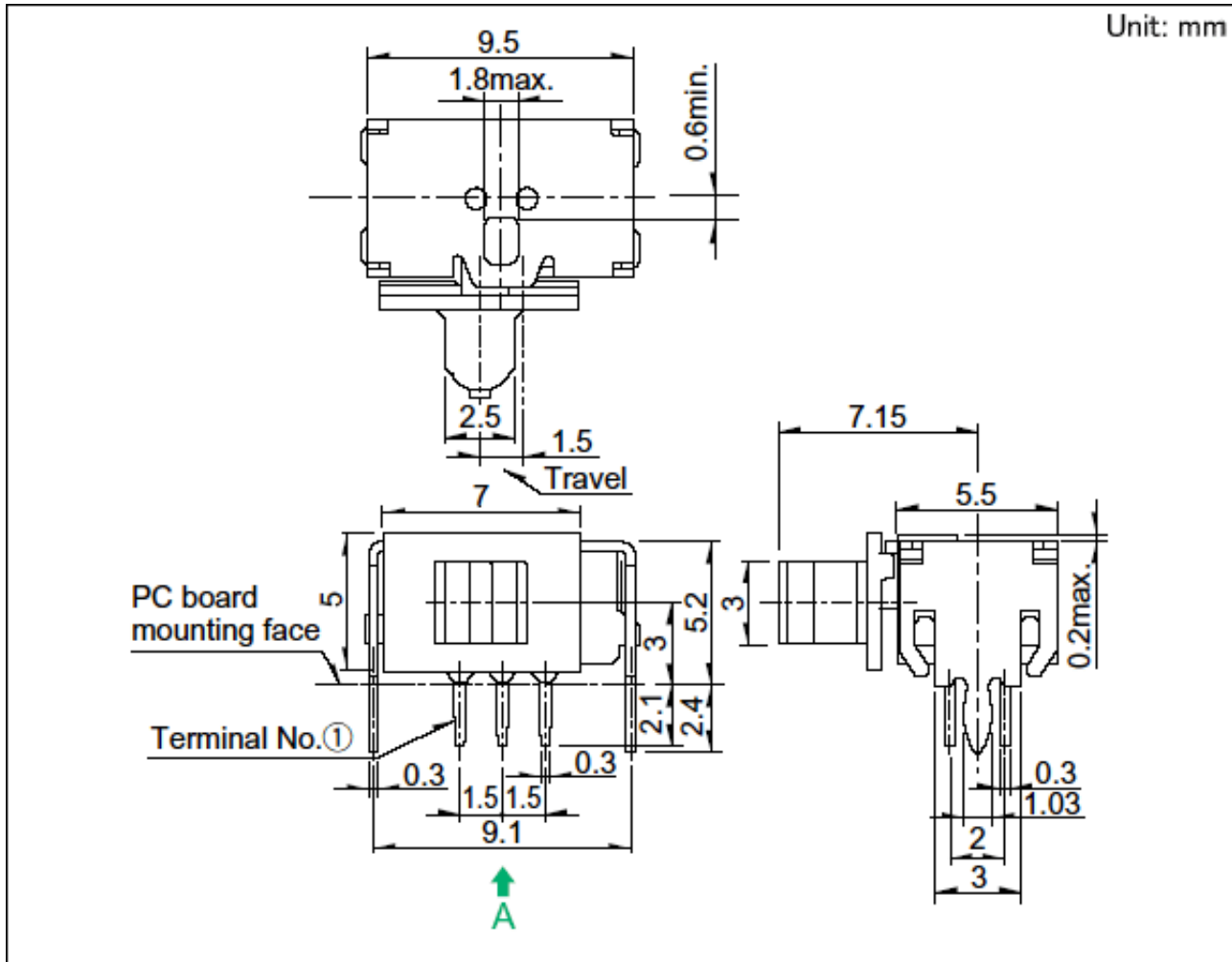
Japan

1,600

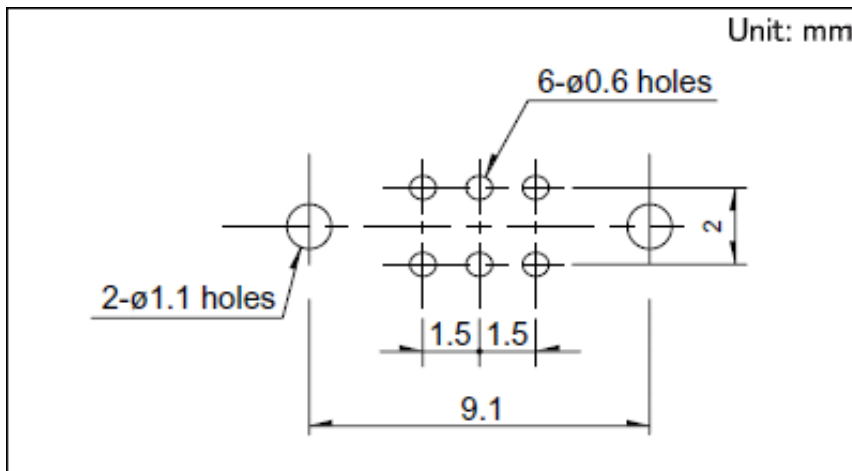
Export

8,000

Dimensions

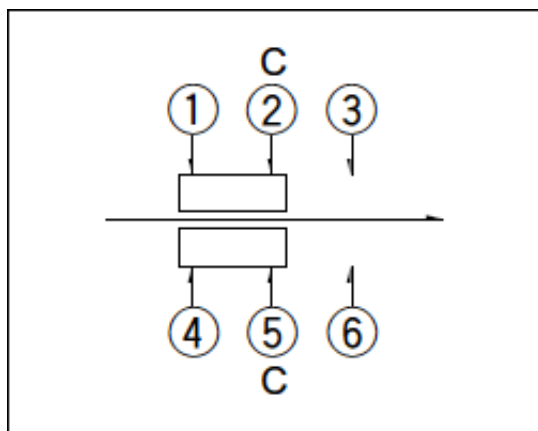


Mounting Hole Dimensions



Viewed from direction A in the dimensions.

Circuit Diagram



Packing Specifications

Bulk

Number of packages (pcs.)	1 case / Japan	1,600
	1 case / export packing	8,000

Export package measurements (mm)	400×270×290
----------------------------------	-------------

Soldering Conditions

Reference for Dip Soldering

Items	Preheating temperature	100°C max.
	Preheating time	60s max.
Dip soldering	Soldering temperature	260±5°C
	Duration of immersion	5±1s

Reference for Hand Soldering

Soldering temperature	300±5°C
Soldering time	2s max.

Notes are common to this series/models.

1. This site catalog shows only outline specifications. When using the products, please obtain formal specifications for supply.
2. Please place purchase orders per minimum order unit (integer).
3. Products other than those listed in the above chart are also available. Please contact us for details.