



14mm Size Insulated Shaft Snap-in Type RK14K Series

Part number	RK14K1230A2X	
Number of resistor elements	Dual-unit (Not applicable to DC)	
Mounting direction	Vertical type	
Bushing	Without	
Shaft types	Flat	
Length of the shaft LM1	15mm	
Center detent	Without	
Total resistance	10k Ω	
Resistance taper	1B	
Operating temperature range	-10°C to +70°C	
Electrical Performance	Total resistance tolerance	$\pm 20\%$
	Rated power	0.05W
	Maximum operating voltage	50V AC for AC only
	Gang error	Within 2dB at center
	Insulation resistance	100M Ω min. 250V DC
	Voltage proof	300V AC for 1 minute
Mechanical Performance	Total rotational angle	300° $\pm 5^\circ$
	Rotational torque	3 to 20mN·m
	Stopper strength	0.6N·m

Push-pull strength 80N max.

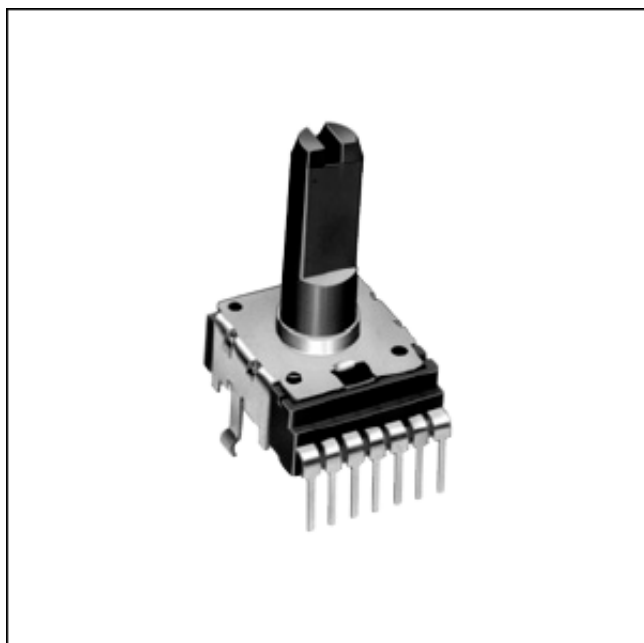
Vibration 10 to 55 to 10Hz/min., the amplitude is 1.5mm for all the frequencies, in the 3 direction of X, Y and Z and for 2 hours respectively

Durability Operating life 15,000 cycles

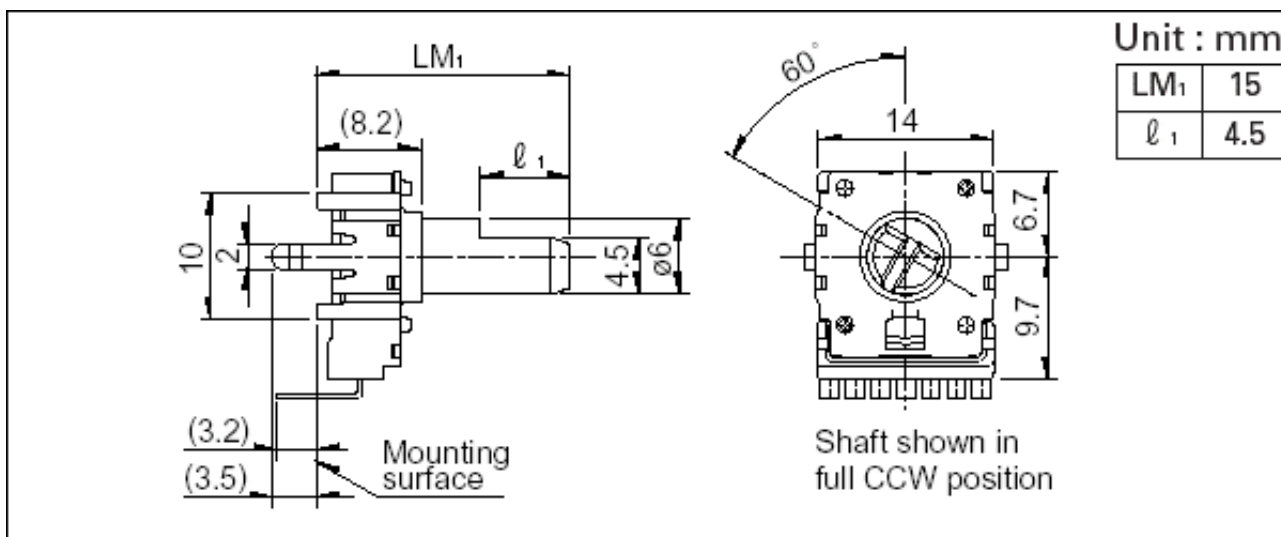
Minimum order unit Japan 1,200
(pcs.)

Export 2,400

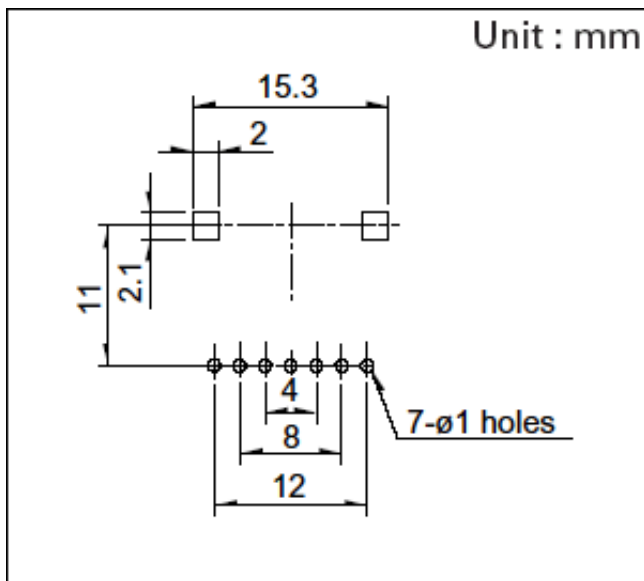
Photo



Dimensions

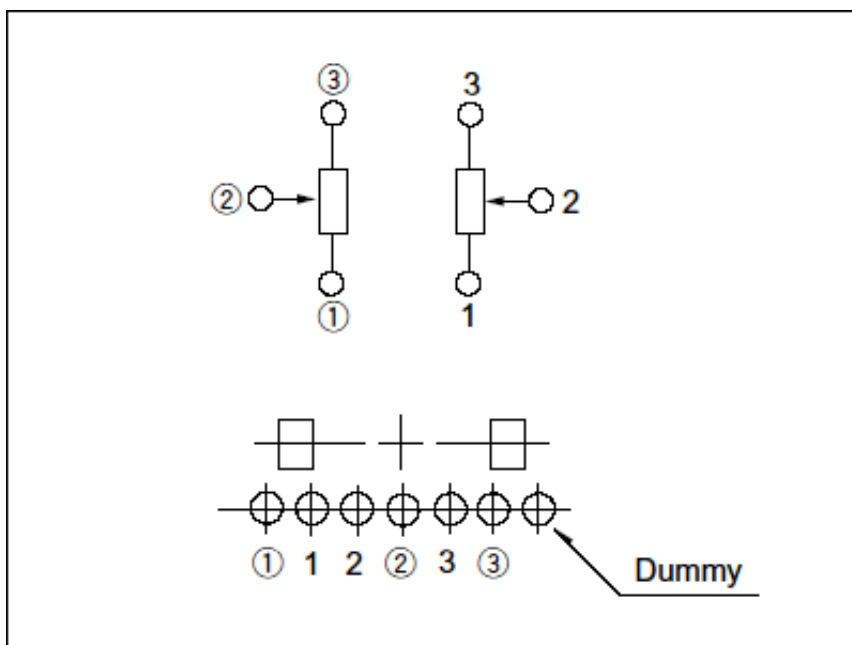


Mounting Hole Dimensions



Viewed from mounting side.

Terminal Layout / Circuit Diagram



Packing Specifications

Tray

Number of packages 1 case / Japan 1,200
(pcs.)

1 case / export packing 2,400

Export package measurements (mm) 374×532×240

Soldering Conditions

Reference for Hand Soldering

Tip temperature 350°C max.

Soldering time	3s max.
----------------	---------

No. of solders	1 time
----------------	--------

Notes are common to this series/models.

1. This site catalog shows only outline specifications. When using the products, please obtain formal specifications for supply.
2. Please place purchase orders per minimum order unit (integer).
3. Products other than those listed in above products are also available. Please contact us for details.
4. Nut and washer are not attached. Please specify if required.